

	<b>STREETLIGHTS</b> <b>DECORATIVE MAINTENANCE STREETLIGHT</b>	<b>1919</b>
		Sheet 1 of 1
Rev: 08/01/20		

**1919**


**DECORATIVE  
MAINTENANCE  
STREETLIGHT**

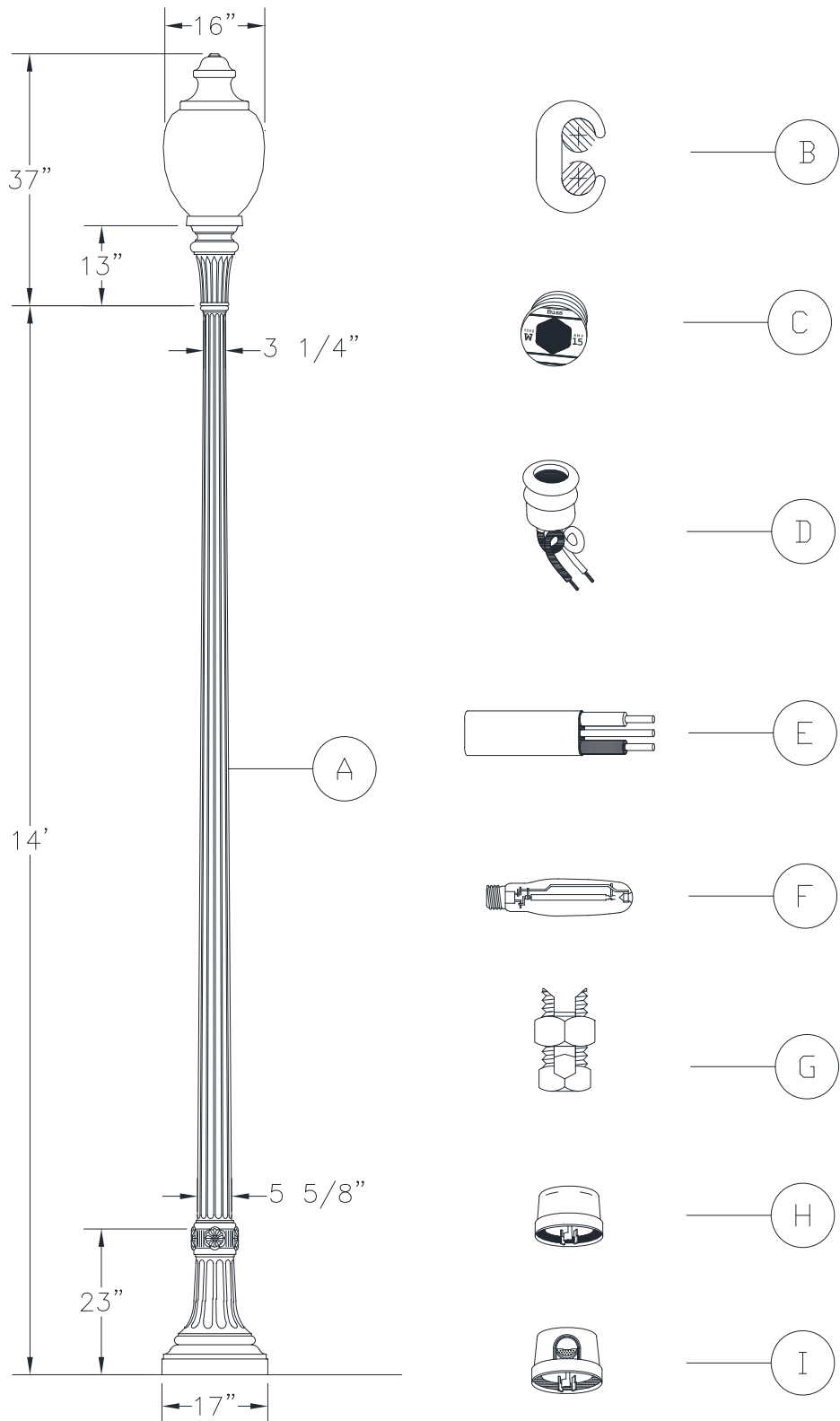
**CONTAINS**

- 1919-40 BARTON HILLS ASSEMBLY**
- 1919-42 MOUNT BONELL ASSEMBLY**
- 1919-44 PECAN STREET ASSEMBLY**
- 1919-46 SUNSET VALLEY ASSEMBLY**
- 1919-47 SYMPHONY SQUARE ASSEMBLY**
- 1919-48 TOWN LAKE ASSEMBLY**

<b>1919-40</b>
Sheet 1 of 25

**STREETLIGHTS**  
**DECORATIVE MAINTENANCE STREETLIGHT**  
**BARTON HILLS**

  
 Rev: 08/01/20



	<b>STREETLIGHTS</b> <b>DECORATIVE MAINTENANCE STREETLIGHT</b> <b>BARTON HILLS</b>	<b>1919-40</b>
		Sheet 2 of 25
Rev: 08/01/20		

**MU**

**MU-ID MU-REF MU-DESCRIPTION**

BHBLK100WHPS120V 19194001 BARTON HILLS BLK 100W HPS 120V

ID	CU-REF	CU-DESC	QTY	MU-REF
A	19190501	DEC BARTON HILLS BLK HPS 100W 120V	1	19194001
B	19287003	CLAMP COMPRESSION CU #10 TO #12	3	19194001
C	19284520	MIDGET FUSE 5 AMP 600V AC	1	19194001
D	19284505	FUSE HOLDER BREAKAWAY 1IN AND 1OUT	1	19194001
E	12080402	WIRE # 12 CU 2C W/GRD	20	19194001
F	19282012	LAMP HPS MOGUL BASE 100W	1	19194001
G	12450411	CONN SPLIT BOLT 6 SOLID CU	1	19194001
H	19282072	CONTROLLER COMMUNICATION DECORATIVE	1	19194001

**CU-ID CU-REF CU-DESCRIPTION**

DECBHGRNHPS100W208V 19190529 DEC BARTON HILLS GRN HPS 100W 208V

ID	PART NUM	PART DESC	QTY	CU-REF
1	0000018479	STREET LIGHT DEC BARTON HILLS GREEN HPS 100W 208V ASSY	1 EA	19190529
2	0000008496	WASHER SLPA FLAT HOT DIP GALV FOR 1 INCH BOLT	4 EA	19190529

DECBHGRNFIX100WHPS208V 19190729 DEC BARTON HILLS GRN FIX 100W HPS 208V

ID	PART NUM	PART DESC	QTY	CU-REF
1	0000018495	STREET LIGHT DEC BARTON HILLS GRN FIXTURE HPS 100W 208V	1 EA	19190729

DECBHGRNPOLE 19190752 DEC BARTON HILLS GRN POLE

ID	PART NUM	PART DESC	QTY	CU-REF
1	0000018506	POLE ST LIGHT DEC BARTON HILLS GREEN	1 EA	19190752
2	0000008496	WASHER SLPA FLAT HOT DIP GALV FOR 1 INCH BOLT	4 EA	19190752

**MU-ID MU-REF MU-DESCRIPTION**

BHBLK250WHPS120V 19194002 BARTON HILLS BLK 250W HPS 120V

ID	CU-REF	CU-DESC	QTY	MU-REF
A	19190502	DEC BARTON HILLS BLK HPS 250W 120V	1	19194002
B	19287003	CLAMP COMPRESSION CU #10 TO #12	3	19194002
C	19284520	MIDGET FUSE 5 AMP 600V AC	1	19194002
D	19284505	FUSE HOLDER BREAKAWAY 1IN AND 1OUT	1	19194002
E	12080402	WIRE # 12 CU 2C W/GRD	20	19194002
F	19282014	LAMP HPS MOGUL BASE 250W	1	19194002
G	12450411	CONN SPLIT BOLT 6 SOLID CU	1	19194002
H	19282072	CONTROLLER COMMUNICATION DECORATIVE	1	19194002















Rev: 08/01/20

**STREETLIGHTS**  
**DECORATIVE MAINTENANCE STREETLIGHT**  
**BARTON HILLS**

**1919-40**

Sheet 8 of 25

**MU-ID**

**MU-REF**

**MU-DESCRIPTION**

BHBLK250WHPS240V

19194010

BARTON HILLS BLK 250W HPS 240V

ID	CU-REF	CU-DESC	QTY	MU-REF
A	19190510	DEC BARTON HILLS BLK HPS 250W 240V	1	19194010
B	19287003	CLAMP COMPRESSION CU #10 TO #12	6	19194010
C	19284520	MIDGET FUSE 5 AMP 600V AC	2	19194010
D	19284505	FUSE HOLDER BREAKAWAY 1IN AND 1OUT	2	19194010
E	12080402	WIRE # 12 CU 2C W/GRD	20	19194010
F	19282014	LAMP HPS MOGUL BASE 250W	1	19194010
G	12450411	CONN SPLIT BOLT 6 SOLID CU	1	19194010
H	19282072	CONTROLLER COMMUNICATION DECORATIVE	1	19194010

**CU-ID**

**CU-REF**

**CU-DESCRIPTION**

DECBHBLKHPS250W240V

19190510

DEC BARTON HILLS BLK HPS 250W 240V

ID	PART NUM	PART DESC	QTY	CU-REF
1	0000018427	STREET LIGHT DEC BARTON HILLS BLACK HPS 250W 240V ASSY	1 EA	19190510
2	0000008496	WASHER SLPA FLAT HOT DIP GALV FOR 1 INCH BOLT	4 EA	19190510

DECBHBLKFIX250WHPS240V

19190710

DEC BARTON HILLS BLK FIX 250W HPS 240V

ID	PART NUM	PART DESC	QTY	CU-REF
1	0000018440	STREET LIGHT DEC BARTON HILLS BLK FIXTURE HPS 250W 240V	1 EA	19190710

DECBHBLKPOLE

19190750

DEC BARTON HILLS BLK POLE

ID	PART NUM	PART DESC	QTY	CU-REF
1	0000018444	POLE, STREET LIGHT DECORATIVE BARTON HILLS BLK	1 EA	19190750
2	0000008496	WASHER SLPA FLAT HOT DIP GALV FOR 1 INCH BOLT	4 EA	19190750

**MU-ID**

**MU-REF**

**MU-DESCRIPTION**

BHBLK100WMH240V

19194011

BARTON HILLS BLK 100W MH 240V

ID	CU-REF	CU-DESC	QTY	MU-REF
A	19190511	DEC BARTON HILLS BLK MH 100W 240V	1	19194011
B	19287003	CLAMP COMPRESSION CU #10 TO #12	6	19194011
C	19284520	MIDGET FUSE 5 AMP 600V AC	2	19194011
D	19284505	FUSE HOLDER BREAKAWAY 1IN AND 1OUT	2	19194011
E	12080402	WIRE # 12 CU 2C W/GRD	20	19194011
F	19282002	LAMP MTL HALIDE MOGUL BASE 100W	1	19194011
G	12450411	CONN SPLIT BOLT 6 SOLID CU	1	19194011
H	19282072	CONTROLLER COMMUNICATION DECORATIVE	1	19194011

<b>1919-40</b>	<b>STREETLIGHTS</b>	
Sheet 9 of 25	<b>DECORATIVE MAINTENANCE STREETLIGHT</b>	
	<b>BARTON HILLS</b>	
		Rev: 08/01/20

**CU-ID                                      CU-REF                                      CU-DESCRIPTION**

DECBHBLKMH100W240V                      19190511                      DEC BARTON HILLS BLK MH 100W 240V

ID	PART NUM	PART DESC	QTY		CU-REF
1	0000018429	STREET LIGHT DEC BARTON HILLS BLACK MH 100W 240V ASSY	1	EA	19190511
2	0000008496	WASHER SLPA FLAT HOT DIP GALV FOR 1 INCH BOLT	4	EA	19190511

DECBHBLKFIX100WMH240V                      19190711                      DEC BARTON HILLS BLK FIX 100W MH 240V

ID	PART NUM	PART DESC	QTY		CU-REF
1	0000018437	STREET LIGHT DEC BARTON HILLS BLK FIXTURE MH 100W 240V	1	EA	19190711

DECBHBLKPOLE                                      19190750                      DEC BARTON HILLS BLK POLE

ID	PART NUM	PART DESC	QTY		CU-REF
1	0000018444	POLE, STREET LIGHT DECORATIVE BARTON HILLS BLK	1	EA	19190750
2	0000008496	WASHER SLPA FLAT HOT DIP GALV FOR 1 INCH BOLT	4	EA	19190750

**MU-ID                                      MU-REF                                      MU-DESCRIPTION**

BHBLK250WMH240V                                      19194012                      BARTON HILLS BLK 250W MH 240V

ID	CU-REF	CU-DESC	QTY		MU-REF
A	19190512	DEC BARTON HILLS BLK MH 250W 240V	1		19194012
B	19287003	CLAMP COMPRESSION CU #10 TO #12	6		19194012
C	19284520	MIDGET FUSE 5 AMP 600V AC	2		19194012
D	19284505	FUSE HOLDER BREAKAWAY 1IN AND 1OUT	2		19194012
E	12080402	WIRE # 12 CU 2C W/GRD	20		19194012
F	19282004	LAMP MTL HALIDE MOGUL BASE 250W	1		19194012
G	12450411	CONN SPLIT BOLT 6 SOLID CU	1		19194012
H	19282072	CONTROLLER COMMUNICATION DECORATIVE	1		19194012

**CU-ID                                      CU-REF                                      CU-DESCRIPTION**

DECBHBLKMH250W240V                      19190512                      DEC BARTON HILLS BLK MH 250W 240V

ID	PART NUM	PART DESC	QTY		CU-REF
1	0000018423	STREET LIGHT DEC BARTON HILLS BLACK MH 250W 240V ASSY	1	EA	19190512
2	0000008496	WASHER SLPA FLAT HOT DIP GALV FOR 1 INCH BOLT	4	EA	19190512

DECBHBLKFIX250WMH240V                      19190712                      DEC BARTON HILLS BLK FIX 250W MH 240V

ID	PART NUM	PART DESC	QTY		CU-REF
1	0000018431	STREET LIGHT DEC BARTON HILLS BLK FIXTURE MH 250W 240V	1	EA	19190712

DECBHBLKPOLE                                      19190750                      DEC BARTON HILLS BLK POLE

ID	PART NUM	PART DESC	QTY		CU-REF
1	0000018444	POLE, STREET LIGHT DECORATIVE BARTON HILLS BLK	1	EA	19190750
2	0000008496	WASHER SLPA FLAT HOT DIP GALV FOR 1 INCH BOLT	4	EA	19190750

 Rev: 08/01/20	<b>STREETLIGHTS</b> DECORATIVE MAINTENANCE STREETLIGHT <b>BARTON HILLS</b>	<b>1919-40</b> Sheet 10 of 25

<b>MU- ID</b>	<b>MU- REF</b>	<b>MU- DESCRIPTION</b>
BHBRN100WHPS120V	19194013	BARTON HILLS BRN 100W HPS 120V

ID	CU- REF	CU- DESC	QTY	MU- REF
A	19190513	DEC BARTON HILLS BRN HPS 100W 120V	1	19194013
B	19287003	CLAMP COMPRESSION CU #10 TO #12	3	19194013
C	19284520	MIDGET FUSE 5 AMP 600V AC	1	19194013
D	19284505	FUSE HOLDER BREAKAWAY 1IN AND 1OUT	1	19194013
E	12080402	WIRE # 12 CU 2C W/GRD	20	19194013
F	19282012	LAMP HPS MOGUL BASE 100W	1	19194013
G	12450411	CONN SPLIT BOLT 6 SOLID CU	1	19194013
H	19282072	CONTROLLER COMMUNICATION DECORATIVE	1	19194013

<b>CU- ID</b>	<b>CU- REF</b>	<b>CU- DESCRIPTION</b>
DECBHBRNHPS100W120V	19190513	DEC BARTON HILLS BRN HPS 100W 120V

ID	PART NUM	PART DESC	QTY	CU- REF
1	0000018448	STREET LIGHT DEC BARTON HILLS BROWN HPS 100W 120V ASSY	1	EA 19190513
2	0000008496	WASHER SLPA FLAT HOT DIP GALV FOR 1 INCH BOLT	4	EA 19190513

DECBHBRNFX100WHPS120V	19190713	DEC BARTON HILLS BRN FIX 100W HPS 120V
-----------------------	----------	--

ID	PART NUM	PART DESC	QTY	CU- REF
1	0000018460	STREET LIGHT DEC BARTON HILLS BRN FIXTURE HPS 100W 120V	1	EA 19190713

DECBHBRNPOLE	19190751	DEC BARTON HILLS BRN POLE
--------------	----------	---------------------------

ID	PART NUM	PART DESC	QTY	CU- REF
1	0000018447	POLE, ST LIGHT DECORATIVE BARTON HILLS BRN	1	EA 19190751
2	0000008496	WASHER SLPA FLAT HOT DIP GALV FOR 1 INCH BOLT	4	EA 19190751

<b>MU- ID</b>	<b>MU- REF</b>	<b>MU- DESCRIPTION</b>
BHBRN250WHPS120V	19194014	BARTON HILLS BRN 250W HPS 120V

ID	CU- REF	CU- DESC	QTY	MU- REF
A	19190514	DEC BARTON HILLS BRN HPS 250W 120V	1	19194014
B	19287003	CLAMP COMPRESSION CU #10 TO #12	3	19194014
C	19284520	MIDGET FUSE 5 AMP 600V AC	1	19194014
D	19284505	FUSE HOLDER BREAKAWAY 1IN AND 1OUT	1	19194014
E	12080402	WIRE # 12 CU 2C W/GRD	20	19194014
F	19282014	LAMP HPS MOGUL BASE 250W	1	19194014
G	12450411	CONN SPLIT BOLT 6 SOLID CU	1	19194014
H	19282072	CONTROLLER COMMUNICATION DECORATIVE	1	19194014



	<b>STREETLIGHTS</b>	<b>1919-40</b>
	DECORATIVE MAINTENANCE STREETLIGHT	Sheet 12 of 25
Rev: 08/01/20	<b>BARTON HILLS</b>	

<b>MU-ID</b>	<b>MU-REF</b>	<b>MU-DESCRIPTION</b>
BHBRN250WMH120V	19194016	BARTON HILLS BRN 250W MH 120V

ID	CU-REF	CU-DESC	QTY	MU-REF
A	19190516	DEC BARTON HILLS BRN MH 250W 120V	1	19194016
B	19287003	CLAMP COMPRESSION CU #10 TO #12	3	19194016
C	19284520	MIDGET FUSE 5 AMP 600V AC	1	19194016
D	19284505	FUSE HOLDER BREAKAWAY 1IN AND 1OUT	1	19194016
E	12080402	WIRE # 12 CU 2C W/GRD	20	19194016
F	19282004	LAMP MTL HALIDE MOGUL BASE 250W	1	19194016
G	12450411	CONN SPLIT BOLT 6 SOLID CU	1	19194016
H	19282072	CONTROLLER COMMUNICATION DECORATIVE	1	19194016

<b>CU-ID</b>	<b>CU-REF</b>	<b>CU-DESCRIPTION</b>
DECBHBRNMH250W120V	19190516	DEC BARTON HILLS BRN MH 250W 120V

ID	PART NUM	PART DESC	QTY	CU-REF
1	0000018457	STREET LIGHT DEC BARTON HILLS BROWN MH 250W 120V ASSY	1 EA	19190516
2	0000008496	WASHER SLPA FLAT HOT DIP GALV FOR 1 INCH BOLT	4 EA	19190516

DECBHBRNFIX250WMH120V	19190716	DEC BARTON HILLS BRN FIX 250W MH 120V
-----------------------	----------	---------------------------------------

ID	PART NUM	PART DESC	QTY	CU-REF
1	0000018475	STREET LIGHT DEC BARTON HILLS BRN FIXTURE MH 250W 120V	1 EA	19190716

DECBHBRNPOLE	19190751	DEC BARTON HILLS BRN POLE
--------------	----------	---------------------------

ID	PART NUM	PART DESC	QTY	CU-REF
1	0000018447	POLE, ST LIGHT DECORATIVE BARTON HILLS BRN	1 EA	19190751
2	0000008496	WASHER SLPA FLAT HOT DIP GALV FOR 1 INCH BOLT	4 EA	19190751

<b>MU-ID</b>	<b>MU-REF</b>	<b>MU-DESCRIPTION</b>
BHBRN100WHPS208V	19194017	BARTON HILLS BRN 100W HPS 208V

ID	CU-REF	CU-DESC	QTY	MU-REF
A	19190517	DEC BARTON HILLS BRN HPS 100W 208V	1	19194017
B	19287003	CLAMP COMPRESSION CU #10 TO #12	6	19194017
C	19284520	MIDGET FUSE 5 AMP 600V AC	2	19194017
D	19284505	FUSE HOLDER BREAKAWAY 1IN AND 1OUT	2	19194017
E	12080402	WIRE # 12 CU 2C W/GRD	20	19194017
F	19282012	LAMP HPS MOGUL BASE 100W	1	19194017
G	12450411	CONN SPLIT BOLT 6 SOLID CU	1	19194017
H	19282072	CONTROLLER COMMUNICATION DECORATIVE	1	19194017

<b>1919-40</b>	STREETLIGHTS	
Sheet 13 of 25	DECORATIVE MAINTENANCE STREETLIGHT	
	BARTON HILLS	

Rev: 08/01/20

**CU-ID    CU-REF    CU-DESCRIPTION**

DECBHBRNHPS100W208V                    19190517                    DEC BARTON HILLS BRN HPS 100W 208V

ID	PART NUM	PART DESC	QTY	CU-REF
1	0000018449	STREET LIGHT DEC BARTON HILLS BROWN HPS100W 208V ASSY	1 EA	19190517
2	0000008496	WASHER SLPA FLAT HOT DIP GALV FOR 1 INCH BOLT	4 EA	19190517

DECBHBRNFIX100WHPS208V                    19190717                    DEC BARTON HILLS BRN FIX 100W HPS 208V

ID	PART NUM	PART DESC	QTY	CU-REF
1	0000018475	STREET LIGHT DEC BARTON HILLS BRN FIXTURE MH 250W 120V	1 EA	19190716

DECBHBRNPOLE    19190751                    DEC BARTON HILLS BRN POLE

ID	PART NUM	PART DESC	QTY	CU-REF
1	0000018447	POLE, ST LIGHT DECORATIVE BARTON HILLS BRN	1 EA	19190751
2	0000008496	WASHER SLPA FLAT HOT DIP GALV FOR 1 INCH BOLT	4 EA	19190751

**MU-ID    MU-REF    MU-DESCRIPTION**

BHBRN250WHPS208V    19194018                    BARTON HILLS BRN 250W HPS 208V

ID	CU-REF	CU-DESC	QTY	MU-REF
A	19190518	DEC BARTON HILLS BRN HPS 250W 208V	1	19194018
B	19287003	CLAMP COMPRESSION CU #10 TO #12	6	19194018
C	19284520	MIDGET FUSE 5 AMP 600V AC	2	19194018
D	19284505	FUSE HOLDER BREAKAWAY 1IN AND 1OUT	2	19194018
E	12080402	WIRE # 12 CU 2C W/GRD	20	19194018
F	19282014	LAMP HPS MOGUL BASE 250W	1	19194018
G	12450411	CONN SPLIT BOLT 6 SOLID CU	1	19194018
H	19282072	CONTROLLER COMMUNICATION DECORATIVE	1	19194018

**CU-ID    CU-REF    CU-DESCRIPTION**

DECBHBRNHPS250W208V                    19190518                    DEC BARTON HILLS BRN HPS 250W 208V

ID	PART NUM	PART DESC	QTY	CU-REF
1	0000018455	STREET LIGHT DEC BARTON HILLS BROWN HPS 250W 208V ASSY	1 EA	19190518
2	0000008496	WASHER SLPA FLAT HOT DIP GALV FOR 1 INCH BOLT	4 EA	19190518

DECBHBRNFIX250WHPS208V                    19190718                    DEC BARTON HILLS BRN FIX 250W HPS 208V

ID	PART NUM	PART DESC	QTY	CU-REF
1	0000018473	STREET LIGHT DEC BARTON HILLS BRN FIXTURE HPS 250W 208V	1 EA	19190718

DECBHBRNPOLE    19190751                    DEC BARTON HILLS BRN POLE

ID	PART NUM	PART DESC	QTY	CU-REF
1	0000018447	POLE, ST LIGHT DECORATIVE BARTON HILLS BRN	1 EA	19190751
2	0000008496	WASHER SLPA FLAT HOT DIP GALV FOR 1 INCH BOLT	4 EA	19190751

 Rev: 08/01/20	<b>STREETLIGHTS</b> <b>DECORATIVE MAINTENANCE STREETLIGHT</b> <b>BARTON HILLS</b>	<b>1919-40</b> Sheet 14 of 25

<b>MU- ID</b>	<b>MU- REF</b>	<b>MU- DESCRIPTION</b>
---------------	----------------	------------------------

BHBRN100WMH208V	19194019	BARTON HILLS BRN 100W MH 208V
-----------------	----------	-------------------------------

ID	CU- REF	CU- DESC	QTY	MU- REF
A	19190519	DEC BARTON HILLS BRN MH 100W 208V	1	19194019
B	19287003	CLAMP COMPRESSION CU #10 TO #12	6	19194019
C	19284520	MIDGET FUSE 5 AMP 600V AC	2	19194019
D	19284505	FUSE HOLDER BREAKAWAY 1IN AND 1OUT	2	19194019
E	12080402	WIRE # 12 CU 2C W/GRD	20	19194019
F	19282002	LAMP MTL HALIDE MOGUL BASE 100W	1	19194019
G	12450411	CONN SPLIT BOLT 6 SOLID CU	1	19194019
H	19282072	CONTROLLER COMMUNICATION DECORATIVE	1	19194019

<b>CU- ID</b>	<b>CU- REF</b>	<b>CU- DESCRIPTION</b>
---------------	----------------	------------------------

DECBHBRNMH100W208V	19190519	DEC BARTON HILLS BRN MH 100W 208V
--------------------	----------	-----------------------------------

ID	PART NUM	PART DESC	QTY	CU- REF
1	0000018452	STREET LIGHT DEC BARTON HILLS BROWN MH 100W 208V ASSY	1	EA 19190519
2	0000008496	WASHER SLPA FLAT HOT DIP GALV FOR 1 INCH BOLT	4	EA 19190519

DECBHBRNFIX100WMH208V	19190719	DEC BARTON HILLS BRN FIX 100W MH 208V
-----------------------	----------	---------------------------------------

ID	PART NUM	PART DESC	QTY	CU- REF
1	0000018470	STREET LIGHT DEC BARTON HILLS BRN FIXTURE MH 100W 208V	1	EA 19190719

DECBHBRNPOLE	19190751	DEC BARTON HILLS BRN POLE
--------------	----------	---------------------------

ID	PART NUM	PART DESC	QTY	CU- REF
1	0000018447	POLE, ST LIGHT DECORATIVE BARTON HILLS BRN	1	EA 19190751
2	0000008496	WASHER SLPA FLAT HOT DIP GALV FOR 1 INCH BOLT	4	EA 19190751

<b>MU- ID</b>	<b>MU- REF</b>	<b>MU- DESCRIPTION</b>
---------------	----------------	------------------------

BHBRN250WMH208V	19194020	BARTON HILLS BRN 250W MH 208V
-----------------	----------	-------------------------------

ID	CU- REF	CU- DESC	QTY	MU- REF
A	19190520	DEC BARTON HILLS BRN MH 250W 208V	1	19194020
B	19287003	CLAMP COMPRESSION CU #10 TO #12	6	19194020
C	19284520	MIDGET FUSE 5 AMP 600V AC	2	19194020
D	19284505	FUSE HOLDER BREAKAWAY 1IN AND 1OUT	2	19194020
E	12080402	WIRE # 12 CU 2C W/GRD	20	19194020
F	19282004	LAMP MTL HALIDE MOGUL BASE 250W	1	19194020
G	12450411	CONN SPLIT BOLT 6 SOLID CU	1	19194020
H	19282072	CONTROLLER COMMUNICATION DECORATIVE	1	19194020







Rev: 08/01/20

**STREETLIGHTS**  
**DECORATIVE MAINTENANCE STREETLIGHT**  
**BARTON HILLS**

**1919-40**

Sheet 16 of 25

<b>MU- ID</b>	<b>MU- REF</b>	<b>MU- DESCRIPTION</b>
BHBRN250WHPS240V	19194022	BARTON HILLS BRN 250W HPS 240V

ID	CU- REF	CU- DESC	QTY	MU- REF
A	19190522	DEC BARTON HILLS BRN HPS 250W 240V	1	19194022
B	19287003	CLAMP COMPRESSION CU #10 TO #12	6	19194022
C	19284520	MIDGET FUSE 5 AMP 600V AC	2	19194022
D	19284505	FUSE HOLDER BREAKAWAY 1IN AND 1OUT	2	19194022
E	12080402	WIRE # 12 CU 2C W/GRD	20	19194022
F	19282014	LAMP HPS MOGUL BASE 250W	1	19194022
G	12450411	CONN SPLIT BOLT 6 SOLID CU	1	19194022
H	19282072	CONTROLLER COMMUNICATION DECORATIVE	1	19194022

<b>CU- ID</b>	<b>CU- REF</b>	<b>CU- DESCRIPTION</b>
DECBHBRNHPS250W240V	19190522	DEC BARTON HILLS BRN HPS 250W 240V

ID	PART NUM	PART DESC	QTY	CU- REF
1	0000018456	STREET LIGHT DEC BARTON HILLS BROWN HPS 250W 240V ASSY	1 EA	19190522
2	0000008496	WASHER SLPA FLAT HOT DIP GALV FOR 1 INCH BOLT	4 EA	19190522

DECBHBRNFX250WHPS240V	19190722	DEC BARTON HILLS BRN FIX 250W HPS 240V
-----------------------	----------	--

ID	PART NUM	PART DESC	QTY	CU- REF
1	0000018474	STREET LIGHT DEC BARTON HILLS BRN FIXTURE HPS 250W 240V	1 EA	19190722

DECBHBRNPOLE	19190751	DEC BARTON HILLS BRN POLE
--------------	----------	---------------------------

ID	PART NUM	PART DESC	QTY	CU- REF
1	0000018447	POLE, ST LIGHT DECORATIVE BARTON HILLS BRN	1 EA	19190751
2	0000008496	WASHER SLPA FLAT HOT DIP GALV FOR 1 INCH BOLT	4 EA	19190751

<b>MU- ID</b>	<b>MU- REF</b>	<b>MU- DESCRIPTION</b>
BHBRN100WMH240V	19194023	BARTON HILLS BRN 100W MH 240V

ID	CU- REF	CU- DESC	QTY	MU- REF
A	19190523	DEC BARTON HILLS BRN MH 100W 240V	1	19194023
B	19287003	CLAMP COMPRESSION CU #10 TO #12	6	19194023
C	19284520	MIDGET FUSE 5 AMP 600V AC	2	19194023
D	19284505	FUSE HOLDER BREAKAWAY 1IN AND 1OUT	2	19194023
E	12080402	WIRE # 12 CU 2C W/GRD	20	19194023
F	19282002	LAMP MTL HALIDE MOGUL BASE 100W	1	19194023
G	12450411	CONN SPLIT BOLT 6 SOLID CU	1	19194023
H	19282072	CONTROLLER COMMUNICATION DECORATIVE	1	19194023

Rev: 08/01/20

**CU-ID    CU-REF    CU-DESCRIPTION**

DECBHBRNMH100W240V                      19190523                      DEC BARTON HILLS BRN MH 100W 240V

ID	PART NUM	PART DESC	QTY		CU-REF
1	0000018453	STREET LIGHT DEC BARTON HILLS BROWN MH 100W 240V ASSY	1	EA	19190523
2	0000008496	WASHER SLPA FLAT HOT DIP GALV FOR 1 INCH BOLT	4	EA	19190523

DECBHBRNFIX100WMH240V                      19190723                      DEC BARTON HILLS BRN FIX 100W MH 240V

ID	PART NUM	PART DESC	QTY		CU-REF
1	0000018471	STREET LIGHT DEC BARTON HILLS BRN FIXTURE MH 100W 240V	1	EA	19190723

DECBHBRNPOLE                                      19190751                      DEC BARTON HILLS BRN POLE

ID	PART NUM	PART DESC	QTY		CU-REF
1	0000018447	POLE, ST LIGHT DECORATIVE BARTON HILLS BRN	1	EA	19190751
2	0000008496	WASHER SLPA FLAT HOT DIP GALV FOR 1 INCH BOLT	4	EA	19190751

**MU-ID    MU-REF    MU-DESCRIPTION**

BHBRN250WMH240V                                      19194024                      BARTON HILLS BRN 250W MH 240V

ID	CU-REF	CU-DESC	QTY		MU-REF
A	19190524	DEC BARTON HILLS BRN MH 250W 240V	1		19194024
B	19287003	CLAMP COMPRESSION CU #10 TO #12	6		19194024
C	19284520	MIDGET FUSE 5 AMP 600V AC	2		19194024
D	19284505	FUSE HOLDER BREAKAWAY 1IN AND 1OUT	2		19194024
E	12080402	WIRE # 12 CU 2C W/GRD	20		19194024
F	19282004	LAMP MTL HALIDE MOGUL BASE 250W	1		19194024
G	12450411	CONN SPLIT BOLT 6 SOLID CU	1		19194024
H	19282072	CONTROLLER COMMUNICATION DECORATIVE	1		19194024

**CU-ID    CU-REF    CU-DESCRIPTION**

DECBHBRNMH250W240V                      19190524                      DEC BARTON HILLS BRN MH 250W 240V

ID	PART NUM	PART DESC	QTY		CU-REF
1	0000018459	STREET LIGHT DEC BARTON HILLS BROWN MH 250W 240V ASSY	1	EA	19190524
2	0000008496	WASHER SLPA FLAT HOT DIP GALV FOR 1 INCH BOLT	4	EA	19190524

DECBHBRNFIX250WMH240V                      19190724                      DEC BARTON HILLS BRN FIX 250W MH 240V

ID	PART NUM	PART DESC	QTY		CU-REF
1	0000018477	STREETLIGHT DEC BARTON HILLS BRO FIXTURE 250W MH 240V	1	EA	19190724

DECBHBRNPOLE                                      19190751                      DEC BARTON HILLS BRN POLE

ID	PART NUM	PART DESC	QTY		CU-REF
1	0000018447	POLE, ST LIGHT DECORATIVE BARTON HILLS BRN	1	EA	19190751
2	0000008496	WASHER SLPA FLAT HOT DIP GALV FOR 1 INCH BOLT	4	EA	19190751

 Rev: 08/01/20	<b>STREETLIGHTS</b> <b>DECORATIVE MAINTENANCE STREETLIGHT</b> <b>BARTON HILLS</b>	<b>1919-40</b> Sheet 18 of 25

**MU- ID MU- REF MU- DESCRIPTION**

BHGRN100WHPS120V 19194025 BARTON HILLS GRN 100W HPS 120V

ID	CU-REF	CU-DESC	QTY	MU-REF
A	19190525	DEC BARTON HILLS GRN HPS 100W 120V	1	19194025
B	19287003	CLAMP COMPRESSION CU #10 TO #12	3	19194025
C	19284520	MIDGET FUSE 5 AMP 600V AC	1	19194025
D	19284505	FUSE HOLDER BREAKAWAY 1IN AND 1OUT	1	19194025
E	12080402	WIRE # 12 CU 2C W/GRD	20	19194025
F	19282012	LAMP HPS MOGUL BASE 100W	1	19194025
G	12450411	CONN SPLIT BOLT 6 SOLID CU	1	19194025
H	19282072	CONTROLLER COMMUNICATION DECORATIVE	1	19194025

**CU- ID CU- REF CU- DESCRIPTION**

DECBHGRNHP100W120V 19190525 DEC BARTON HILLS GRN HPS 100W 120V

ID	PART NUM	PART DESC	QTY	CU-REF
1	0000018478	STREET LIGHT DEC BARTON HILLS GREEN HPS 100W 120V ASSY	1 EA	19190525
2	0000008496	WASHER SLPA FLAT HOT DIP GALV FOR 1 INCH BOLT	4 EA	19190525

DECBHGRNFX100WHPS120V 19190725 DEC BARTON HILLS GRN FIX 100W HPS 120V

ID	PART NUM	PART DESC	QTY	CU-REF
1	0000018494	STREET LIGHT DEC BARTON HILLS GRN FIXTURE HPS 100W 120V	1 EA	19190725

DECBHGRNPOLE 19190752 DEC BARTON HILLS GRN POLE

ID	PART NUM	PART DESC	QTY	CU-REF
1	0000018506	POLE ST LIGHT DEC BARTON HILLS GREEN	1 EA	19190752
2	0000008496	WASHER SLPA FLAT HOT DIP GALV FOR 1 INCH BOLT	4 EA	19190752

**MU- ID MU- REF MU- DESCRIPTION**

BHGRN250WHPS120V 19194026 BARTON HILLS GRN 250W HPS 120V

ID	CU-REF	CU-DESC	QTY	MU-REF
A	19190526	DEC BARTON HILLS GRN HPS 250W 120V	1	19194026
B	19287003	CLAMP COMPRESSION CU #10 TO #12	3	19194026
C	19284520	MIDGET FUSE 5 AMP 600V AC	1	19194026
D	19284505	FUSE HOLDER BREAKAWAY 1IN AND 1OUT	1	19194026
E	12080402	WIRE # 12 CU 2C W/GRD	20	19194026
F	19282014	LAMP HPS MOGUL BASE 250W	1	19194026
G	12450411	CONN SPLIT BOLT 6 SOLID CU	1	19194026
H	19282072	CONTROLLER COMMUNICATION DECORATIVE	1	19194026

<b>1919-40</b>	<b>STREETLIGHTS</b> <b>DECORATIVE MAINTENANCE STREETLIGHT</b> <b>BARTON HILLS</b>	
Sheet 19 of 25		
		Rev: 08/01/20

**CU-ID                                      CU-REF                                      CU-DESCRIPTION**

DECBHGRNHPS250W120V                      19190526                      DEC BARTON HILLS GRN HPS 250W 120V

ID	PART NUM	PART DESC	QTY		CU-REF
1	0000018488	STREET LIGHT DEC BARTON HILLS GREEN HPS 250W 120V ASSY	1	EA	19190526
2	0000008496	WASHER SLPA FLAT HOT DIP GALV FOR 1 INCH BOLT	4	EA	19190526

DECBHGRNFIX250WHPS120V                      19190726                      DEC BARTON HILLS GRN FIX 250W HPS 120V

ID	PART NUM	PART DESC	QTY		CU-REF
1	0000018500	STREET LIGHT DEC BARTON HILLS GRN FIXTURE HPS 250W 120V	1	EA	19190726

DECBHGRNPOLE                                      19190752                      DEC BARTON HILLS GRN POLE

ID	PART NUM	PART DESC	QTY		CU-REF
1	0000018506	POLE ST LIGHT DEC BARTON HILLS GREEN	1	EA	19190752
2	0000008496	WASHER SLPA FLAT HOT DIP GALV FOR 1 INCH BOLT	4	EA	19190752

**MU-ID                                      MU-REF                                      MU-DESCRIPTION**

BHGRN100WMH120V                                      19194027                      BARTON HILLS GRN 100W MH 120V

ID	CU-REF	CU-DESC	QTY		MU-REF
A	19190527	DEC BARTON HILLS GRN MH 100W 120V	1		19194027
B	19287003	CLAMP COMPRESSION CU #10 TO #12	3		19194027
C	19284520	MIDGET FUSE 5 AMP 600V AC	1		19194027
D	19284505	FUSE HOLDER BREAKAWAY 1IN AND 1OUT	1		19194027
E	12080402	WIRE # 12 CU 2C W/GRD	20		19194027
F	19282002	LAMP MTL HALIDE MOGUL BASE 100W	1		19194027
G	12450411	CONN SPLIT BOLT 6 SOLID CU	1		19194027
H	19282072	CONTROLLER COMMUNICATION DECORATIVE	1		19194027

**CU-ID                                      CU-REF                                      CU-DESCRIPTION**

DECBHGRNMH100W120V                      19190527                      DEC BARTON HILLS GRN MH 100W 120V

ID	PART NUM	PART DESC	QTY		CU-REF
1	0000018481	STREET LIGHT DEC BARTON HILLS GREEN MH 100W 120V ASSY	1	EA	19190527
2	0000008496	WASHER SLPA FLAT HOT DIP GALV FOR 1 INCH BOLT	4	EA	19190527

DECBHGRNFIX100WMH120V                      19190727                      DEC BARTON HILLS GRN FIX 100W MH 120V

ID	PART NUM	PART DESC	QTY		CU-REF
1	0000018497	STREET LIGHT DEC BARTON HILLS GRN FIXTURE MH 100W 120V	1	EA	19190727

DECBHGRNPOLE                                      19190752                      DEC BARTON HILLS GRN POLE

ID	PART NUM	PART DESC	QTY		CU-REF
1	0000018506	POLE ST LIGHT DEC BARTON HILLS GREEN	1	EA	19190752
2	0000008496	WASHER SLPA FLAT HOT DIP GALV FOR 1 INCH BOLT	4	EA	19190752

 Rev: 08/01/20	<b>STREETLIGHTS</b> DECORATIVE MAINTENANCE STREETLIGHT <b>BARTON HILLS</b>	<b>1919-40</b> Sheet 20 of 25

**MU- ID MU- REF MU- DESCRIPTION**

BHGRN250WMH120V 19194028 BARTON HILLS GRN 250W MH 120V

ID	CU-REF	CU-DESC	QTY	MU-REF
A	19190528	DEC BARTON HILLS GRN MH 250W 120V	1	19194028
B	19287003	CLAMP COMPRESSION CU #10 TO #12	3	19194028
C	19284520	MIDGET FUSE 5 AMP 600V AC	1	19194028
D	19284505	FUSE HOLDER BREAKAWAY 1IN AND 1OUT	1	19194028
E	12080402	WIRE # 12 CU 2C W/GRD	20	19194028
F	19282004	LAMP MTL HALIDE MOGUL BASE 250W	1	19194028
G	12450411	CONN SPLIT BOLT 6 SOLID CU	1	19194028
H	19282072	CONTROLLER COMMUNICATION DECORATIVE	1	19194028

**CU- ID CU- REF CU- DESCRIPTION**

DECBHGRNMH250W120V 19190528 DEC BARTON HILLS GRN MH 250W 120V

ID	PART NUM	PART DESC	QTY	CU-REF
1	0000018491	STREET LIGHT DEC BARTON HILLS GREEN MH 250W 120V ASSY	1 EA	19190528
2	0000008496	WASHER SLPA FLAT HOT DIP GALV FOR 1 INCH BOLT	4 EA	19190528

DECBHGRNFIX250WMH120V 19190728 DEC BARTON HILLS GRN FIX 250W MH 120V

ID	PART NUM	PART DESC	QTY	CU-REF
1	0000018503	STREET LIGHT DEC BARTON HILLS GRN FIXTURE MH 250W 120V	1 EA	19190728

DECBHGRNPOLE 19190752 DEC BARTON HILLS GRN POLE

ID	PART NUM	PART DESC	QTY	CU-REF
1	0000018506	POLE ST LIGHT DEC BARTON HILLS GREEN	1 EA	19190752
2	0000008496	WASHER SLPA FLAT HOT DIP GALV FOR 1 INCH BOLT	4 EA	19190752

**MU- ID MU- REF MU- DESCRIPTION**

BHGRN100WHPS208V 19194029 BARTON HILLS GRN 100W HPS 208V

ID	CU-REF	CU-DESC	QTY	MU-REF
A	19190529	DEC BARTON HILLS GRN HPS 100W 208V	1	19194029
B	19287003	CLAMP COMPRESSION CU #10 TO #12	6	19194029
C	19284520	MIDGET FUSE 5 AMP 600V AC	2	19194029
D	19284505	FUSE HOLDER BREAKAWAY 1IN AND 1OUT	2	19194029
E	12080402	WIRE # 12 CU 2C W/GRD	20	19194029
F	19282012	LAMP HPS MOGUL BASE 100W	1	19194029
G	12450411	CONN SPLIT BOLT 6 SOLID CU	1	19194029
H	19282072	CONTROLLER COMMUNICATION DECORATIVE	1	19194029



 <b>AUSTIN ENERGY</b>	<b>STREETLIGHTS</b> <b>DECORATIVE MAINTENANCE STREETLIGHT</b>	<b>1919-40</b>
	<b>BARTON HILLS</b>	Sheet 22 of 25
Rev: 08/01/20		

**MU- ID MU- REF MU- DESCRIPTION**

BHGRN100WMH208V 19194031 BARTON HILLS GRN 100W MH 208V

ID	CU- REF	CU- DESC	QTY	MU- REF
A	19190531	DEC BARTON HILLS GRN MH 100W 208V	1	19194031
B	19287003	CLAMP COMPRESSION CU #10 TO #12	6	19194031
C	19284520	MIDGET FUSE 5 AMP 600V AC	2	19194031
D	19284505	FUSE HOLDER BREAKAWAY 1IN AND 1OUT	2	19194031
E	12080402	WIRE # 12 CU 2C W/GRD	20	19194031
F	19282002	LAMP MTL HALIDE MOGUL BASE 100W	1	19194031
G	12450411	CONN SPLIT BOLT 6 SOLID CU	1	19194031
H	19282072	CONTROLLER COMMUNICATION DECORATIVE	1	19194031

**CU- ID CU- REF CU- DESCRIPTION**

DECBHGRNMH100W208V 19190531 DEC BARTON HILLS GRN MH 100W 208V

ID	PART NUM	PART DESC	QTY	CU- REF
1	0000018482	STREET LIGHT DEC BARTON HILLS GREEN MH 100W 208V ASSY	1 EA	19190531
2	0000008496	WASHER SLPA FLAT HOT DIP GALV FOR 1 INCH BOLT	4 EA	19190531

DECBHGRNFX100WMH208V 19190731 DEC BARTON HILLS GRN FIX 100W MH 208V

ID	PART NUM	PART DESC	QTY	CU- REF
1	0000018498	STREET LIGHT DEC BARTON HILLS GRN FIXTURE MH 100W 208V	1 EA	19190731

DECBHGRNPOLE 19190752 DEC BARTON HILLS GRN POLE

ID	PART NUM	PART DESC	QTY	CU- REF
1	0000018506	POLE ST LIGHT DEC BARTON HILLS GREEN	1 EA	19190752
2	0000008496	WASHER SLPA FLAT HOT DIP GALV FOR 1 INCH BOLT	4 EA	19190752

**MU- ID MU- REF MU- DESCRIPTION**

BHGRN250WMH208V 19194032 BARTON HILLS GRN 250W MH 208V

ID	CU- REF	CU- DESC	QTY	MU- REF
A	19190532	DEC BARTON HILLS GRN MH 250W 208V	1	19194032
B	19287003	CLAMP COMPRESSION CU #10 TO #12	6	19194032
C	19284520	MIDGET FUSE 5 AMP 600V AC	2	19194032
D	19284505	FUSE HOLDER BREAKAWAY 1IN AND 1OUT	2	19194032
E	12080402	WIRE # 12 CU 2C W/GRD	20	19194032
F	19282004	LAMP MTL HALIDE MOGUL BASE 250W	1	19194032
G	12450411	CONN SPLIT BOLT 6 SOLID CU	1	19194032
H	19282072	CONTROLLER COMMUNICATION DECORATIVE	1	19194032

1919-40	<b>STREETLIGHTS</b>	
Sheet 23 of 25	<b>DECORATIVE MAINTENANCE STREETLIGHT</b>	
	<b>BARTON HILLS</b>	
		Rev: 08/01/20

**CU-ID    CU-REF    CU-DESCRIPTION**

DECBHGRNMH250W208V                          19190532    DEC BARTON HILLS GRN MH 250W 208V

ID	PART NUM	PART DESC	QTY	EA	CU-REF
1	0000018492	STREET LIGHT DEC BARTON HILLS GREEN MH 250W 208V ASSY	1	EA	19190532
2	0000008496	WASHER SLPA FLAT HOT DIP GALV FOR 1 INCH BOLT	4	EA	19190532

DECBHGRNFIX250WMH208V                          19190732    DEC BARTON HILLS GRN FIX 250W MH 208V

ID	PART NUM	PART DESC	QTY	EA	CU-REF
1	0000018504	STREET LIGHT DEC BARTON HILLS GRN FIXTURE MH 250W 208V	1	EA	19190732

DECBHGRNPOLE    19190752    DEC BARTON HILLS GRN POLE

ID	PART NUM	PART DESC	QTY	EA	CU-REF
1	0000018506	POLE ST LIGHT DEC BARTON HILLS GREEN	1	EA	19190752
2	0000008496	WASHER SLPA FLAT HOT DIP GALV FOR 1 INCH BOLT	4	EA	19190752

**MU-ID    MU-REF    MU-DESCRIPTION**

BHGRN100WHPS240V    19194033    BARTON HILLS GRN 100W HPS 240V

ID	CU-REF	CU-DESC	QTY	MU-REF
A	19190533	DEC BARTON HILLS GRN HPS 100W 240V	1	19194033
B	19287003	CLAMP COMPRESSION CU #10 TO #12	6	19194033
C	19284520	MIDGET FUSE 5 AMP 600V AC	2	19194033
D	19284505	FUSE HOLDER BREAKAWAY 1IN AND 1OUT	2	19194033
E	12080402	WIRE # 12 CU 2C W/GRD	20	19194033
F	19282012	LAMP HPS MOGUL BASE 100W	1	19194033
G	12450411	CONN SPLIT BOLT 6 SOLID CU	1	19194033
H	19282072	CONTROLLER COMMUNICATION DECORATIVE	1	19194033

**CU-ID    CU-REF    CU-DESCRIPTION**

DECBHGRNHPS100W240V                          19190533    DEC BARTON HILLS GRN HPS 100W 240V

ID	PART NUM	PART DESC	QTY	EA	CU-REF
1	0000018480	STREET LIGHT DEC BARTON HILLS GREEN HPS 100W 240V ASSY	1	EA	19190533
2	0000008496	WASHER SLPA FLAT HOT DIP GALV FOR 1 INCH BOLT	4	EA	19190533

DECBHGRNFIX100WHPS240V                          19190733    DEC BARTON HILLS GRN FIX 100W HPS 240V

ID	PART NUM	PART DESC	QTY	EA	CU-REF
1	0000018496	STREET LIGHT DEC BARTON HILLS GRN FIXTURE HPS 100W 240V	1	EA	19190733

DECBHGRNPOLE    19190752    DEC BARTON HILLS GRN POLE

ID	PART NUM	PART DESC	QTY	EA	CU-REF
1	0000018506	POLE ST LIGHT DEC BARTON HILLS GREEN	1	EA	19190752
2	0000008496	WASHER SLPA FLAT HOT DIP GALV FOR 1 INCH BOLT	4	EA	19190752



 Rev: 08/01/20	<b>STREETLIGHTS</b> DECORATIVE MAINTENANCE STREETLIGHT <b>BARTON HILLS</b>	<b>1919-40</b> Sheet 24 of 25

**MU- ID**                                      **MU- REF**                                      **MU- DESCRIPTION**

BHGRN250WHPS240V                                      19194034                                      BARTON HILLS GRN 250W HPS 240V

ID	CU-REF	CU-DESC	QTY	MU-REF
A	19190534	DEC BARTON HILLS GRN HPS 250W 240V	1	19194034
B	19287003	CLAMP COMPRESSION CU #10 TO #12	6	19194034
C	19284520	MIDGET FUSE 5 AMP 600V AC	2	19194034
D	19284505	FUSE HOLDER BREAKAWAY 1IN AND 1OUT	2	19194034
E	12080402	WIRE # 12 CU 2C W/GRD	20	19194034
F	19282014	LAMP HPS MOGUL BASE 250W	1	19194034
G	12450411	CONN SPLIT BOLT 6 SOLID CU	1	19194034
H	19282072	CONTROLLER COMMUNICATION DECORATIVE	1	19194034

**CU- ID**                                      **CU- REF**                                      **CU- DESCRIPTION**

DECBHGRNHPS250W240V                                      19190534                                      DEC BARTON HILLS GRN HPS 250W 240V

ID	PART NUM	PART DESC	QTY	CU-REF
1	0000018490	STREET LIGHT DEC BARTON HILLS GREEN HPS 250W 240V ASSY	1 EA	19190534
2	0000008496	WASHER SLPA FLAT HOT DIP GALV FOR 1 INCH BOLT	4 EA	19190534

DECBHGRNFIX250WHPS240V                                      19190734                                      DEC BARTON HILLS GRN FIX 250W HPS 240V

ID	PART NUM	PART DESC	QTY	CU-REF
1	0000018502	STREET LIGHT DEC BARTON HILLS GRN FIXTURE HPS 250W 240V	1 EA	19190734

DECBHGRNPOLE                                      19190752                                      DEC BARTON HILLS GRN POLE

ID	PART NUM	PART DESC	QTY	CU-REF
1	0000018506	POLE ST LIGHT DEC BARTON HILLS GREEN	1 EA	19190752
2	0000008496	WASHER SLPA FLAT HOT DIP GALV FOR 1 INCH BOLT	4 EA	19190752

**MU- ID**                                      **MU- REF**                                      **MU- DESCRIPTION**

BHGRN100WMH240V                                      19194035                                      BARTON HILLS GRN 100W MH 240V

ID	CU-REF	CU-DESC	QTY	MU-REF
A	19190535	DEC BARTON HILLS GRN MH 100W 240V	1	19194035
B	19287003	CLAMP COMPRESSION CU #10 TO #12	6	19194035
C	19284520	MIDGET FUSE 5 AMP 600V AC	2	19194035
D	19284505	FUSE HOLDER BREAKAWAY 1IN AND 1OUT	2	19194035
E	12080402	WIRE # 12 CU 2C W/GRD	20	19194035
F	19282002	LAMP MTL HALIDE MOGUL BASE 100W	1	19194035
G	12450411	CONN SPLIT BOLT 6 SOLID CU	1	19194035
H	19282072	CONTROLLER COMMUNICATION DECORATIVE	1	19194035

<b>1919-40</b>	<b>STREETLIGHTS</b>	
Sheet 25 of 25	<b>DECORATIVE MAINTENANCE STREETLIGHT</b>	
	<b>BARTON HILLS</b>	Rev: 08/01/20

**CU-ID                                    CU-REF                                    CU-DESCRIPTION**

DECBHGRNMH100W240V            19190535            DEC BARTON HILLS GRN MH 100W 240V

ID	PART NUM	PART DESC	QTY		CU-REF
1	0000018487	STREET LIGHT DEC BARTON HILLS GREEN MH 100W 240V ASSY	1	EA	19190535
2	0000008496	WASHER SLPA FLAT HOT DIP GALV FOR 1 INCH BOLT	4	EA	19190535

DECBHGRNFIX100WMH240V            19190735            DEC BARTON HILLS GRN FIX 100W MH 240V

ID	PART NUM	PART DESC	QTY		CU-REF
1	0000018499	STREET LIGHT DEC BARTON HILLS GRN FIXTURE MH 100W 240V	1	EA	19190735

DECBHGRNPOLE            19190752            DEC BARTON HILLS GRN POLE

ID	PART NUM	PART DESC	QTY		CU-REF
1	0000018506	POLE ST LIGHT DEC BARTON HILLS GREEN	1	EA	19190752
2	0000008496	WASHER SLPA FLAT HOT DIP GALV FOR 1 INCH BOLT	4	EA	19190752

**MU-ID                                    MU-REF                                    MU-DESCRIPTION**

BHGRN250WMH240V            19194036            BARTON HILLS GRN 250W MH 240V

ID	CU-REF	CU-DESC	QTY	MU-REF
A	19190536	DEC BARTON HILLS GRN MH 250W 240V	1	19194036
B	19287003	CLAMP COMPRESSION CU #10 TO #12	6	19194036
C	19284520	MIDGET FUSE 5 AMP 600V AC	2	19194036
D	19284505	FUSE HOLDER BREAKAWAY 1IN AND 1OUT	2	19194036
E	12080402	WIRE # 12 CU 2C W/GRD	20	19194036
F	19282004	LAMP MTL HALIDE MOGUL BASE 250W	1	19194036
G	12450411	CONN SPLIT BOLT 6 SOLID CU	1	19194036
H	19282072	CONTROLLER COMMUNICATION DECORATIVE	1	19194036

**CU-ID                                    CU-REF                                    CU-DESCRIPTION**

DECBHGRNMH250W240V            19190536            DEC BARTON HILLS GRN MH 250W 240V

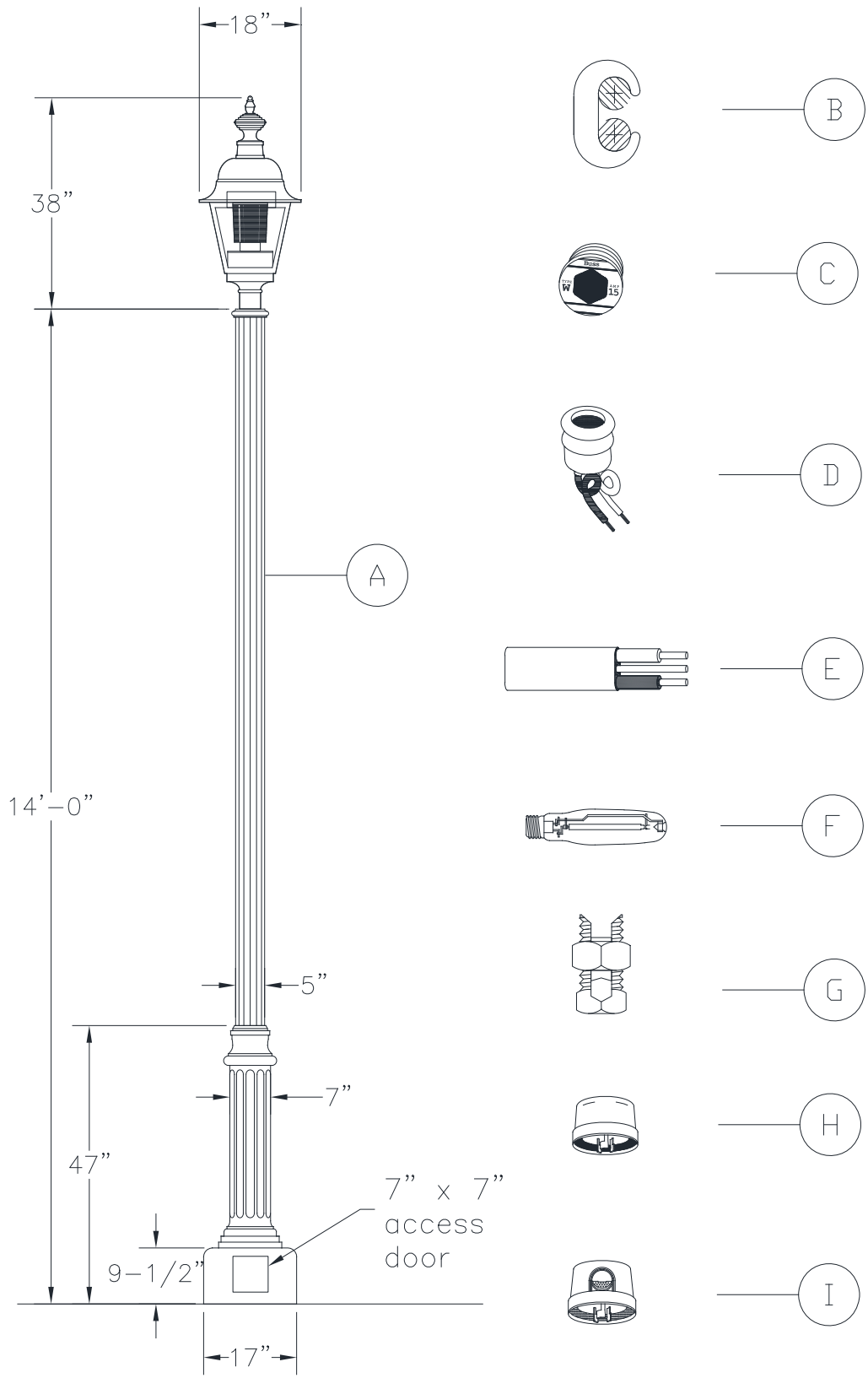
ID	PART NUM	PART DESC	QTY		CU-REF
1	0000018493	STREET LIGHT DEC BARTON HILLS GREEN MH 250W 240V ASSY	1	EA	19190536
2	0000008496	WASHER SLPA FLAT HOT DIP GALV FOR 1 INCH BOLT	4	EA	19190536

DECBHGRNFIX250WMH240V            19190736            DEC BARTON HILLS GRN FIX 250W MH 240V

ID	PART NUM	PART DESC	QTY		CU-REF
1	0000018505	STREET LIGHT DEC BARTON HILLS GRN FIXTURE MH 250W 240V	1	EA	19190736

DECBHGRNPOLE            19190752            DEC BARTON HILLS GRN POLE

ID	PART NUM	PART DESC	QTY		CU-REF
1	0000018506	POLE ST LIGHT DEC BARTON HILLS GREEN	1	EA	19190752
2	0000008496	WASHER SLPA FLAT HOT DIP GALV FOR 1 INCH BOLT	4	EA	19190752



1919-42	<b>STREETLIGHTS</b> <b>DECORATIVE MAINTENANCE STREETLIGHT</b> <b>MOUNT BONNELL</b>	
Sheet 2 of 25		
		Rev: 08/01/20

**MU**

**MU-ID MU-REF MU-DESCRIPTION**

MBBLK100WHPS120V 19194201 MOUNT BONNELL BLK 100W HPS 120V

ID	CU-REF	CU-DESC	QTY	MU-REF
A	19191001	DEC MOUNT BONNELL BLK HPS 100W 120V	1	19194201
B	19287003	CLAMP COMPRESSION CU #10 TO #12	3	19194201
C	19284520	MIDGET FUSE 5 AMP 600V AC	1	19194201
D	19284505	FUSE HOLDER BREAKAWAY 1IN AND 1OUT	1	19194201
E	12080402	WIRE # 12 CU 2C W/GRD	20	19194201
F	19282012	LAMP HPS MOGUL BASE 100W	1	19194201
G	12450411	CONN SPLIT BOLT 6 SOLID CU	1	19194201
H	19282072	CONTROLLER COMMUNICATION DECORATIVE	1	19194201

**CU-ID CU-REF CU-DESCRIPTION**

DECMBBLKHPS100W120V 19191001 DEC MOUNT BONNELL BLK HPS 100W 120V

ID	PART NUM	PART DESC	QTY	CU-REF
1	0000017910	STREET LIGHT DEC MOUNT BONNELL BLK HPS 100W 120V ASSY	1 EA	19191001
2	0000008496	WASHER SLPA FLAT HOT DIP GALV FOR 1 INCH BOLT	4 EA	19191001

DECMBBLKFIX100WHPS120V 19191201 DEC MOUNT BONNELL BLK FIX 100W HPS 120V

ID	PART NUM	PART DESC	QTY	CU-REF
1	0000018509	ST LIGHT DEC MOUNT BONNELL BLK FIXTURE HPS 100W 120V	1 EA	19191201

DECMBBLKPOLE 19191250 DEC MOUNT BONNELL BLK POLE

ID	PART NUM	PART DESC	QTY	CU-REF
1	0000018536	POLE ST LIGHT DECORATIVE MOUNT BONNELL BLK	1 EA	19191250
2	0000008496	WASHER SLPA FLAT HOT DIP GALV FOR 1 INCH BOLT	4 EA	19191250

**MU-ID MU-REF MU-DESCRIPTION**

MBBLK250WHPS120V 19194202 MOUNT BONNELL BLK 250W HPS 120V

ID	CU-REF	CU-DESC	QTY	MU-REF
A	19191002	DEC MOUNT BONNELL BLK HPS 250W 120V	1	19194202
B	19287003	CLAMP COMPRESSION CU #10 TO #12	3	19194202
C	19284520	MIDGET FUSE 5 AMP 600V AC	1	19194202
D	19284505	FUSE HOLDER BREAKAWAY 1IN AND 1OUT	1	19194202
E	12080402	WIRE # 12 CU 2C W/GRD	20	19194202
F	19282014	LAMP HPS MOGUL BASE 250W	1	19194202
G	12450411	CONN SPLIT BOLT 6 SOLID CU	1	19194202
H	19282072	CONTROLLER COMMUNICATION DECORATIVE	1	19194202

	<b>STREETLIGHTS</b> <b>DECORATIVE MAINTENANCE STREETLIGHT</b> <b>MOUNT BONNELL</b>	<b>1919-42</b>
		Sheet 3 of 25
Rev: 08/01/20		

<b>CU-ID</b>	<b>CU-REF</b>	<b>CU-DESCRIPTION</b>
--------------	---------------	-----------------------

DECMBBLKHPS250W120V	19191002	DEC MOUNT BONNELL BLK HPS 250W 120V
---------------------	----------	-------------------------------------

ID	PART NUM	PART DESC	QTY		CU-REF
1	0000017911	ST LIGHT DEC MOUNT BONNELL 250W HPS 120V BLACK	1	EA	19191002
2	0000008496	WASHER SLPA FLAT HOT DIP GALV FOR 1 INCH BOLT	4	EA	19191002

DECMBBLKFIX250WHPS120V	19191202	DEC MOUNT BONNELL BLK FIX 250W HPS 120V
------------------------	----------	---

ID	PART NUM	PART DESC	QTY		CU-REF
1	0000018516	STREET LIGHT DEC MOUNT BONNELL BLK FIXTURE HPS 250W120V	1	EA	19191202

DECMBBLKPOLE	19191250	DEC MOUNT BONNELL BLK POLE
--------------	----------	----------------------------

ID	PART NUM	PART DESC	QTY		CU-REF
1	0000018536	POLE ST LIGHT DECORATIVE MOUNT BONNELL BLK	1	EA	19191250
2	0000008496	WASHER SLPA FLAT HOT DIP GALV FOR 1 INCH BOLT	4	EA	19191250

<b>MU-ID</b>	<b>MU-REF</b>	<b>MU-DESCRIPTION</b>
--------------	---------------	-----------------------

MIBLK100WMH120V	19194203	MOUNT BONNELL BLK 100W MH 120V
-----------------	----------	--------------------------------

ID	CU-REF	CU-DESC	QTY		MU-REF
A	19191003	DEC MOUNT BONNELL BLK MH 100W 120V	1		19194203
B	19287003	CLAMP COMPRESSION CU #10 TO #12	3		19194203
C	19284520	MIDGET FUSE 5 AMP 600V AC	1		19194203
D	19284505	FUSE HOLDER BREAKAWAY 1IN AND 1OUT	1		19194203
E	12080402	WIRE # 12 CU 2C W/GRD	20		19194203
F	19282002	LAMP MTL HALIDE MOGUL BASE 100W	1		19194203
G	12450411	CONN SPLIT BOLT 6 SOLID CU	1		19194203
H	19282072	CONTROLLER COMMUNICATION DECORATIVE	1		19194203

<b>CU-ID</b>	<b>CU-REF</b>	<b>CU-DESCRIPTION</b>
--------------	---------------	-----------------------

DECMBBLKMH100W120V	19191003	DEC MOUNT BONNELL BLK MH 100W 120V
--------------------	----------	------------------------------------

ID	PART NUM	PART DESC	QTY		CU-REF
1	0000017912	STREET LIGHT DEC MOUNT BONNELL MH 100W 120V BLACK ASSY	1	EA	19191003
2	0000008496	WASHER SLPA FLAT HOT DIP GALV FOR 1 INCH BOLT	4	EA	19191003

DECMBBLKFIX100WMH120V	19191203	DEC MOUNT BONNELL BLK FIX 100W MH 120V
-----------------------	----------	--

ID	PART NUM	PART DESC	QTY		CU-REF
1	0000018513	ST LIGHT DEC MOUNT BONNELL BLK FIXTURE MH 100W 120V	1	EA	19191203

DECMBBLKPOLE	19191250	DEC MOUNT BONNELL BLK POLE
--------------	----------	----------------------------

ID	PART NUM	PART DESC	QTY		CU-REF
1	0000018536	POLE ST LIGHT DECORATIVE MOUNT BONNELL BLK	1	EA	19191250
2	0000008496	WASHER SLPA FLAT HOT DIP GALV FOR 1 INCH BOLT	4	EA	19191250

<b>1919-42</b>	<b>STREETLIGHTS</b>	
Sheet 4 of 25	<b>DECORATIVE MAINTENANCE STREETLIGHT</b>	
	<b>MOUNT BONNELL</b>	
		Rev: 08/01/20

**MU-ID MU-REF MU-DESCRIPTION**

MBBLK250WMH120V 19194204 MOUNT BONNELL BLK 250W MH 120V

ID	CU-REF	CU-DESC	QTY	MU-REF
A	19191004	DEC MOUNT BONNELL BLK MH 250W 120V	1	19194204
B	19287003	CLAMP COMPRESSION CU #10 TO #12	3	19194204
C	19284520	MIDGET FUSE 5 AMP 600V AC	1	19194204
D	19284505	FUSE HOLDER BREAKAWAY 1IN AND 1OUT	1	19194204
E	12080402	WIRE # 12 CU 2C W/GRD	20	19194204
F	19282004	LAMP MTL HALIDE MOGUL BASE 250W	1	19194204
G	12450411	CONN SPLIT BOLT 6 SOLID CU	1	19194204
H	19282072	CONTROLLER COMMUNICATION DECORATIVE	1	19194204

**CU-ID CU-REF CU-DESCRIPTION**

DECMBBLKMh250W120V 19191004 DEC MOUNT BONNELL BLK MH 250W 120V

ID	PART NUM	PART DESC	QTY	CU-REF
1	0000017913	ST LIGHT DEC MOUNT BONNELL 250W MH 120V BLACK	1 EA	19191004
2	0000008496	WASHER SLPA FLAT HOT DIP GALV FOR 1 INCH BOLT	4 EA	19191004

DECMBBLKFIX250WMH120V 19191204 DEC MOUNT BONNELL BLK FIX 250W MH 120V

ID	PART NUM	PART DESC	QTY	CU-REF
1	0000018525	STREET LIGHT DEC MOUNT BONNELL BLK FIXTURE MH 250W 120V	1 EA	19191204

DECMBBLKPOLE 19191250 DEC MOUNT BONNELL BLK POLE

ID	PART NUM	PART DESC	QTY	CU-REF
1	0000018536	POLE ST LIGHT DECORATIVE MOUNT BONNELL BLK	1 EA	19191250
2	0000008496	WASHER SLPA FLAT HOT DIP GALV FOR 1 INCH BOLT	4 EA	19191250

**MU-ID MU-REF MU-DESCRIPTION**

MBBLK100WHPS208V 19194205 MOUNT BONNELL BLK 100W HPS 208V

ID	CU-REF	CU-DESC	QTY	MU-REF
A	19191005	DEC MOUNT BONNELL BLK HPS 100W 208V	1	19194205
B	19287003	CLAMP COMPRESSION CU #10 TO #12	6	19194205
C	19284520	MIDGET FUSE 5 AMP 600V AC	2	19194205
D	19284505	FUSE HOLDER BREAKAWAY 1IN AND 1OUT	2	19194205
E	12080402	WIRE # 12 CU 2C W/GRD	20	19194205
F	19282012	LAMP HPS MOGUL BASE 100W	1	19194205
G	12450411	CONN SPLIT BOLT 6 SOLID CU	1	19194205
H	19282072	CONTROLLER COMMUNICATION DECORATIVE	1	19194205



Rev: 08/01/20

**STREETLIGHTS**  
**DECORATIVE MAINTENANCE STREETLIGHT**  
**MOUNT BONNELL**

**1919-42**  
 Sheet 5 of 25

<b>CU-ID</b>	<b>CU-REF</b>	<b>CU-DESCRIPTION</b>
DECMBBLKHPS100W208V	19191005	DEC MOUNT BONNELL BLK HPS 100W 208V

<b>ID</b>	<b>PART NUM</b>	<b>PART DESC</b>	<b>QTY</b>		<b>CU-REF</b>
1	0000018528	STREET LIGHT DEC MOUNT BONNELL BLK HPS 100W 208V ASSY	1	EA	19191005
2	0000008496	WASHER SLPA FLAT HOT DIP GALV FOR 1 INCH BOLT	4	EA	19191005

<b>ID</b>	<b>PART NUM</b>	<b>PART DESC</b>	<b>QTY</b>		<b>CU-REF</b>
1	0000018510	STREET LIGHT DEC MOUNT BONNELL BLK FIXTURE HPS 100W208V	1	EA	19191205

<b>ID</b>	<b>PART NUM</b>	<b>PART DESC</b>	<b>QTY</b>		<b>CU-REF</b>
1	0000018536	POLE ST LIGHT DECORATIVE MOUNT BONNELL BLK	1	EA	19191250
2	0000008496	WASHER SLPA FLAT HOT DIP GALV FOR 1 INCH BOLT	4	EA	19191250

<b>MU-ID</b>	<b>MU-REF</b>	<b>MU-DESCRIPTION</b>
MBBLK250WHPS208V	19194206	MOUNT BONNELL BLK 250W HPS 208V

<b>ID</b>	<b>CU-REF</b>	<b>CU-DESC</b>	<b>QTY</b>	<b>MU-REF</b>
A	19191006	DEC MOUNT BONNELL BLK HPS 250W 208V	1	19194206
B	19287003	CLAMP COMPRESSION CU #10 TO #12	6	19194206
C	19284520	MIDGET FUSE 5 AMP 600V AC	2	19194206
D	19284505	FUSE HOLDER BREAKAWAY 1IN AND 1OUT	2	19194206
E	12080402	WIRE # 12 CU 2C W/GRD	20	19194206
F	19282014	LAMP HPS MOGUL BASE 250W	1	19194206
G	12450411	CONN SPLIT BOLT 6 SOLID CU	1	19194206
H	19282072	CONTROLLER COMMUNICATION DECORATIVE	1	19194206

<b>CU-ID</b>	<b>CU-REF</b>	<b>CU-DESCRIPTION</b>
DECMBBLKHPS250W208V	19191006	DEC MOUNT BONNELL BLK HPS 250W 208V

<b>ID</b>	<b>PART NUM</b>	<b>PART DESC</b>	<b>QTY</b>		<b>CU-REF</b>
1	0000018530	STREET LIGHT DEC MOUNT BONNELL BLK HPS 250W 208V ASSY	1	EA	19191006
2	0000008496	WASHER SLPA FLAT HOT DIP GALV FOR 1 INCH BOLT	4	EA	19191006

<b>ID</b>	<b>PART NUM</b>	<b>PART DESC</b>	<b>QTY</b>		<b>CU-REF</b>
1	0000018523	STREET LIGHT DEC MOUNT BONNELL BLK FIXTURE HPS 250W208V	1	EA	19191206

<b>ID</b>	<b>PART NUM</b>	<b>PART DESC</b>	<b>QTY</b>		<b>CU-REF</b>
1	0000018536	POLE ST LIGHT DECORATIVE MOUNT BONNELL BLK	1	EA	19191250
2	0000008496	WASHER SLPA FLAT HOT DIP GALV FOR 1 INCH BOLT	4	EA	19191250

<b>1919-42</b>	<b>STREETLIGHTS DECORATIVE MAINTENANCE STREETLIGHT MOUNT BONNELL</b>	
Sheet 6 of 25		
		Rev: 08/01/20

**MU- ID                                  MU- REF                                  MU- DESCRIPTION**

MBBLK100WMH208V                          19194207                          MOUNT BONNELL BLK 100W MH 208V

<b>ID</b>	<b>CU- REF</b>	<b>CU- DESC</b>	<b>QTY</b>	<b>MU- REF</b>
A	19191007	DEC MOUNT BONNELL BLK MH 100W 208V	1	19194207
B	19287003	CLAMP COMPRESSION CU #10 TO #12	6	19194207
C	19284520	MIDGET FUSE 5 AMP 600V AC	2	19194207
D	19284505	FUSE HOLDER BREAKAWAY 1IN AND 1OUT	2	19194207
E	12080402	WIRE # 12 CU 2C W/GRD	20	19194207
F	19282002	LAMP MTL HALIDE MOGUL BASE 100W	1	19194207
G	12450411	CONN SPLIT BOLT 6 SOLID CU	1	19194207
H	19282072	CONTROLLER COMMUNICATION DECORATIVE	1	19194207

**CU- ID                                  CU- REF                                  CU- DESCRIPTION**

DECMBBLKMH100W208V                          19191007                          DEC MOUNT BONNELL BLK MH 100W 208V

<b>ID</b>	<b>PART NUM</b>	<b>PART DESC</b>	<b>QTY</b>	<b>CU- REF</b>
1	0000018532	STREET LIGHT DEC MOUNT BONNELL BLK MH 100W 208V ASSY	1 EA	19191007
2	0000008496	WASHER SLPA FLAT HOT DIP GALV FOR 1 INCH BOLT	4 EA	19191007

DECMBBLKFIX100WMH208V                          19191207                          DEC MOUNT BONNELL BLK FIX 100W MH 208V

<b>ID</b>	<b>PART NUM</b>	<b>PART DESC</b>	<b>QTY</b>	<b>CU- REF</b>
1	0000018514	STREET LIGHT DEC MOUNT BONNELL BLK FIXTURE MH 100W 208V	1 EA	19191207

DECMBBLKPOLE                                  19191250                                  DEC MOUNT BONNELL BLK POLE

<b>ID</b>	<b>PART NUM</b>	<b>PART DESC</b>	<b>QTY</b>	<b>CU- REF</b>
1	0000018536	POLE ST LIGHT DECORATIVE MOUNT BONNELL BLK	1 EA	19191250
2	0000008496	WASHER SLPA FLAT HOT DIP GALV FOR 1 INCH BOLT	4 EA	19191250

**MU- ID                                  MU- REF                                  MU- DESCRIPTION**

MBBLK250WMH208V                          19194208                          MOUNT BONNELL BLK 250W MH 208V

<b>ID</b>	<b>CU- REF</b>	<b>CU- DESC</b>	<b>QTY</b>	<b>MU- REF</b>
A	19191008	DEC MOUNT BONNELL BLK MH 250W 208V	1	19194208
B	19287003	CLAMP COMPRESSION CU #10 TO #12	6	19194208
C	19284520	MIDGET FUSE 5 AMP 600V AC	2	19194208
D	19284505	FUSE HOLDER BREAKAWAY 1IN AND 1OUT	2	19194208
E	12080402	WIRE # 12 CU 2C W/GRD	20	19194208
F	19282004	LAMP MTL HALIDE MOGUL BASE 250W	1	19194208
G	12450411	CONN SPLIT BOLT 6 SOLID CU	1	19194208
H	19282072	CONTROLLER COMMUNICATION DECORATIVE	1	19194208



 Rev: 08/01/20	<b>STREETLIGHTS</b> DECORATIVE MAINTENANCE STREETLIGHT <b>MOUNT BONNELL</b>	<b>1919-42</b> Sheet 7 of 25

**CU-ID CU-REF CU-DESCRIPTION**

DECMBBLKMH250W208V 19191008 DEC MOUNT BONNELL BLK MH 250W 208V

ID	PART NUM	PART DESC	QTY	CU-REF
1	0000018534	STREET LIGHT DEC MOUNT BONNELL BLK MH 250W 208V ASSY	1 EA	19191008
2	0000008496	WASHER SLPA FLAT HOT DIP GALV FOR 1 INCH BOLT	4 EA	19191008

DECMBBLKFIX250WMH208V 19191208 DEC MOUNT BONNELL BLK FIX 250W MH 208V

ID	PART NUM	PART DESC	QTY	CU-REF
1	0000018526	STREET LIGHT DEC MOUNT BONNELL BLK FIXTURE MH 250W 208V	1 EA	19191208

DECMBBLKPOLE 19191250 DEC MOUNT BONNELL BLK POLE

ID	PART NUM	PART DESC	QTY	CU-REF
1	0000018536	POLE ST LIGHT DECORATIVE MOUNT BONNELL BLK	1 EA	19191250
2	0000008496	WASHER SLPA FLAT HOT DIP GALV FOR 1 INCH BOLT	4 EA	19191250

**MU-ID MU-REF MU-DESCRIPTION**

MBBLK100WHPS240V 19194209 MOUNT BONNELL BLK 100W HPS 240V

ID	CU-REF	CU-DESC	QTY	MU-REF
A	19191009	DEC MOUNT BONNELL BLK HPS 100W 240V	1	19194209
B	19287003	CLAMP COMPRESSION CU #10 TO #12	6	19194209
C	19284520	MIDGET FUSE 5 AMP 600V AC	2	19194209
D	19284505	FUSE HOLDER BREAKAWAY 1IN AND 1OUT	2	19194209
E	12080402	WIRE # 12 CU 2C W/GRD	20	19194209
F	19282012	LAMP HPS MOGUL BASE 100W	1	19194209
G	12450411	CONN SPLIT BOLT 6 SOLID CU	1	19194209
H	19282072	CONTROLLER COMMUNICATION DECORATIVE	1	19194209

**CU-ID CU-REF CU-DESCRIPTION**

DECMBBLKHPS100W240V 19191009 DEC MOUNT BONNELL BLK HPS 100W 240V

ID	PART NUM	PART DESC	QTY	CU-REF
1	0000018529	ST LIGHT DEC MOUNT BONNELL BLK HPS 100W 240V ASSY	1 EA	19191009
2	0000008496	WASHER SLPA FLAT HOT DIP GALV FOR 1 INCH BOLT	4 EA	19191009

DECMBBLKFIX100WHPS240V 19191209 DEC MOUNT BONNELL BLK FIX 100W HPS 240V

ID	PART NUM	PART DESC	QTY	CU-REF
1	0000018511	ST LIGHT DEC MOUNT BONNELL BLK FIXTURE HPS100W240V	1 EA	19191209

DECMBBLKPOLE 19191250 DEC MOUNT BONNELL BLK POLE

ID	PART NUM	PART DESC	QTY	CU-REF
1	0000018536	POLE ST LIGHT DECORATIVE MOUNT BONNELL BLK	1 EA	19191250
2	0000008496	WASHER SLPA FLAT HOT DIP GALV FOR 1 INCH BOLT	4 EA	19191250

1919-42	<b>STREETLIGHTS</b> <b>DECORATIVE MAINTENANCE STREETLIGHT</b> <b>MOUNT BONNELL</b>	
Sheet 8 of 25		
		Rev: 08/01/20

<b>MU-ID</b>	<b>MU-REF</b>	<b>MU-DESCRIPTION</b>
--------------	---------------	-----------------------

MBBLK250WHPS240V	19194210	MOUNT BONNELL BLK 250W HPS 240V
------------------	----------	---------------------------------

ID	CU-REF	CU-DESC	QTY	MU-REF
A	19191010	DEC MOUNT BONNELL BLK HPS 250W 240V	1	19194210
B	19287003	CLAMP COMPRESSION CU #10 TO #12	6	19194210
C	19284520	MIDGET FUSE 5 AMP 600V AC	2	19194210
D	19284505	FUSE HOLDER BREAKAWAY 1IN AND 1OUT	2	19194210
E	12080402	WIRE # 12 CU 2C W/GRD	20	19194210
F	19282014	LAMP HPS MOGUL BASE 250W	1	19194210
G	12450411	CONN SPLIT BOLT 6 SOLID CU	1	19194210
H	19282072	CONTROLLER COMMUNICATION DECORATIVE	1	19194210

<b>CU-ID</b>	<b>CU-REF</b>	<b>CU-DESCRIPTION</b>
--------------	---------------	-----------------------

DECMBBLKHPS250W240V	19191010	DEC MOUNT BONNELL BLK HPS 250W 240V
---------------------	----------	-------------------------------------

ID	PART NUM	PART DESC	QTY	CU-REF
1	0000018531	ST LIGHT DEC MOUNT BONNELL BLK HPS 250W 240V ASSY	1 EA	19191010
2	0000008496	WASHER SLPA FLAT HOT DIP GALV FOR 1 INCH BOLT	4 EA	19191010

DECMBBLKFIX250WHPS240V	19191210	DEC MOUNT BONNELL BLK FIX 250W HPS 240V
------------------------	----------	---

ID	PART NUM	PART DESC	QTY	CU-REF
1	0000018524	STREET LIGHT DEC MOUNT BONNELL BLK FIXTURE HPS 250W240V	1 EA	19191210

DECMBBLKPOLE	19191250	DEC MOUNT BONNELL BLK POLE
--------------	----------	----------------------------

ID	PART NUM	PART DESC	QTY	CU-REF
1	0000018536	POLE ST LIGHT DECORATIVE MOUNT BONNELL BLK	1 EA	19191250
2	0000008496	WASHER SLPA FLAT HOT DIP GALV FOR 1 INCH BOLT	4 EA	19191250

<b>MU-ID</b>	<b>MU-REF</b>	<b>MU-DESCRIPTION</b>
--------------	---------------	-----------------------

MBBLK100WMH240V	19194211	MOUNT BONNELL BLK 100W MH 240V
-----------------	----------	--------------------------------

ID	CU-REF	CU-DESC	QTY	MU-REF
A	19191011	DEC MOUNT BONNELL BLK MH 100W 240V	1	19194211
B	19287003	CLAMP COMPRESSION CU #10 TO #12	6	19194211
C	19284520	MIDGET FUSE 5 AMP 600V AC	2	19194211
D	19284505	FUSE HOLDER BREAKAWAY 1IN AND 1OUT	2	19194211
E	12080402	WIRE # 12 CU 2C W/GRD	20	19194211
F	19282002	LAMP MTL HALIDE MOGUL BASE 100W	1	19194211
G	12450411	CONN SPLIT BOLT 6 SOLID CU	1	19194211
H	19282072	CONTROLLER COMMUNICATION DECORATIVE	1	19194211



Rev: 08/01/20

**STREETLIGHTS**  
**DECORATIVE MAINTENANCE STREETLIGHT**  
**MOUNT BONNELL**

**1919-42**

Sheet 9 of 25

**CU-ID CU-REF CU-DESCRIPTION**

DECMBBLKMH100W240V 19191011 DEC MOUNT BONNELL BLK MH 100W 240V

ID	PART NUM	PART DESC	QTY	CU-REF
1	0000018533	ST LIGHT DEC MOUNT BONNELL BLACK MH 100W 240V ASSY	1 EA	19191011
2	0000008496	WASHER SLPA FLAT HOT DIP GALV FOR 1 INCH BOLT	4 EA	19191011

DECMBBLKFIX100WMH240V 19191211 DEC MOUNT BONNELL BLK FIX 100W MH 240V

ID	PART NUM	PART DESC	QTY	CU-REF
1	0000018515	STREET LIGHT DEC MOUNT BONNELL BLK FIXTURE MH 100W240V	1 EA	19191211

DECMBBLKPOLE 19191250 DEC MOUNT BONNELL BLK POLE

ID	PART NUM	PART DESC	QTY	CU-REF
1	0000018536	POLE ST LIGHT DECORATIVE MOUNT BONNELL BLK	1 EA	19191250
2	0000008496	WASHER SLPA FLAT HOT DIP GALV FOR 1 INCH BOLT	4 EA	19191250

**MU-ID MU-REF MU-DESCRIPTION**

MBBLK250WMH240V 19194212 MOUNT BONNELL BLK 250W MH 240V

ID	CU-REF	CU-DESC	QTY	MU-REF
A	19191012	DEC MOUNT BONNELL BLK MH 250W 240V	1	19194212
B	19287003	CLAMP COMPRESSION CU #10 TO #12	6	19194212
C	19284520	MIDGET FUSE 5 AMP 600V AC	2	19194212
D	19284505	FUSE HOLDER BREAKAWAY 1IN AND 1OUT	2	19194212
E	12080402	WIRE # 12 CU 2C W/GRD	20	19194212
F	19282004	LAMP MTL HALIDE MOGUL BASE 250W	1	19194212
G	12450411	CONN SPLIT BOLT 6 SOLID CU	1	19194212
H	19282072	CONTROLLER COMMUNICATION DECORATIVE	1	19194212

**CU-ID CU-REF CU-DESCRIPTION**

DECMBBLKMH250W240V 19191012 DEC MOUNT BONNELL BLK MH 250W 240V

ID	PART NUM	PART DESC	QTY	CU-REF
1	0000018535	STREET LIGHT DEC MOUNT BONNELL BLACK MH 250W 240V ASSY	1 EA	19191012
2	0000008496	WASHER SLPA FLAT HOT DIP GALV FOR 1 INCH BOLT	4 EA	19191012

DECMBBLKFIX250WMH240V 19191212 DEC MOUNT BONNELL BLK FIX 250W MH 240V

ID	PART NUM	PART DESC	QTY	CU-REF
1	0000018527	STREET LIGHT DEC MOUNT BONNELL BLK FIXTURE MH 250W 240V	1 EA	19191212

DECMBBLKPOLE 19191250 DEC MOUNT BONNELL BLK POLE

ID	PART NUM	PART DESC	QTY	CU-REF
1	0000018536	POLE ST LIGHT DECORATIVE MOUNT BONNELL BLK	1 EA	19191250
2	0000008496	WASHER SLPA FLAT HOT DIP GALV FOR 1 INCH BOLT	4 EA	19191250





Rev: 08/01/20

STREETLIGHTS  
DECORATIVE MAINTENANCE STREETLIGHT  
MOUNT BONNELL

1919- 42

Sheet 11 of 25

**CU-ID** **CU-REF** **CU-DESCRIPTION**

DECMBBRNHPS250W120V 19191014 DEC MOUNT BONNELL BRN HPS 250W 120V

ID	PART NUM	PART DESC	QTY	CU-REF
1	0000018943	STREET LIGHT DEC MOUNT BONNELL BRN HPS 250W 120V ASSY	1 EA	19191014
2	0000008496	WASHER SLPA FLAT HOT DIP GALV FOR 1 INCH BOLT	4 EA	19191014

DECMBBROFIX250WHPS120V 19191214 DEC MOUNT BONNELL BRN FIX 250W HPS 120V

ID	PART NUM	PART DESC	QTY	CU-REF
1	0000018977	STREET LIGHT DEC MOUNT BONNELL BRN FIXTURE HPS 250W120V	1 EA	19191214

DECMBBRNPole 19191251 DEC MOUNT BONNELL BRN POLE

ID	PART NUM	PART DESC	QTY	CU-REF
1	0000018972	POLE ST LIGHT DECORATIVE MOUNT BONNELL BRN	1 EA	19191251
2	0000008496	WASHER SLPA FLAT HOT DIP GALV FOR 1 INCH BOLT	4 EA	19191251

**MU-ID** **MU-REF** **MU-DESCRIPTION**

MBBRN100WMH120V 19194215 MOUNT BONNELL BRN 100W MH 120V

ID	CU-REF	CU-DESC	QTY	MU-REF
A	19191015	DEC MOUNT BONNELL BRN MH 100W 120V	1	19194215
B	19287003	CLAMP COMPRESSION CU #10 TO #12	3	19194215
C	19284520	MIDGET FUSE 5 AMP 600V AC	1	19194215
D	19284505	FUSE HOLDER BREAKAWAY 1IN AND 1OUT	1	19194215
E	12080402	WIRE # 12 CU 2C W/GRD	20	19194215
F	19282002	LAMP MTL HALIDE MOGUL BASE 100W	1	19194215
G	12450411	CONN SPLIT BOLT 6 SOLID CU	1	19194215
H	19282072	CONTROLLER COMMUNICATION DECORATIVE	1	19194215

**CU-ID** **CU-REF** **CU-DESCRIPTION**

DECMBBRNMH100W120V 19191015 DEC MOUNT BONNELL BRN MH 100W 120V

ID	PART NUM	PART DESC	QTY	CU-REF
1	0000018946	STREET LIGHT DEC MOUNT BONNELL BROWN MH 100W 120V ASSY	1 EA	19191015
2	0000008496	WASHER SLPA FLAT HOT DIP GALV FOR 1 INCH BOLT	4 EA	19191015

DECMBBROFIX100WMH120V 19191215 DEC MOUNT BONNELL BRN FIX 100W MH 120V

ID	PART NUM	PART DESC	QTY	CU-REF
1	0000018978	STREET LIGHT DEC MOUNT BONNELL BRN FIXTURE MH 100W120V	1 EA	19191215

DECMBBRNPole 19191251 DEC MOUNT BONNELL BRN POLE

ID	PART NUM	PART DESC	QTY	CU-REF
1	0000018972	POLE ST LIGHT DECORATIVE MOUNT BONNELL BRN	1 EA	19191251
2	0000008496	WASHER SLPA FLAT HOT DIP GALV FOR 1 INCH BOLT	4 EA	19191251

<b>1919-42</b>	<b>STREETLIGHTS</b>	
Sheet 12 of 25	<b>DECORATIVE MAINTENANCE STREETLIGHT</b>	
	<b>MOUNT BONNELL</b>	
		Rev: 08/01/20

**MU-ID MU-REF MU-DESCRIPTION**

MBBRN250WMH120V 19194216 MOUNT BONNELL BRN 250W MH 120V

ID	CU-REF	CU-DESC	QTY	MU-REF
A	19191016	DEC MOUNT BONNELL BRN MH 250W 120V	1	19194216
B	19287003	CLAMP COMPRESSION CU #10 TO #12	3	19194216
C	19284520	MIDGET FUSE 5 AMP 600V AC	1	19194216
D	19284505	FUSE HOLDER BREAKAWAY 1IN AND 1OUT	1	19194216
E	12080402	WIRE # 12 CU 2C W/GRD	20	19194216
F	19282004	LAMP MTL HALIDE MOGUL BASE 250W	1	19194216
G	12450411	CONN SPLIT BOLT 6 SOLID CU	1	19194216
H	19282072	CONTROLLER COMMUNICATION DECORATIVE	1	19194216

**CU-ID CU-REF CU-DESCRIPTION**

DECMBBRNMH250W120V 19191016 DEC MOUNT BONNELL BRN MH 250W 120V

ID	PART NUM	PART DESC	QTY	CU-REF
1	0000018949	STREET LIGHT DEC MOUNT BONNELL BROWN MH 250W 120V ASSY	1 EA	19191016
2	0000008496	WASHER SLPA FLAT HOT DIP GALV FOR 1 INCH BOLT	4 EA	19191016

DECMBBROFIX250WMH120V 19191216 DEC MOUNT BONNELL BRN FIX 250W MH 120V

ID	PART NUM	PART DESC	QTY	CU-REF
1	0000018979	STREET LIGHT DEC MOUNT BONNELL BRN FIXTURE MH 250W120V	1 EA	19191216

DECMBBRNPOL 19191251 DEC MOUNT BONNELL BRN POLE

ID	PART NUM	PART DESC	QTY	CU-REF
1	0000018972	POLE ST LIGHT DECORATIVE MOUNT BONNELL BRN	1 EA	19191251
2	0000008496	WASHER SLPA FLAT HOT DIP GALV FOR 1 INCH BOLT	4 EA	19191251

**MU-ID MU-REF MU-DESCRIPTION**

MBBRN100WHPS208V 19194217 MOUNT BONNELL BRN 100W HPS 208V

ID	CU-REF	CU-DESC	QTY	MU-REF
A	19191017	DEC MOUNT BONNELL BRN HPS 100W 208V	1	19194217
B	19287003	CLAMP COMPRESSION CU #10 TO #12	6	19194217
C	19284520	MIDGET FUSE 5 AMP 600V AC	2	19194217
D	19284505	FUSE HOLDER BREAKAWAY 1IN AND 1OUT	2	19194217
E	12080402	WIRE # 12 CU 2C W/GRD	20	19194217
F	19282012	LAMP HPS MOGUL BASE 100W	1	19194217
G	12450411	CONN SPLIT BOLT 6 SOLID CU	1	19194217
H	19282072	CONTROLLER COMMUNICATION DECORATIVE	1	19194217







 Rev: 08/01/20	<b>STREETLIGHTS</b> <b>DECORATIVE MAINTENANCE STREETLIGHT</b> <b>MOUNT BONNELL</b>	<b>1919-42</b>
		Sheet 15 of 25

**CU-ID    CU-REF    CU-DESCRIPTION**

DECMBBRNMH250W208V                      19191020                      DEC MOUNT BONNELL BRN MH 250W 208V

ID	PART NUM	PART DESC	QTY		CU-REF
1	0000018950	STREET LIGHT DEC MOUNT BONNELL BROWN MH 250W 208V ASSY	1	EA	19191020
2	0000008496	WASHER SLPA FLAT HOT DIP GALV FOR 1 INCH BOLT	4	EA	19191020

DECMBBROFIX250WMH208V                      19191220                      DEC MOUNT BONNELL BRN FIX 250W MH 208V

ID	PART NUM	PART DESC	QTY		CU-REF
1	0000018983	STREET LIGHT DEC MOUNT BONNELL BRN FIXTURE MH 250W 208V	1	EA	19191220

DECMBBRNPOLE                                      19191251                                      DEC MOUNT BONNELL BRN POLE

ID	PART NUM	PART DESC	QTY		CU-REF
1	0000018972	POLE ST LIGHT DECORATIVE MOUNT BONNELL BRN	1	EA	19191251
2	0000008496	WASHER SLPA FLAT HOT DIP GALV FOR 1 INCH BOLT	4	EA	19191251

**MU-ID    MU-REF    MU-DESCRIPTION**

MBBRN100WHPS240V                                  19194221                                  MOUNT BONNELL BRN 100W HPS 240V

ID	CU-REF	CU-DESC	QTY		MU-REF
A	19191021	DEC MOUNT BONNELL BRN HPS 100W 240V	1		19194221
B	19287003	CLAMP COMPRESSION CU #10 TO #12	6		19194221
C	19284520	MIDGET FUSE 5 AMP 600V AC	2		19194221
D	19284505	FUSE HOLDER BREAKAWAY 1IN AND 1OUT	2		19194221
E	12080402	WIRE # 12 CU 2C W/GRD	20		19194221
F	19282012	LAMP HPS MOGUL BASE 100W	1		19194221
G	12450411	CONN SPLIT BOLT 6 SOLID CU	1		19194221
H	19282072	CONTROLLER COMMUNICATION DECORATIVE	1		19194221

**CU-ID    CU-REF    CU-DESCRIPTION**

DECMBBRNHPS100W240V                      19191021                      DEC MOUNT BONNELL BRN HPS 100W 240V

ID	PART NUM	PART DESC	QTY		CU-REF
1	0000018942	STREET LIGHT DEC MOUNT BONNELL BROWN HPS 100W 240V ASSY	1	EA	19191021
2	0000008496	WASHER SLPA FLAT HOT DIP GALV FOR 1 INCH BOLT	4	EA	19191021

DECMBBROFIX100WHPS240V                      19191221                      DEC MOUNT BONNELL BRN FIX 100W HPS 240V

ID	PART NUM	PART DESC	QTY		CU-REF
1	0000018984	STREET LIGHT DEC MOUNT BONNELL BRN FIXTURE HPS 100W240V	1	EA	19191221

DECMBBRNPOLE                                      19191251                                      DEC MOUNT BONNELL BRN POLE

ID	PART NUM	PART DESC	QTY		CU-REF
1	0000018972	POLE ST LIGHT DECORATIVE MOUNT BONNELL BRN	1	EA	19191251
2	0000008496	WASHER SLPA FLAT HOT DIP GALV FOR 1 INCH BOLT	4	EA	19191251

<b>1919-42</b>	<b>STREETLIGHTS</b>	<b>DECORATIVE MAINTENANCE STREETLIGHT</b> <b>MOUNT BONNELL</b>	 Rev: 08/01/20
Sheet 16 of 25			

**MU- ID MU- REF MU- DESCRIPTION**

MBBRN250WHPS240V 19194222 MOUNT BONNELL BRN 250W HPS 240V

ID	CU-REF	CU-DESC	QTY	MU-REF
A	19191022	DEC MOUNT BONNELL BRN HPS 250W 240V	1	19194222
B	19287003	CLAMP COMPRESSION CU #10 TO #12	6	19194222
C	19284520	MIDGET FUSE 5 AMP 600V AC	2	19194222
D	19284505	FUSE HOLDER BREAKAWAY 1IN AND 1OUT	2	19194222
E	12080402	WIRE # 12 CU 2C W/GRD	20	19194222
F	19282014	LAMP HPS MOGUL BASE 250W	1	19194222
G	12450411	CONN SPLIT BOLT 6 SOLID CU	1	19194222
H	19282072	CONTROLLER COMMUNICATION DECORATIVE	1	19194222

**CU- ID CU- REF CU- DESCRIPTION**

DECMBBRNHPS250W240V 19191022 DEC MOUNT BONNELL BRN HPS 250W 240V

ID	PART NUM	PART DESC	QTY	CU-REF
1	0000018945	STREET LIGHT DEC MOUNT BONNELL BROWN HPS 250W 240V ASSY	1 EA	19191022
2	0000008496	WASHER SLPA FLAT HOT DIP GALV FOR 1 INCH BOLT	4 EA	19191022

DECMBBROFIX250WHPS240V 19191222 DEC MOUNT BONNELL BRN FIX 250W HPS 240V

ID	PART NUM	PART DESC	QTY	CU-REF
1	0000018985	STREET LIGHT DEC MOUNT BONNELL BRN FIXTURE HPS 250W240V	1 EA	19191222

DECMBBRNPOLE 19191251 DEC MOUNT BONNELL BRN POLE

ID	PART NUM	PART DESC	QTY	CU-REF
1	0000018972	POLE ST LIGHT DECORATIVE MOUNT BONNELL BRN	1 EA	19191251
2	0000008496	WASHER SLPA FLAT HOT DIP GALV FOR 1 INCH BOLT	4 EA	19191251

**MU- ID MU- REF MU- DESCRIPTION**

MBBRN100WMH240V 19194223 MOUNT BONNELL BRN 100W MH 240V

ID	CU-REF	CU-DESC	QTY	MU-REF
A	19191023	DEC MOUNT BONNELL BRN MH 100W 240V	1	19194223
B	19287003	CLAMP COMPRESSION CU #10 TO #12	6	19194223
C	19284520	MIDGET FUSE 5 AMP 600V AC	2	19194223
D	19284505	FUSE HOLDER BREAKAWAY 1IN AND 1OUT	2	19194223
E	12080402	WIRE # 12 CU 2C W/GRD	20	19194223
F	19282002	LAMP MTL HALIDE MOGUL BASE 100W	1	19194223
G	12450411	CONN SPLIT BOLT 6 SOLID CU	1	19194223
H	19282072	CONTROLLER COMMUNICATION DECORATIVE	1	19194223



<b>1919-42</b>	<b>STREETLIGHTS</b>	<b>DECORATIVE MAINTENANCE STREETLIGHT</b>	
Sheet 18 of 25			
	<b>MOUNT BONNELL</b>		Rev: 08/01/20

<b>MU- ID</b>	<b>MU- REF</b>	<b>MU- DESCRIPTION</b>
---------------	----------------	------------------------

MBGRN100WHPS120V	19194225	MOUNT BONNELL GRN 100W HPS 120V
------------------	----------	---------------------------------

ID	CU- REF	CU- DESC	QTY	MU- REF
A	19191025	DEC MOUNT BONNELL GRN HPS 100W 120V	1	19194225
B	19287003	CLAMP COMPRESSION CU #10 TO #12	3	19194225
C	19284520	MIDGET FUSE 5 AMP 600V AC	1	19194225
D	19284505	FUSE HOLDER BREAKAWAY 1IN AND 1OUT	1	19194225
E	12080402	WIRE # 12 CU 2C W/GRD	20	19194225
F	19282012	LAMP HPS MOGUL BASE 100W	1	19194225
G	12450411	CONN SPLIT BOLT 6 SOLID CU	1	19194225
H	19282072	CONTROLLER COMMUNICATION DECORATIVE	1	19194225

<b>CU- ID</b>	<b>CU- REF</b>	<b>CU- DESCRIPTION</b>
---------------	----------------	------------------------

DECMBGRNHP100W120V	19191025	DEC MOUNT BONNELL GRN HPS 100W 120V
--------------------	----------	-------------------------------------

ID	PART NUM	PART DESC	QTY	CU- REF
1	0000018813	STREET LIGHT DEC MOUNT BONNELL GREEN HPS 100W 120V ASSY	1	EA 19191025
2	0000008496	WASHER SLPA FLAT HOT DIP GALV FOR 1 INCH BOLT	4	EA 19191025

DECMBGRNFIX100WHPS120V	19191225	DEC MOUNT BONNELL GRN FIX 100W HPS 120V
------------------------	----------	---

ID	PART NUM	PART DESC	QTY	CU- REF
1	0000018800	STREET LIGHT DEC MOUNT BONNELL GRN FIXTURE HPS 100W120V	1	EA 19191225

DECMBGRNPOLE	19191252	DEC MOUNT BONNELL GRN POLE
--------------	----------	----------------------------

ID	PART NUM	PART DESC	QTY	CU- REF
1	0000018825	POLE ST LIGHT DECORATIVE MOUNT BONNELL GRN	1	EA 19191252
2	0000008496	WASHER SLPA FLAT HOT DIP GALV FOR 1 INCH BOLT	4	EA 19191252

<b>MU- ID</b>	<b>MU- REF</b>	<b>MU- DESCRIPTION</b>
---------------	----------------	------------------------

MBGRN250WHPS120V	19194226	MOUNT BONNELL GRN 250W HPS 120V
------------------	----------	---------------------------------

ID	CU- REF	CU- DESC	QTY	MU- REF
A	19191026	DEC MOUNT BONNELL GRN HPS 250W 120V	1	19194226
B	19287003	CLAMP COMPRESSION CU #10 TO #12	3	19194226
C	19284520	MIDGET FUSE 5 AMP 600V AC	1	19194226
D	19284505	FUSE HOLDER BREAKAWAY 1IN AND 1OUT	1	19194226
E	12080402	WIRE # 12 CU 2C W/GRD	20	19194226
F	19282014	LAMP HPS MOGUL BASE 250W	1	19194226
G	12450411	CONN SPLIT BOLT 6 SOLID CU	1	19194226
H	19282072	CONTROLLER COMMUNICATION DECORATIVE	1	19194226



Rev: 08/01/20

STREETLIGHTS
DECORATIVE MAINTENANCE STREETLIGHT
MOUNT BONNELL

1919-42
Sheet 19 of 25

CU-ID CU-REF CU-DESCRIPTION

DECMBGRNHPS250W120V 19191026 DEC MOUNT BONNELL GRN HPS 250W 120V

Table with 6 columns: ID, PART NUM, PART DESC, QTY, EA, CU-REF. Rows include STREET LIGHT DEC MOUNT BONNELL GREEN HPS 250W 120V ASSY and WASHER SLPA FLAT HOT DIP GALV FOR 1 INCH BOLT.

DECMBGRNFIX250WHPS120V 19191226 DEC MOUNT BONNELL GRN FIX 250W HPS 120V

Table with 6 columns: ID, PART NUM, PART DESC, QTY, EA, CU-REF. Row includes STREET LIGHT DEC MOUNT BONNELL GRN FIXTURE HPS 250W120V.

DECMBGRNPOLE 19191252 DEC MOUNT BONNELL GRN POLE

Table with 6 columns: ID, PART NUM, PART DESC, QTY, EA, CU-REF. Rows include POLE ST LIGHT DECORATIVE MOUNT BONNELL GRN and WASHER SLPA FLAT HOT DIP GALV FOR 1 INCH BOLT.

MU-ID MU-REF MU-DESCRIPTION

MBGRN100WMH120V 19194227 MOUNT BONNELL GRN 100W MH 120V

Table with 6 columns: ID, CU-REF, CU-DESC, QTY, MU-REF. Rows A-H include various components like CLAMP COMPRESSION, MIDGET FUSE, FUSE HOLDER, WIRE, LAMP MTL HALIDE, CONN SPLIT BOLT, and CONTROLLER COMMUNICATION.

CU-ID CU-REF CU-DESCRIPTION

DECMBGRNMH100W120V 19191027 DEC MOUNT BONNELL GRN MH 100W 120V

Table with 6 columns: ID, PART NUM, PART DESC, QTY, EA, CU-REF. Rows include STREET LIGHT DEC MOUNT BONNELL GREEN MH 100W 120V ASSY and WASHER SLPA FLAT HOT DIP GALV FOR 1 INCH BOLT.

DECMBGRNFIX100WMH120V 19191227 DEC MOUNT BONNELL GRN FIX 100W MH 120V

Table with 6 columns: ID, PART NUM, PART DESC, QTY, EA, CU-REF. Row includes STREET LIGHT DEC MOUNT BONNELL GRN FIXTURE MH 100W120V.

DECMBGRNPOLE 19191252 DEC MOUNT BONNELL GRN POLE

Table with 6 columns: ID, PART NUM, PART DESC, QTY, EA, CU-REF. Rows include POLE ST LIGHT DECORATIVE MOUNT BONNELL GRN and WASHER SLPA FLAT HOT DIP GALV FOR 1 INCH BOLT.

<b>1919-42</b>	<b>STREETLIGHTS</b> <b>DECORATIVE MAINTENANCE STREETLIGHT</b> <b>MOUNT BONNELL</b>	 <b>AUSTIN ENERGY</b>
Sheet 20 of 25		
		Rev: 08/01/20

**MU-ID**    **MU-REF**    **MU-DESCRIPTION**

MBGRN250WMH120V                                  19194228    MOUNT BONNELL GRN 250W MH 120V

<b>ID</b>	<b>CU-REF</b>	<b>CU-DESC</b>	<b>QTY</b>	<b>MU-REF</b>
A	19191028	DEC MOUNT BONNELL GRN MH 250W 120V	1	19194228
B	19287003	CLAMP COMPRESSION CU #10 TO #12	3	19194228
C	19284520	MIDGET FUSE 5 AMP 600V AC	1	19194228
D	19284505	FUSE HOLDER BREAKAWAY 1IN AND 1OUT	1	19194228
E	12080402	WIRE # 12 CU 2C W/GRD	20	19194228
F	19282004	LAMP MTL HALIDE MOGUL BASE 250W	1	19194228
G	12450411	CONN SPLIT BOLT 6 SOLID CU	1	19194228
H	19282072	CONTROLLER COMMUNICATION DECORATIVE	1	19194228

**CU-ID**    **CU-REF**    **CU-DESCRIPTION**

DECMBGRNMH250W120V                                  19191028    DEC MOUNT BONNELL GRN MH 250W 120V

<b>ID</b>	<b>PART NUM</b>	<b>PART DESC</b>	<b>QTY</b>	<b>CU-REF</b>
1	0000018822	STREET LIGHT DEC MOUNT BONNELL GREEN MH 250W 120V ASSY	1 EA	19191028
2	0000008496	WASHER SLPA FLAT HOT DIP GALV FOR 1 INCH BOLT	4 EA	19191028

DECMBGRNFIX250WMH120V                                  19191228    DEC MOUNT BONNELL GRN FIX 250W MH 120V

<b>ID</b>	<b>PART NUM</b>	<b>PART DESC</b>	<b>QTY</b>	<b>CU-REF</b>
1	0000018810	STREET LIGHT DEC MOUNT BONNELL GRN FIXTURE MH 250W 120V	1 EA	19191228

DECMBGRNPOLE                                  19191252    DEC MOUNT BONNELL GRN POLE

<b>ID</b>	<b>PART NUM</b>	<b>PART DESC</b>	<b>QTY</b>	<b>CU-REF</b>
1	0000018825	POLE ST LIGHT DECORATIVE MOUNT BONNELL GRN	1 EA	19191252
2	0000008496	WASHER SLPA FLAT HOT DIP GALV FOR 1 INCH BOLT	4 EA	19191252

**MU-ID**    **MU-REF**    **MU-DESCRIPTION**

MBGRN100WHPS208V                                  19194229    MOUNT BONNELL GRN 100W HPS 208V

<b>ID</b>	<b>CU-REF</b>	<b>CU-DESC</b>	<b>QTY</b>	<b>MU-REF</b>
A	19191029	DEC MOUNT BONNELL GRN HPS 100W 208V	1	19194229
B	19287003	CLAMP COMPRESSION CU #10 TO #12	6	19194229
C	19284520	MIDGET FUSE 5 AMP 600V AC	2	19194229
D	19284505	FUSE HOLDER BREAKAWAY 1IN AND 1OUT	2	19194229
E	12080402	WIRE # 12 CU 2C W/GRD	20	19194229
F	19282012	LAMP HPS MOGUL BASE 100W	1	19194229
G	12450411	CONN SPLIT BOLT 6 SOLID CU	1	19194229
H	19282072	CONTROLLER COMMUNICATION DECORATIVE	1	19194229



<b>1919-42</b>	<b>STREETLIGHTS</b>	
Sheet 22 of 25	<b>DECORATIVE MAINTENANCE STREETLIGHT</b>	
	<b>MOUNT BONNELL</b>	Rev: 08/01/20

**MU-ID**

**MU-REF**

**MU-DESCRIPTION**

MBGRN100WMH208V                    19194231                    MOUNT BONNELL GRN 100W MH 208V

ID	CU-REF	CU-DESC	QTY	MU-REF
A	19191031	DEC MOUNT BONNELL GRN MH 100W 208V	1	19194231
B	19287003	CLAMP COMPRESSION CU #10 TO #12	6	19194231
C	19284520	MIDGET FUSE 5 AMP 600V AC	2	19194231
D	19284505	FUSE HOLDER BREAKAWAY 1IN AND 1OUT	2	19194231
E	12080402	WIRE # 12 CU 2C W/GRD	20	19194231
F	19282002	LAMP MTL HALIDE MOGUL BASE 100W	1	19194231
G	12450411	CONN SPLIT BOLT 6 SOLID CU	1	19194231
H	19282072	CONTROLLER COMMUNICATION DECORATIVE	1	19194231

**CU-ID**

**CU-REF**

**CU-DESCRIPTION**

DECMBGRNMH100W208V                    19191031                    DEC MOUNT BONNELL GRN MH 100W 208V

ID	PART NUM	PART DESC	QTY	CU-REF
1	0000018820	STREET LIGHT DEC MOUNT BONNELL GREEN MH 100W 208V ASSY	1	EA 19191031
2	0000008496	WASHER SLPA FLAT HOT DIP GALV FOR 1 INCH BOLT	4	EA 19191031

DECMBGRNFIX100WMH208V                    19191231                    DEC MOUNT BONNELL GRN FIX 100W MH 208V

ID	PART NUM	PART DESC	QTY	CU-REF
1	0000018804	STREET LIGHT DEC MOUNT BONNELL GRN FIXTURE MH 100W 208V	1	EA 19191231

DECMBGRNPOLE                    19191252                    DEC MOUNT BONNELL GRN POLE

ID	PART NUM	PART DESC	QTY	CU-REF
1	0000018825	POLE ST LIGHT DECORATIVE MOUNT BONNELL GRN	1	EA 19191252
2	0000008496	WASHER SLPA FLAT HOT DIP GALV FOR 1 INCH BOLT	4	EA 19191252

**MU-ID**

**MU-REF**

**MU-DESCRIPTION**

MBGRN250WMH208V                    19194232                    MOUNT BONNELL GRN 250W MH 208V

ID	CU-REF	CU-DESC	QTY	MU-REF
A	19191032	DEC MOUNT BONNELL GRN MH 250W 208V	1	19194232
B	19287003	CLAMP COMPRESSION CU #10 TO #12	6	19194232
C	19284520	MIDGET FUSE 5 AMP 600V AC	2	19194232
D	19284505	FUSE HOLDER BREAKAWAY 1IN AND 1OUT	2	19194232
E	12080402	WIRE # 12 CU 2C W/GRD	20	19194232
F	19282004	LAMP MTL HALIDE MOGUL BASE 250W	1	19194232
G	12450411	CONN SPLIT BOLT 6 SOLID CU	1	19194232
H	19282072	CONTROLLER COMMUNICATION DECORATIVE	1	19194232





Rev: 08/01/20

**STREETLIGHTS**  
**DECORATIVE MAINTENANCE STREETLIGHT**  
**MOUNT BONNELL**

**1919-42**  
Sheet 23 of 25

**CU-ID    CU-REF    CU-DESCRIPTION**

DECMBGRNMH250W208V                  19191032                  DEC MOUNT BONNELL GRN MH 250W 208V

ID	PART NUM	PART DESC	QTY	CU-REF
1	0000018823	STREET LIGHT DEC MOUNT BONNELL GREEN MH 250W 208V ASSY	1 EA	19191032
2	0000008496	WASHER SLPA FLAT HOT DIP GALV FOR 1 INCH BOLT	4 EA	19191032

DECMBGRNFIX250WMH208V                  19191232                  DEC MOUNT BONNELL GRN FIX 250W MH 208V

ID	PART NUM	PART DESC	QTY	CU-REF
1	0000018811	STREET LIGHT DEC MOUNT BONNELL GRN FIXTURE MH 250W 208V	1 EA	19191232

DECMBGRNPOLE                                  19191252                  DEC MOUNT BONNELL GRN POLE

ID	PART NUM	PART DESC	QTY	CU-REF
1	0000018825	POLE ST LIGHT DECORATIVE MOUNT BONNELL GRN	1 EA	19191252
2	0000008496	WASHER SLPA FLAT HOT DIP GALV FOR 1 INCH BOLT	4 EA	19191252

**MU-ID    MU-REF    MU-DESCRIPTION**

MBGRN100WHPS240V                          19194233                  MOUNT BONNELL GRN 100W HPS 240V

ID	CU-REF	CU-DESC	QTY	MU-REF
A	19191033	DEC MOUNT BONNELL GRN HPS 100W 240V	1	19194233
B	19287003	CLAMP COMPRESSION CU #10 TO #12	6	19194233
C	19284520	MIDGET FUSE 5 AMP 600V AC	2	19194233
D	19284505	FUSE HOLDER BREAKAWAY 1IN AND 1OUT	2	19194233
E	12080402	WIRE # 12 CU 2C W/GRD	20	19194233
F	19282012	LAMP HPS MOGUL BASE 100W	1	19194233
G	12450411	CONN SPLIT BOLT 6 SOLID CU	1	19194233
H	19282072	CONTROLLER COMMUNICATION DECORATIVE	1	19194233

**CU-ID    CU-REF    CU-DESCRIPTION**

DECMBGRNHPS100W240V                  19191033                  DEC MOUNT BONNELL GRN HPS 100W 240V

ID	PART NUM	PART DESC	QTY	CU-REF
1	0000018815	STREET LIGHT DEC MOUNT BONNELL GREEN HPS 100W 240V ASSY	1 EA	19191033
2	0000008496	WASHER SLPA FLAT HOT DIP GALV FOR 1 INCH BOLT	4 EA	19191033

DECMBGRNFIX100WHPS240V                  19191233                  DEC MOUNT BONNELL GRN FIX 100W HPS 240V

ID	PART NUM	PART DESC	QTY	CU-REF
1	0000018802	STREET LIGHT DEC MOUNT BONNELL GRN FIXTURE HPS 00W 240V	1 EA	19191233

DECMBGRNPOLE                                  19191252                  DEC MOUNT BONNELL GRN POLE

ID	PART NUM	PART DESC	QTY	CU-REF
1	0000018825	POLE ST LIGHT DECORATIVE MOUNT BONNELL GRN	1 EA	19191252
2	0000008496	WASHER SLPA FLAT HOT DIP GALV FOR 1 INCH BOLT	4 EA	19191252

1919-42	<b>STREETLIGHTS</b> <b>DECORATIVE MAINTENANCE STREETLIGHT</b> <b>MOUNT BONNELL</b>	
Sheet 24 of 25		
		Rev: 08/01/20

MU-ID	MU-REF	MU-DESCRIPTION
MBGRN250WHP240V	19194234	MOUNT BONNELL GRN 250W HPS 240V

ID	CU-REF	CU-DESC	QTY	MU-REF
A	19191034	DEC MOUNT BONNELL GRN HPS 250W 240V	1	19194234
B	19287003	CLAMP COMPRESSION CU #10 TO #12	6	19194234
C	19284520	MIDGET FUSE 5 AMP 600V AC	2	19194234
D	19284505	FUSE HOLDER BREAKAWAY 1IN AND 1OUT	2	19194234
E	12080402	WIRE # 12 CU 2C W/GRD	20	19194234
F	19282014	LAMP HPS MOGUL BASE 250W	1	19194234
G	12450411	CONN SPLIT BOLT 6 SOLID CU	1	19194234
H	19282072	CONTROLLER COMMUNICATION DECORATIVE	1	19194234

CU-ID	CU-REF	CU-DESCRIPTION
DECMBGRNHP250W240V	19191034	DEC MOUNT BONNELL GRN HPS 250W 240V

ID	PART NUM	PART DESC	QTY	CU-REF
1	0000018818	STREET LIGHT DEC MOUNT BONNELL GREEN HPS 250W 240V ASSY	1 EA	19191034
2	0000008496	WASHER SLPA FLAT HOT DIP GALV FOR 1 INCH BOLT	4 EA	19191034

CU-ID	CU-REF	CU-DESCRIPTION
DECMBGRNFX250WHP240V	19191234	DEC MOUNT BONNELL GRN FIX 250W HPS 240V

ID	PART NUM	PART DESC	QTY	CU-REF
1	0000018809	STREET LIGHT DEC MOUNT BONNELL GRN FIXTURE HPS 250W240V	1 EA	19191234

CU-ID	CU-REF	CU-DESCRIPTION
DECMBGRNPOLE	19191252	DEC MOUNT BONNELL GRN POLE

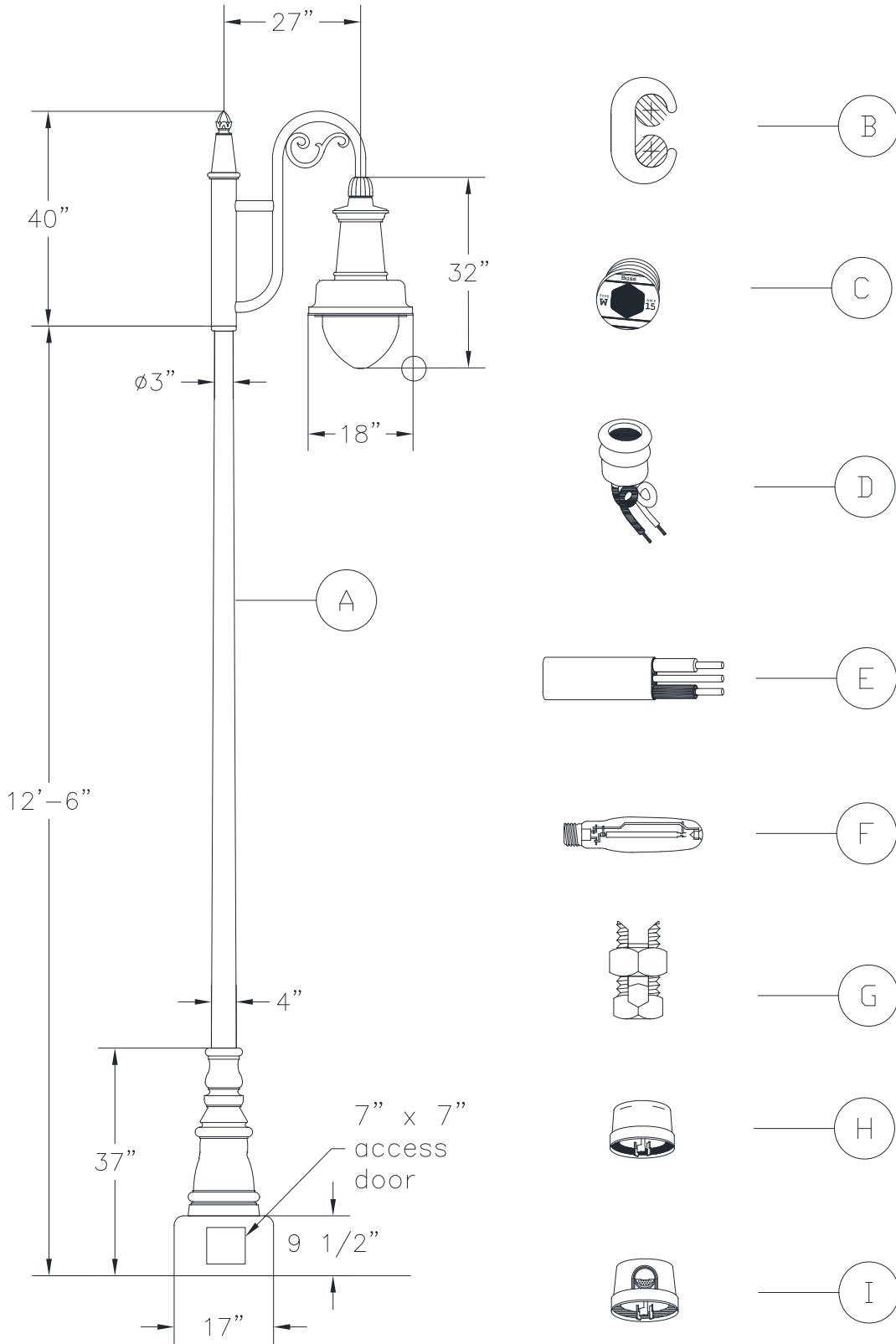
ID	PART NUM	PART DESC	QTY	CU-REF
1	0000018825	POLE ST LIGHT DECORATIVE MOUNT BONNELL GRN	1 EA	19191252
2	0000008496	WASHER SLPA FLAT HOT DIP GALV FOR 1 INCH BOLT	4 EA	19191252

MU-ID	MU-REF	MU-DESCRIPTION
MBGRN100WMH240V	19194235	MOUNT BONNELL GRN 100W MH 240V

ID	CU-REF	CU-DESC	QTY	MU-REF
A	19191035	DEC MOUNT BONNELL GRN MH 100W 240V	1	19194235
B	19287003	CLAMP COMPRESSION CU #10 TO #12	6	19194235
C	19284520	MIDGET FUSE 5 AMP 600V AC	2	19194235
D	19284505	FUSE HOLDER BREAKAWAY 1IN AND 1OUT	2	19194235
E	12080402	WIRE # 12 CU 2C W/GRD	20	19194235
F	19282002	LAMP MTL HALIDE MOGUL BASE 100W	1	19194235
G	12450411	CONN SPLIT BOLT 6 SOLID CU	1	19194235
H	19282072	CONTROLLER COMMUNICATION DECORATIVE	1	19194235



1919-44	<b>STREETLIGHTS</b>	
Sheet 1 of 25	<b>DECORATIVE MAINTENANCE STREETLIGHT</b>	Rev: 08/01/20
	<b>PECAN STREET</b>	



 Rev: 08/01/20	<b>STREETLIGHTS</b> DECORATIVE MAINTENANCE STREETLIGHT <b>PECAN STREET</b>	<b>1919-44</b>
		Sheet 2 of 25

**MU**

<b>MU-ID</b>	<b>MU-REF</b>	<b>MU-DESCRIPTION</b>
--------------	---------------	-----------------------

PSBLK100WHPS120V	19194401	PECAN STREET BLK 100W HPS 120V
------------------	----------	--------------------------------

ID	CU-REF	CU-DESC	QTY	MU-REF
A	19191501	DEC PECAN STREET BLK HPS 100W 120V	1	19194401
B	19287003	CLAMP COMPRESSION CU #10 TO #12	3	19194401
C	19284520	MIDGET FUSE 5 AMP 600V AC	1	19194401
D	19284505	FUSE HOLDER BREAKAWAY 1IN AND 1OUT	1	19194401
E	12080402	WIRE # 12 CU 2C W/GRD	20	19194401
F	19282012	LAMP HPS MOGUL BASE 100W	1	19194401
G	12450411	CONN SPLIT BOLT 6 SOLID CU	1	19194401
H	19282072	CONTROLLER COMMUNICATION DECORATIVE	1	19194401

<b>CU-ID</b>	<b>CU-REF</b>	<b>CU-DESCRIPTION</b>
--------------	---------------	-----------------------

DECPSBLKHPS100W120V	19191501	DEC PECAN STREET BLK HPS 100W 120V
---------------------	----------	------------------------------------

ID	PART NUM	PART DESC	QTY	CU-REF
1	0000017898	STREET LIGHT DEC PECAN STREET BLACK HPS 100W 120V ASSY	1	EA 19191501
2	0000008496	WASHER SLPA FLAT HOT DIP GALV FOR 1 INCH BOLT	4	EA 19191501

DECPSBLKFIX100WHPS120V	19191701	DEC PECAN STREET BLK FIX 100W HPS 120V
------------------------	----------	--

ID	PART NUM	PART DESC	QTY	CU-REF
1	0000018833	STREET LIGHT DEC PECAN STREET BLK FIXTURE HPS 100W 120V	1	EA 19191701

DECPSBLKARM	19191756	DEC PECAN STREET BLACK ARM
-------------	----------	----------------------------

ID	PART NUM	PART DESC	QTY	CU-REF
1	0000022767	ARM, PECAN STREET DECORATIVE POLE, BLACK	1	EA 19191756

<b>MU-ID</b>	<b>MU-REF</b>	<b>MU-DESCRIPTION</b>
--------------	---------------	-----------------------

PSBLK250WHPS120V	19194402	PECAN STREET BLK 250W HPS 120V
------------------	----------	--------------------------------

ID	CU-REF	CU-DESC	QTY	MU-REF
A	19191502	DEC PECAN STREET BLK HPS 250W 120V	1	19194402
B	19287003	CLAMP COMPRESSION CU #10 TO #12	3	19194402
C	19284520	MIDGET FUSE 5 AMP 600V AC	1	19194402
D	19284505	FUSE HOLDER BREAKAWAY 1IN AND 1OUT	1	19194402
E	12080402	WIRE # 12 CU 2C W/GRD	20	19194402
F	19282014	LAMP HPS MOGUL BASE 250W	1	19194402
G	12450411	CONN SPLIT BOLT 6 SOLID CU	1	19194402
H	19282072	CONTROLLER COMMUNICATION DECORATIVE	1	19194402



	<b>STREETLIGHTS</b> <b>DECORATIVE MAINTENANCE STREETLIGHT</b> <b>PECAN STREET</b>	<b>1919-44</b>
		Sheet 4 of 25
Rev: 08/01/20		

**MU-ID MU-REF MU-DESCRIPTION**

PSBLK250WMH120V 19194404 PECAN STREET BLK 250W MH 120V

ID	CU-REF	CU-DESC	QTY	MU-REF
A	19191504	DEC PECAN STREET BLK MH 250W 120V	1	19194404
B	19287003	CLAMP COMPRESSION CU #10 TO #12	3	19194404
C	19284520	MIDGET FUSE 5 AMP 600V AC	1	19194404
D	19284505	FUSE HOLDER BREAKAWAY 1IN AND 1OUT	1	19194404
E	12080402	WIRE # 12 CU 2C W/GRD	20	19194404
F	19282004	LAMP MTL HALIDE MOGUL BASE 250W	1	19194404
G	12450411	CONN SPLIT BOLT 6 SOLID CU	1	19194404
H	19282072	CONTROLLER COMMUNICATION DECORATIVE	1	19194404

**CU-ID CU-REF CU-DESCRIPTION**

DECPSBLKMH250W120V 19191504 DEC PECAN STREET BLK MH 250W 120V

ID	PART NUM	PART DESC	QTY	CU-REF
1	0000017901	ST LIGHT DEC PECAN STREET 250W MH 120V BLACK	1 EA	19191504
2	0000008496	WASHER SLPA FLAT HOT DIP GALV FOR 1 INCH BOLT	4 EA	19191504

DECPSBLKFIX250WMH120V 19191704 DEC PECAN STREET BLK FIX 250W MH 120V

ID	PART NUM	PART DESC	QTY	CU-REF
1	0000018902	STREET LIGHT DEC PECAN STREET BLK FIXTURE MH 250W 120V	1 EA	19191704

DECPSBLKARM 19191756 DEC PECAN STREET BLACK ARM

ID	PART NUM	PART DESC	QTY	CU-REF
1	0000022767	ARM, PECAN STREET DECORATIVE POLE, BLACK	1 EA	19191756

**MU-ID MU-REF MU-DESCRIPTION**

PSBLK100WHPS208V 19194405 PECAN STREET BLK 100W HPS 208V

ID	CU-REF	CU-DESC	QTY	MU-REF
A	19191505	DEC PECAN STREET BLK HPS 100W 208V	1	19194405
B	19287003	CLAMP COMPRESSION CU #10 TO #12	6	19194405
C	19284520	MIDGET FUSE 5 AMP 600V AC	2	19194405
D	19284505	FUSE HOLDER BREAKAWAY 1IN AND 1OUT	2	19194405
E	12080402	WIRE # 12 CU 2C W/GRD	20	19194405
F	19282012	LAMP HPS MOGUL BASE 100W	1	19194405
G	12450411	CONN SPLIT BOLT 6 SOLID CU	1	19194405
H	19282072	CONTROLLER COMMUNICATION DECORATIVE	1	19194405

1919-44	STREETLIGHTS	
Sheet 5 of 25	DECORATIVE MAINTENANCE STREETLIGHT	
	PECAN STREET	Rev: 08/01/20

**CU-ID    CU-REF    CU-DESCRIPTION**

DECPSBLKHPS100W208V                          19191505                          DEC PECAN STREET BLK HPS 100W 208V

ID	PART NUM	PART DESC	QTY		CU-REF
1	0000018905	STREET LIGHT DEC PECAN STREET BLACK HPS 100W 208V ASSY	1	EA	19191505
2	0000008496	WASHER SLPA FLAT HOT DIP GALV FOR 1 INCH BOLT	4	EA	19191505

DECPSBLKFIX100WHPS208V                          19191705                          DEC PECAN STREET BLK FIX 100W HPS 208V

ID	PART NUM	PART DESC	QTY		CU-REF
1	0000018834	STREET LIGHT DEC PECAN STREET BLK FIXTURE HPS 100W 208V	1	EA	19191705

DECPSBLKARM    19191756                          DEC PECAN STREET BLACK ARM

ID	PART NUM	PART DESC	QTY		CU-REF
1	0000022767	ARM, PECAN STREET DECORATIVE POLE, BLACK	1	EA	19191756

**MU-ID    MU-REF    MU-DESCRIPTION**

PSBLK250WHPS208V                                  19194406                          PECAN STREET BLK 250W HPS 208V

ID	CU-REF	CU-DESC	QTY		MU-REF
A	19191506	DEC PECAN STREET BLK HPS 250W 208V	1		19194406
B	19287003	CLAMP COMPRESSION CU #10 TO #12	6		19194406
C	19284520	MIDGET FUSE 5 AMP 600V AC	2		19194406
D	19284505	FUSE HOLDER BREAKAWAY 1IN AND 1OUT	2		19194406
E	12080402	WIRE # 12 CU 2C W/GRD	20		19194406
F	19282014	LAMP HPS MOGUL BASE 250W	1		19194406
G	12450411	CONN SPLIT BOLT 6 SOLID CU	1		19194406
H	19282072	CONTROLLER COMMUNICATION DECORATIVE	1		19194406

**CU-ID    CU-REF    CU-DESCRIPTION**

DECPSBLKHPS250W208V                          19191506                          DEC PECAN STREET BLK HPS 250W 208V

ID	PART NUM	PART DESC	QTY		CU-REF
1	0000018907	STREET LIGHT DEC PECAN STREET BLACK HPS 250W 208V ASSY	1	EA	19191506
2	0000008496	WASHER SLPA FLAT HOT DIP GALV FOR 1 INCH BOLT	4	EA	19191506

DECPSBLKFIX250WHPS208V                          19191706                          DEC PECAN STREET BLK FIX 250W HPS 208V

ID	PART NUM	PART DESC	QTY		CU-REF
1	0000018900	STREET LIGHT DEC PECAN STREET BLK FIXTURE HPS 250W 208V	1	EA	19191706

DECPSBLKARM    19191756                          DEC PECAN STREET BLACK ARM

ID	PART NUM	PART DESC	QTY		CU-REF
1	0000022767	ARM, PECAN STREET DECORATIVE POLE, BLACK	1	EA	19191756







 Rev: 08/01/20	<b>STREETLIGHTS</b> DECORATIVE MAINTENANCE STREETLIGHT <b>PECAN STREET</b>	<b>1919-44</b> Sheet 8 of 25

**MU-ID MU-REF MU-DESCRIPTION**

PSBLK250WHPS240V 19194410 PECAN STREET BLK 250W HPS 240V

ID	CU-REF	CU-DESC	QTY	MU-REF
A	19191510	DEC PECAN STREET BLK HPS 250W 240V	1	19194410
B	19287003	CLAMP COMPRESSION CU #10 TO #12	6	19194410
C	19284520	MIDGET FUSE 5 AMP 600V AC	2	19194410
D	19284505	FUSE HOLDER BREAKAWAY 1IN AND 1OUT	2	19194410
E	12080402	WIRE # 12 CU 2C W/GRD	20	19194410
F	19282014	LAMP HPS MOGUL BASE 250W	1	19194410
G	12450411	CONN SPLIT BOLT 6 SOLID CU	1	19194410
H	19282072	CONTROLLER COMMUNICATION DECORATIVE	1	19194410

**CU-ID CU-REF CU-DESCRIPTION**

DECPSBLKHPS250W240V 19191510 DEC PECAN STREET BLK HPS 250W 240V

ID	PART NUM	PART DESC	QTY	CU-REF
1	0000018908	STREET LIGHT DEC PECAN STREET BLACK HPS 250W 240V ASSY	1 EA	19191510
2	0000008496	WASHER SLPA FLAT HOT DIP GALV FOR 1 INCH BOLT	4 EA	19191510

DECPSBLKFIX250WHPS240V 19191710 DEC PECAN STREET BLK FIX 250W HPS 240V

ID	PART NUM	PART DESC	QTY	CU-REF
1	0000018901	STREET LIGHT DEC PECAN STREET BLK HPS FIXTURE 250W 240V	1 EA	19191710

DECPSBLKARM 19191756 DEC PECAN STREET BLACK ARM

ID	PART NUM	PART DESC	QTY	CU-REF
1	0000022767	ARM, PECAN STREET DECORATIVE POLE, BLACK	1 EA	19191756

**MU-ID MU-REF MU-DESCRIPTION**

PSBLK100WMH240V 19194411 PECAN STREET BLK 100W MH 240V

ID	CU-REF	CU-DESC	QTY	MU-REF
A	19191511	DEC PECAN STREET BLK MH 100W 240V	1	19194411
B	19287003	CLAMP COMPRESSION CU #10 TO #12	6	19194411
C	19284520	MIDGET FUSE 5 AMP 600V AC	2	19194411
D	19284505	FUSE HOLDER BREAKAWAY 1IN AND 1OUT	2	19194411
E	12080402	WIRE # 12 CU 2C W/GRD	20	19194411
F	19282002	LAMP MTL HALIDE MOGUL BASE 100W	1	19194411
G	12450411	CONN SPLIT BOLT 6 SOLID CU	1	19194411
H	19282072	CONTROLLER COMMUNICATION DECORATIVE	1	19194411



 Rev: 08/01/20	<b>STREETLIGHTS</b> DECORATIVE MAINTENANCE STREETLIGHT <b>PECAN STREET</b>	<b>1919-44</b> Sheet 10 of 25

**MU-ID MU-REF MU-DESCRIPTION**

PSBRN100WHPS120V 19194413 PECAN STREET BRN 100W HPS 120V

ID	CU-REF	CU-DESC	QTY	MU-REF
A	19191513	DEC PECAN STREET BRN HPS 100W 120V	1	19194413
B	19287003	CLAMP COMPRESSION CU #10 TO #12	3	19194413
C	19284520	MIDGET FUSE 5 AMP 600V AC	1	19194413
D	19284505	FUSE HOLDER BREAKAWAY 1IN AND 1OUT	1	19194413
E	12080402	WIRE # 12 CU 2C W/GRD	20	19194413
F	19282012	LAMP HPS MOGUL BASE 100W	1	19194413
G	12450411	CONN SPLIT BOLT 6 SOLID CU	1	19194413
H	19282072	CONTROLLER COMMUNICATION DECORATIVE	1	19194413

**CU-ID CU-REF CU-DESCRIPTION**

DECPSBRNHPS100W120V 19191513 DEC PECAN STREET BRN HPS 100W 120V

ID	PART NUM	PART DESC	QTY	CU-REF
1	0000018927	STREET LIGHT DEC PECAN STREET BROWN HPS 100W 120V ASSY	1 EA	19191513
2	0000008496	WASHER SLPA FLAT HOT DIP GALV FOR 1 INCH BOLT	4 EA	19191513

DECPSBRNFX100WHPS120V 19191713 DEC PECAN STREET BRN FIX 100W HPS 120V

ID	PART NUM	PART DESC	QTY	CU-REF
1	0000018915	STREET LIGHT DEC PECAN STREET BRN FIXTURE HPS 100W 120V	1 EA	19191713

DECPSBRNARM 19191757 DEC PECAN STREET BROWN ARM

ID	PART NUM	PART DESC	QTY	CU-REF
1	0000022766	ARM, PECAN STREET DECORATIVE POLE, BROWN	1 EA	19191757

**MU-ID MU-REF MU-DESCRIPTION**

PSBRN250WHPS120V 19194414 PECAN STREET BRN 250W HPS 120V

ID	CU-REF	CU-DESC	QTY	MU-REF
A	19191514	DEC PECAN STREET BRN HPS 250W 120V	1	19194414
B	19287003	CLAMP COMPRESSION CU #10 TO #12	3	19194414
C	19284520	MIDGET FUSE 5 AMP 600V AC	1	19194414
D	19284505	FUSE HOLDER BREAKAWAY 1IN AND 1OUT	1	19194414
E	12080402	WIRE # 12 CU 2C W/GRD	20	19194414
F	19282014	LAMP HPS MOGUL BASE 250W	1	19194414
G	12450411	CONN SPLIT BOLT 6 SOLID CU	1	19194414
H	19282072	CONTROLLER COMMUNICATION DECORATIVE	1	19194414



	<b>STREETLIGHTS</b> <b>DECORATIVE MAINTENANCE STREETLIGHT</b> <b>PECAN STREET</b>	<b>1919-44</b>
		Sheet 12 of 25
Rev: 08/01/20		

**MU-ID MU-REF MU-DESCRIPTION**

PSBRN250WMH120V 19194416 PECAN STREET BRN 250W MH 120V

ID	CU-REF	CU-DESC	QTY	MU-REF
A	19191516	DEC PECAN STREET BRN MH 250W 120V	1	19194416
B	19287003	CLAMP COMPRESSION CU #10 TO #12	3	19194416
C	19284520	MIDGET FUSE 5 AMP 600V AC	1	19194416
D	19284505	FUSE HOLDER BREAKAWAY 1IN AND 1OUT	1	19194416
E	12080402	WIRE # 12 CU 2C W/GRD	20	19194416
F	19282004	LAMP MTL HALIDE MOGUL BASE 250W	1	19194416
G	12450411	CONN SPLIT BOLT 6 SOLID CU	1	19194416
H	19282072	CONTROLLER COMMUNICATION DECORATIVE	1	19194416

**CU-ID CU-REF CU-DESCRIPTION**

DECPSBRNMH250W120V 19191516 DEC PECAN STREET BRN MH 250W 120V

ID	PART NUM	PART DESC	QTY	CU-REF
1	0000018936	STREET LIGHT DEC PECAN STREET BROWN MH 250W 120V ASSY	1 EA	19191516
2	0000008496	WASHER SLPA FLAT HOT DIP GALV FOR 1 INCH BOLT	4 EA	19191516

DECPSBRNFX250WMH120V 19191716 DEC PECAN STREET BRN FIX 250W MH 120V

ID	PART NUM	PART DESC	QTY	CU-REF
1	0000018924	STREET LIGHT DEC PECAN STREET BRN FIXTURE MH 250W 120V	1 EA	19191716

DECPSBRNARM 19191757 DEC PECAN STREET BROWN ARM

ID	PART NUM	PART DESC	QTY	CU-REF
1	0000022766	ARM, PECAN STREET DECORATIVE POLE, BROWN	1 EA	19191757

**MU-ID MU-REF MU-DESCRIPTION**

PSBRN100WHPS208V 19194417 PECAN STREET BRN 100W HPS 208V

ID	CU-REF	CU-DESC	QTY	MU-REF
A	19191517	DEC PECAN STREET BRN HPS 100W 208V	1	19194417
B	19287003	CLAMP COMPRESSION CU #10 TO #12	6	19194417
C	19284520	MIDGET FUSE 5 AMP 600V AC	2	19194417
D	19284505	FUSE HOLDER BREAKAWAY 1IN AND 1OUT	2	19194417
E	12080402	WIRE # 12 CU 2C W/GRD	20	19194417
F	19282012	LAMP HPS MOGUL BASE 100W	1	19194417
G	12450411	CONN SPLIT BOLT 6 SOLID CU	1	19194417
H	19282072	CONTROLLER COMMUNICATION DECORATIVE	1	19194417





	<b>STREETLIGHTS</b> <b>DECORATIVE MAINTENANCE STREETLIGHT</b> <b>PECAN STREET</b>	<b>1919-44</b>
		Sheet 14 of 25
Rev: 08/01/20		

**MU-ID MU-REF MU-DESCRIPTION**

PSBRN100WMH208V 19194419 PECAN STREET BRN 100W MH 208V

ID	CU-REF	CU-DESC	QTY	MU-REF
A	19191519	DEC PECAN STREET BRN MH 100W 208V	1	19194419
B	19287003	CLAMP COMPRESSION CU #10 TO #12	6	19194419
C	19284520	MIDGET FUSE 5 AMP 600V AC	2	19194419
D	19284505	FUSE HOLDER BREAKAWAY 1IN AND 1OUT	2	19194419
E	12080402	WIRE # 12 CU 2C W/GRD	20	19194419
F	19282002	LAMP MTL HALIDE MOGUL BASE 100W	1	19194419
G	12450411	CONN SPLIT BOLT 6 SOLID CU	1	19194419
H	19282072	CONTROLLER COMMUNICATION DECORATIVE	1	19194419

**CU-ID CU-REF CU-DESCRIPTION**

DECPSBRNMH100W208V 19191519 DEC PECAN STREET BRN MH 100W 208V

ID	PART NUM	PART DESC	QTY	CU-REF
1	0000018934	ST LIGHT DEC PECAN STREET MH 100W 208V BROWN	1 EA	19191519
2	0000008496	WASHER SLPA FLAT HOT DIP GALV FOR 1 INCH BOLT	4 EA	19191519

DECPSBRNFX100WMH208V 19191719 DEC PECAN STREET BRN FIX 100W MH 208V

ID	PART NUM	PART DESC	QTY	CU-REF
1	0000018920	STREET LIGHT DEC PECAN STREET BRN FIXTURE MH 100W 208V	1 EA	19191719

DECPSBRNARM 19191757 DEC PECAN STREET BROWN ARM

ID	PART NUM	PART DESC	QTY	CU-REF
1	0000022766	ARM, PECAN STREET DECORATIVE POLE, BROWN	1 EA	19191757

**MU-ID MU-REF MU-DESCRIPTION**

PSBRN250WMH208V 19194420 PECAN STREET BRN 250W MH 208V

ID	CU-REF	CU-DESC	QTY	MU-REF
A	19191520	DEC PECAN STREET BRN MH 250W 208V	1	19194420
B	19287003	CLAMP COMPRESSION CU #10 TO #12	6	19194420
C	19284520	MIDGET FUSE 5 AMP 600V AC	2	19194420
D	19284505	FUSE HOLDER BREAKAWAY 1IN AND 1OUT	2	19194420
E	12080402	WIRE # 12 CU 2C W/GRD	20	19194420
F	19282004	LAMP MTL HALIDE MOGUL BASE 250W	1	19194420
G	12450411	CONN SPLIT BOLT 6 SOLID CU	1	19194420
H	19282072	CONTROLLER COMMUNICATION DECORATIVE	1	19194420

<b>1919-44</b>	<b>STREETLIGHTS</b>	
Sheet 15 of 25	<b>DECORATIVE MAINTENANCE STREETLIGHT</b>	
	<b>PECAN STREET</b>	Rev: 08/01/20

<b>CU-ID</b>	<b>CU-REF</b>	<b>CU-DESCRIPTION</b>
--------------	---------------	-----------------------

DECPSBRNMH250W208V	19191520	DEC PECAN STREET BRN MH 250W 208V
--------------------	----------	-----------------------------------

ID	PART NUM	PART DESC	QTY	CU-REF
1	0000018937	STREET LIGHT DEC PECAN STREETS BROWN MH 250W 208V ASSY	1 EA	19191520
2	0000008496	WASHER SLPA FLAT HOT DIP GALV FOR 1 INCH BOLT	4 EA	19191520

DECPSBRNFIX250WMH208V	19191720	DEC PECAN STREET BRN FIX 250W MH 208V
-----------------------	----------	---------------------------------------

ID	PART NUM	PART DESC	QTY	CU-REF
1	0000018925	STREET LIGHT DEC PECAN STREET BRN FIXTURE MH 250W 208V	1 EA	19191720

DECPSBRNARM	19191757	DEC PECAN STREET BROWN ARM
-------------	----------	----------------------------

ID	PART NUM	PART DESC	QTY	CU-REF
1	0000022766	ARM, PECAN STREET DECORATIVE POLE, BROWN	1 EA	19191757

<b>MU-ID</b>	<b>MU-REF</b>	<b>MU-DESCRIPTION</b>
--------------	---------------	-----------------------

PSBRN100WHPS240V	19194421	PECAN STREET BRN 100W HPS 240V
------------------	----------	--------------------------------

ID	CU-REF	CU-DESC	QTY	MU-REF
A	19191521	DEC PECAN STREET BRN HPS 100W 240V	1	19194421
B	19287003	CLAMP COMPRESSION CU #10 TO #12	6	19194421
C	19284520	MIDGET FUSE 5 AMP 600V AC	2	19194421
D	19284505	FUSE HOLDER BREAKAWAY 1IN AND 1OUT	2	19194421
E	12080402	WIRE # 12 CU 2C W/GRD	20	19194421
F	19282012	LAMP HPS MOGUL BASE 100W	1	19194421
G	12450411	CONN SPLIT BOLT 6 SOLID CU	1	19194421
H	19282072	CONTROLLER COMMUNICATION DECORATIVE	1	19194421

<b>CU-ID</b>	<b>CU-REF</b>	<b>CU-DESCRIPTION</b>
--------------	---------------	-----------------------

DECPSBRNHPS100W240V	19191521	DEC PECAN STREET BRN HPS 100W 240V
---------------------	----------	------------------------------------


ID	PART NUM	PART DESC	QTY	CU-REF
1	0000018929	STREET LIGHT DEC PECAN STREET BROWN HPS 100W 240V ASSY	1 EA	19191521
2	0000008496	WASHER SLPA FLAT HOT DIP GALV FOR 1 INCH BOLT	4 EA	19191521

DECPSBRNFIX100WHPS240V	19191721	DEC PECAN STREET BRN FIX 100W HPS 240V
------------------------	----------	--

ID	PART NUM	PART DESC	QTY	CU-REF
1	0000018918	STREET LIGHT DEC PECAN STREET BRN FIXTURE HPS 100W 240V	1 EA	19191721

DECPSBRNARM	19191757	DEC PECAN STREET BROWN ARM
-------------	----------	----------------------------

ID	PART NUM	PART DESC	QTY	CU-REF
1	0000022766	ARM, PECAN STREET DECORATIVE POLE, BROWN	1 EA	19191757

 Rev: 08/01/20	<b>STREETLIGHTS</b> DECORATIVE MAINTENANCE STREETLIGHT <b>PECAN STREET</b>	<b>1919-44</b> Sheet 16 of 25

**MU-ID MU-REF MU-DESCRIPTION**

PSBRN250WHPS240V 19194422 PECAN STREET BRN 250W HPS 240V

ID	CU-REF	CU-DESC	QTY	MU-REF
A	19191522	DEC PECAN STREET BRN HPS 250W 240V	1	19194422
B	19287003	CLAMP COMPRESSION CU #10 TO #12	6	19194422
C	19284520	MIDGET FUSE 5 AMP 600V AC	2	19194422
D	19284505	FUSE HOLDER BREAKAWAY 1IN AND 1OUT	2	19194422
E	12080402	WIRE # 12 CU 2C W/GRD	20	19194422
F	19282014	LAMP HPS MOGUL BASE 250W	1	19194422
G	12450411	CONN SPLIT BOLT 6 SOLID CU	1	19194422
H	19282072	CONTROLLER COMMUNICATION DECORATIVE	1	19194422

**CU-ID CU-REF CU-DESCRIPTION**

DECPSBRNHPS250W240V 19191522 DEC PECAN STREET BRN HPS 250W 240V

ID	PART NUM	PART DESC	QTY	CU-REF
1	0000018932	STREET LIGHT DEC PECAN STREET BROWN HPS 250W 240V ASSY	1 EA	19191522
2	0000008496	WASHER SLPA FLAT HOT DIP GALV FOR 1 INCH BOLT	4 EA	19191522

DECPSBRNFIX250WHPS240V 19191722 DEC PECAN STREET BRN FIX 250W HPS 240V

ID	PART NUM	PART DESC	QTY	CU-REF
1	0000018923	STREET LIGHT DEC PECAN STREET BRN FIXTURE 250W HPS 240V	1 EA	19191722

DECPSBRNARM 19191757 DEC PECAN STREET BROWN ARM

ID	PART NUM	PART DESC	QTY	CU-REF
1	0000022766	ARM, PECAN STREET DECORATIVE POLE, BROWN	1 EA	19191757

**MU-ID MU-REF MU-DESCRIPTION**

PSBRN100WMH240V 19194423 PECAN STREET BRN 100W MH 240V

ID	CU-REF	CU-DESC	QTY	MU-REF
A	19191523	DEC PECAN STREET BRN MH 100W 240V	1	19194423
B	19287003	CLAMP COMPRESSION CU #10 TO #12	6	19194423
C	19284520	MIDGET FUSE 5 AMP 600V AC	2	19194423
D	19284505	FUSE HOLDER BREAKAWAY 1IN AND 1OUT	2	19194423
E	12080402	WIRE # 12 CU 2C W/GRD	20	19194423
F	19282002	LAMP MTL HALIDE MOGUL BASE 100W	1	19194423
G	12450411	CONN SPLIT BOLT 6 SOLID CU	1	19194423
H	19282072	CONTROLLER COMMUNICATION DECORATIVE	1	19194423

1919-44	<b>STREETLIGHTS</b> <b>DECORATIVE MAINTENANCE STREETLIGHT</b> <b>PECAN STREET</b>	 Rev: 08/01/20
Sheet 17 of 25		

**CU-ID                                    CU-REF                                    CU-DESCRIPTION**

DECPSBRNMH100W240V                    19191523                    DEC PECAN STREET BRN MH 100W 240V

<b>ID</b>	<b>PART NUM</b>	<b>PART DESC</b>	<b>QTY</b>		<b>CU-REF</b>
1	0000018935	STREET LIGHT DEC PECAN STREET BROWN MH 100W 240V ASSY	1	EA	19191523
2	0000008496	WASHER SLPA FLAT HOT DIP GALV FOR 1 INCH BOLT	4	EA	19191523

DECPSBRNFIX100WMH240V                    19191723                    DEC PECAN STREET BRN FIX 100W MH 240V

<b>ID</b>	<b>PART NUM</b>	<b>PART DESC</b>	<b>QTY</b>		<b>CU-REF</b>
1	0000018917	STREET LIGHT DEC PECAN STREET BRN FIXTURE MH 100W 240V	1	EA	19191723

DECPSBRNARM                    19191757                    DEC PECAN STREET BROWN ARM

<b>ID</b>	<b>PART NUM</b>	<b>PART DESC</b>	<b>QTY</b>		<b>CU-REF</b>
1	0000022766	ARM, PECAN STREET DECORATIVE POLE, BROWN	1	EA	19191757

**MU-ID                                    MU-REF                                    MU-DESCRIPTION**

PSBRN250WMH240V                    19194424                    PECAN STREET BRN 250W MH 240V

<b>ID</b>	<b>CU-REF</b>	<b>CU-DESC</b>	<b>QTY</b>	<b>MU-REF</b>
A	19191524	DEC PECAN STREET BRN MH 250W 240V	1	19194424
B	19287003	CLAMP COMPRESSION CU #10 TO #12	6	19194424
C	19284520	MIDGET FUSE 5 AMP 600V AC	2	19194424
D	19284505	FUSE HOLDER BREAKAWAY 1IN AND 1OUT	2	19194424
E	12080402	WIRE # 12 CU 2C W/GRD	20	19194424
F	19282004	LAMP MTL HALIDE MOGUL BASE 250W	1	19194424
G	12450411	CONN SPLIT BOLT 6 SOLID CU	1	19194424
H	19282072	CONTROLLER COMMUNICATION DECORATIVE	1	19194424

**CU-ID                                    CU-REF                                    CU-DESCRIPTION**

DECPSBRNMH250W240V                    19191524                    DEC PECAN STREET BRN MH 250W 240V

<b>ID</b>	<b>PART NUM</b>	<b>PART DESC</b>	<b>QTY</b>		<b>CU-REF</b>
1	0000018938	STREET LIGHT DEC PECAN STREET BROWN MH 250W 240V ASSY	1	EA	19191524
2	0000008496	WASHER SLPA FLAT HOT DIP GALV FOR 1 INCH BOLT	4	EA	19191524

DECPSBRNFIX250WMH240V                    19191724                    DEC PECAN STREET BRN FIX 250W MH 240V

<b>ID</b>	<b>PART NUM</b>	<b>PART DESC</b>	<b>QTY</b>		<b>CU-REF</b>
1	0000018926	STREET LIGHT DEC PECAN STREET BRN FIXTURE MH 250W 240V	1	EA	19191724

DECPSBRNARM                    19191757                    DEC PECAN STREET BROWN ARM

<b>ID</b>	<b>PART NUM</b>	<b>PART DESC</b>	<b>QTY</b>		<b>CU-REF</b>
1	0000022766	ARM, PECAN STREET DECORATIVE POLE, BROWN	1	EA	19191757

	<b>STREETLIGHTS</b> <b>DECORATIVE MAINTENANCE STREETLIGHT</b> <b>PECAN STREET</b>	<b>1919-44</b>
		Sheet 18 of 25
Rev: 08/01/20		

**MU-ID MU-REF MU-DESCRIPTION**

PSGRN100WHPS120V 19194425 PECAN STREET GRN 100W HPS 120V

ID	CU-REF	CU-DESC	QTY	MU-REF
A	19191525	DEC PECAN STREET GRN HPS 100W 120V	1	19194425
B	19287003	CLAMP COMPRESSION CU #10 TO #12	3	19194425
C	19284520	MIDGET FUSE 5 AMP 600V AC	1	19194425
D	19284505	FUSE HOLDER BREAKAWAY 1IN AND 1OUT	1	19194425
E	12080402	WIRE # 12 CU 2C W/GRD	20	19194425
F	19282012	LAMP HPS MOGUL BASE 100W	1	19194425
G	12450411	CONN SPLIT BOLT 6 SOLID CU	1	19194425
H	19282072	CONTROLLER COMMUNICATION DECORATIVE	1	19194425

**CU-ID CU-REF CU-DESCRIPTION**

DECPSGRNHPS100W120V 19191525 DEC PECAN STREET GRN HPS 100W 120V

ID	PART NUM	PART DESC	QTY	CU-REF
1	0000018954	STREET LIGHT DEC PECAN STREET GRN HPS 100W 120V ASSY	1 EA	19191525
2	0000008496	WASHER SLPA FLAT HOT DIP GALV FOR 1 INCH BOLT	4 EA	19191525

DECPSGRNFIX100WHPS120V 19191725 DEC PECAN STREET GRN FIX 100W HPS 120V

ID	PART NUM	PART DESC	QTY	CU-REF
1	0000018990	STREET LIGHT DEC PECAN STREET GRN FIXTURE HPS 100W 120V	1 EA	19191725

DECPSGRNARM 19191758 DEC PECAN STREET GREEN ARM

ID	PART NUM	PART DESC	QTY	CU-REF
1	0000022765	ARM, PECAN STREET DECORATIVE POLE, GREEN	1 EA	19191758

**MU-ID MU-REF MU-DESCRIPTION**

PSGRN250WHPS120V 19194426 PECAN STREET GRN 250W HPS 120V

ID	CU-REF	CU-DESC	QTY	MU-REF
A	19191526	DEC PECAN STREET GRN HPS 250W 120V	1	19194426
B	19287003	CLAMP COMPRESSION CU #10 TO #12	3	19194426
C	19284520	MIDGET FUSE 5 AMP 600V AC	1	19194426
D	19284505	FUSE HOLDER BREAKAWAY 1IN AND 1OUT	1	19194426
E	12080402	WIRE # 12 CU 2C W/GRD	20	19194426
F	19282014	LAMP HPS MOGUL BASE 250W	1	19194426
G	12450411	CONN SPLIT BOLT 6 SOLID CU	1	19194426
H	19282072	CONTROLLER COMMUNICATION DECORATIVE	1	19194426

<b>1919-44</b>	<b>STREETLIGHTS</b>	
Sheet 19 of 25	<b>DECORATIVE MAINTENANCE STREETLIGHT</b>	
	<b>PECAN STREET</b>	Rev: 08/01/20

**CU-ID                                        CU-REF                                        CU-DESCRIPTION**

DECPSGRNHPS250W120V                        19191526                        DEC PECAN STREET GRN HPS 250W 120V

ID	PART NUM	PART DESC	QTY		CU-REF
1	0000018957	STREET LIGHT DEC PECAN STREET GREEN HPS 250W 120V ASSY	1	EA	19191526
2	0000008496	WASHER SLPA FLAT HOT DIP GALV FOR 1 INCH BOLT	4	EA	19191526

DECPSGRNFIX250WHPS120V                        19191726                        DEC PECAN STREET GRN FIX 250W HPS 120V

ID	PART NUM	PART DESC	QTY		CU-REF
1	0000018991	STREET LIGHT DEC PECAN STREET GRN FIXTURE HPS 250W 120V	1	EA	19191726

DECPSGRNARM                                        19191758                        DEC PECAN STREET GREEN ARM

ID	PART NUM	PART DESC	QTY		CU-REF
1	0000022765	ARM, PECAN STREET DECORATIVE POLE, GREEN	1	EA	19191758

**MU-ID                                        MU-REF                                        MU-DESCRIPTION**

PSGRN100WMH120V                                        19194427                        PECAN STREET GRN 100W MH 120V

ID	CU-REF	CU-DESC	QTY	MU-REF
A	19191527	DEC PECAN STREET GRN MH 100W 120V	1	19194427
B	19287003	CLAMP COMPRESSION CU #10 TO #12	3	19194427
C	19284520	MIDGET FUSE 5 AMP 600V AC	1	19194427
D	19284505	FUSE HOLDER BREAKAWAY 1IN AND 1OUT	1	19194427
E	12080402	WIRE # 12 CU 2C W/GRD	20	19194427
F	19282002	LAMP MTL HALIDE MOGUL BASE 100W	1	19194427
G	12450411	CONN SPLIT BOLT 6 SOLID CU	1	19194427
H	19282072	CONTROLLER COMMUNICATION DECORATIVE	1	19194427

**CU-ID                                        CU-REF                                        CU-DESCRIPTION**

DECPSGRNMH100W120V                        19191527                        DEC PECAN STREET GRN MH 100W 120V

ID	PART NUM	PART DESC	QTY		CU-REF
1	0000018960	STREET LIGHT DEC PECAN STREET GRN MH 100W 120V ASSY	1	EA	19191527
2	0000008496	WASHER SLPA FLAT HOT DIP GALV FOR 1 INCH BOLT	4	EA	19191527

DECPSGRNFIX100WMH120V                        19191727                        DEC PECAN STREET GRN FIX 100W MH 120V

ID	PART NUM	PART DESC	QTY		CU-REF
1	0000018992	STREET LIGHT DEC PECAN STREET GRN FIXTURE MH 100W 120V	1	EA	19191727

DECPSGRNARM                                        19191758                        DEC PECAN STREET GREEN ARM

ID	PART NUM	PART DESC	QTY		CU-REF
1	0000022765	ARM, PECAN STREET DECORATIVE POLE, GREEN	1	EA	19191758

 Rev: 08/01/20	<b>STREETLIGHTS</b> DECORATIVE MAINTENANCE STREETLIGHT <b>PECAN STREET</b>	<b>1919-44</b> Sheet 20 of 25

**MU-ID MU-REF MU-DESCRIPTION**

PSGRN250WMH120V 19194428 PECAN STREET GRN 250W MH 120V

ID	CU-REF	CU-DESC	QTY	MU-REF
A	19191528	DEC PECAN STREET GRN MH 250W 120V	1	19194428
B	19287003	CLAMP COMPRESSION CU #10 TO #12	3	19194428
C	19284520	MIDGET FUSE 5 AMP 600V AC	1	19194428
D	19284505	FUSE HOLDER BREAKAWAY 1IN AND 1OUT	1	19194428
E	12080402	WIRE # 12 CU 2C W/GRD	20	19194428
F	19282004	LAMP MTL HALIDE MOGUL BASE 250W	1	19194428
G	12450411	CONN SPLIT BOLT 6 SOLID CU	1	19194428
H	19282072	CONTROLLER COMMUNICATION DECORATIVE	1	19194428

**CU-ID CU-REF CU-DESCRIPTION**

DECPSGRNMH250W120V 19191528 DEC PECAN STREET GRN MH 250W 120V

ID	PART NUM	PART DESC	QTY	CU-REF
1	0000018963	STREET LIGHT DEC PECAN STREET GREEN MH 250W 120V ASSY	1 EA	19191528
2	0000008496	WASHER SLPA FLAT HOT DIP GALV FOR 1 INCH BOLT	4 EA	19191528

DECPSGRNFIX250WMH120V 19191728 DEC PECAN STREET GRN FIX 250W MH 120V

ID	PART NUM	PART DESC	QTY	CU-REF
1	0000018993	STREET LIGHT DEC PECAN STREET GRN FIXTURE MH 250W 120V	1 EA	19191728

DECPSGRNARM 19191758 DEC PECAN STREET GREEN ARM

ID	PART NUM	PART DESC	QTY	CU-REF
1	0000022765	ARM, PECAN STREET DECORATIVE POLE, GREEN	1 EA	19191758

**MU-ID MU-REF MU-DESCRIPTION**

PSGRN100WHPS208V 19194429 PECAN STREET GRN 100W HPS 208V

ID	CU-REF	CU-DESC	QTY	MU-REF
A	19191529	DEC PECAN STREET GRN HPS 100W 208V	1	19194429
B	19287003	CLAMP COMPRESSION CU #10 TO #12	6	19194429
C	19284520	MIDGET FUSE 5 AMP 600V AC	2	19194429
D	19284505	FUSE HOLDER BREAKAWAY 1IN AND 1OUT	2	19194429
E	12080402	WIRE # 12 CU 2C W/GRD	20	19194429
F	19282012	LAMP HPS MOGUL BASE 100W	1	19194429
G	12450411	CONN SPLIT BOLT 6 SOLID CU	1	19194429
H	19282072	CONTROLLER COMMUNICATION DECORATIVE	1	19194429

<b>1919-44</b>	<b>STREETLIGHTS</b>	
Sheet 21 of 25	<b>DECORATIVE MAINTENANCE STREETLIGHT</b>	
	<b>PECAN STREET</b>	
		Rev: 08/01/20

**CU-ID    CU-REF    CU-DESCRIPTION**

DECPSGRNHPS100W208V                          19191529                          DEC PECAN STREET GRN HPS 100W 208V

ID	PART NUM	PART DESC	QTY		CU-REF
1	0000018955	STREET LIGHT DEC PECAN STREET GRN HPS 100W 208V ASSY	1	EA	19191529
2	0000008496	WASHER SLPA FLAT HOT DIP GALV FOR 1 INCH BOLT	4	EA	19191529

DECPSGRNFIX100WHPS208V                          19191729                          DEC PECAN STREET GRN FIX 100W HPS 208V

ID	PART NUM	PART DESC	QTY		CU-REF
1	0000018994	STREET LIGHT DEC PECAN STREET GRN FIXTURE HPS 100W 208V	1	EA	19191729

DECPSGRNARM    19191758                          DEC PECAN STREET GREEN ARM

ID	PART NUM	PART DESC	QTY		CU-REF
1	0000022765	ARM, PECAN STREET DECORATIVE POLE, GREEN	1	EA	19191758

**MU-ID    MU-REF    MU-DESCRIPTION**

PSGRN250WHPS208V                                  19194430                          PECAN STREET GRN 250W HPS 208V

ID	CU-REF	CU-DESC	QTY		MU-REF
A	19191530	DEC PECAN STREET GRN HPS 250W 208V	1		19194430
B	19287003	CLAMP COMPRESSION CU #10 TO #12	6		19194430
C	19284520	MIDGET FUSE 5 AMP 600V AC	2		19194430
D	19284505	FUSE HOLDER BREAKAWAY 1IN AND 1OUT	2		19194430
E	12080402	WIRE # 12 CU 2C W/GRD	20		19194430
F	19282014	LAMP HPS MOGUL BASE 250W	1		19194430
G	12450411	CONN SPLIT BOLT 6 SOLID CU	1		19194430
H	19282072	CONTROLLER COMMUNICATION DECORATIVE	1		19194430

**CU-ID    CU-REF    CU-DESCRIPTION**

DECPSGRNHPS250W208V                          19191530                          DEC PECAN STREET GRN HPS 250W 208V

ID	PART NUM	PART DESC	QTY		CU-REF
1	0000018958	STREET LIGHT DEC PECAN STREET GREEN HPS 250W 208V ASSY	1	EA	19191530
2	0000008496	WASHER SLPA FLAT HOT DIP GALV FOR 1 INCH BOLT	4	EA	19191530

DECPSGRNFIX250WHPS208V                          19191730                          DEC PECAN STREET GRN FIX 250W HPS 208V

ID	PART NUM	PART DESC	QTY		CU-REF
1	0000018995	STREET LIGHT DEC PECAN STREET GRN FIXTURE HPS 250W 208V	1	EA	19191730

DECPSGRNARM    19191758                          DEC PECAN STREET GREEN ARM

ID	PART NUM	PART DESC	QTY		CU-REF
1	0000022765	ARM, PECAN STREET DECORATIVE POLE, GREEN	1	EA	19191758



 Rev: 08/01/20	<b>STREETLIGHTS</b>	<b>1919-44</b>
	<b>DECORATIVE MAINTENANCE STREETLIGHT</b>	
	<b>PECAN STREET</b>	

**MU-ID MU-REF MU-DESCRIPTION**

PSGRN100WMH208V 19194431 PECAN STREET GRN 100W MH 208V

ID	CU-REF	CU-DESC	QTY	MU-REF
A	19191531	DEC PECAN STREET GRN MH 100W 208V	1	19194431
B	19287003	CLAMP COMPRESSION CU #10 TO #12	6	19194431
C	19284520	MIDGET FUSE 5 AMP 600V AC	2	19194431
D	19284505	FUSE HOLDER BREAKAWAY 1IN AND 1OUT	2	19194431
E	12080402	WIRE # 12 CU 2C W/GRD	20	19194431
F	19282002	LAMP MTL HALIDE MOGUL BASE 100W	1	19194431
G	12450411	CONN SPLIT BOLT 6 SOLID CU	1	19194431
H	19282072	CONTROLLER COMMUNICATION DECORATIVE	1	19194431

**CU-ID CU-REF CU-DESCRIPTION**

DECPSGRNMH100W208V 19191531 DEC PECAN STREET GRN MH 100W 208V

ID	PART NUM	PART DESC	QTY	CU-REF
1	0000018961	STREET LIGHT DEC PECAN STREET GREEN MH 100W 208V ASSY	1 EA	19191531
2	0000008496	WASHER SLPA FLAT HOT DIP GALV FOR 1 INCH BOLT	4 EA	19191531

DECPSGRNFIX100WMH208V 19191731 DEC PECAN STREET GRN FIX 100W MH 208V

ID	PART NUM	PART DESC	QTY	CU-REF
1	0000018996	STREET LIGHT DEC PECAN STREET GRN FIXTURE MH 100W 208V	1 EA	19191731

DECPSGRNARM 19191758 DEC PECAN STREET GREEN ARM

ID	PART NUM	PART DESC	QTY	CU-REF
1	0000022765	ARM, PECAN STREET DECORATIVE POLE, GREEN	1 EA	19191758

**MU-ID MU-REF MU-DESCRIPTION**

PSGRN250WMH208V 19194432 PECAN STREET GRN 250W MH 208V

ID	CU-REF	CU-DESC	QTY	MU-REF
A	19191532	DEC PECAN STREET GRN MH 250W 208V	1	19194432
B	19287003	CLAMP COMPRESSION CU #10 TO #12	6	19194432
C	19284520	MIDGET FUSE 5 AMP 600V AC	2	19194432
D	19284505	FUSE HOLDER BREAKAWAY 1IN AND 1OUT	2	19194432
E	12080402	WIRE # 12 CU 2C W/GRD	20	19194432
F	19282004	LAMP MTL HALIDE MOGUL BASE 250W	1	19194432
G	12450411	CONN SPLIT BOLT 6 SOLID CU	1	19194432
H	19282072	CONTROLLER COMMUNICATION DECORATIVE	1	19194432

<b>1919-44</b>	<b>STREETLIGHTS</b>	 <b>AUSTIN ENERGY</b>
Sheet 23 of 25	<b>DECORATIVE MAINTENANCE STREETLIGHT</b>	
	<b>PECAN STREET</b>	
		Rev: 08/01/20

**CU-ID    CU-REF    CU-DESCRIPTION**

DECPSGRNMH250W208V                    19191532                    DEC PECAN STREET GRN MH 250W 208V

ID	PART NUM	PART DESC	QTY	EA	CU-REF
1	0000018964	STREET LIGHT DEC PECAN STREET GREEN MH 250W 208V ASSY	1	EA	19191532
2	0000008496	WASHER SLPA FLAT HOT DIP GALV FOR 1 INCH BOLT	4	EA	19191532

DECPSGRNFIX250WMH208V                    19191732                    DEC PECAN STREET GRN FIX 250W MH 208V

ID	PART NUM	PART DESC	QTY	EA	CU-REF
1	0000018997	STREET LIGHT DEC PECAN STREET GRN FIXTURE MH 250W 208V	1	EA	19191732

DECPSGRNARM                    19191758                    DEC PECAN STREET GREEN ARM

ID	PART NUM	PART DESC	QTY	EA	CU-REF
1	0000022765	ARM, PECAN STREET DECORATIVE POLE, GREEN	1	EA	19191758

**MU-ID    MU-REF    MU-DESCRIPTION**

PSGRN100WHPS240V                    19194433                    PECAN STREET GRN 100W HPS 240V

ID	CU-REF	CU-DESC	QTY	MU-REF
A	19191533	DEC PECAN STREET GRN HPS 100W 240V	1	19194433
B	19287003	CLAMP COMPRESSION CU #10 TO #12	6	19194433
C	19284520	MIDGET FUSE 5 AMP 600V AC	2	19194433
D	19284505	FUSE HOLDER BREAKAWAY 1IN AND 1OUT	2	19194433
E	12080402	WIRE # 12 CU 2C W/GRD	20	19194433
F	19282012	LAMP HPS MOGUL BASE 100W	1	19194433
G	12450411	CONN SPLIT BOLT 6 SOLID CU	1	19194433
H	19282072	CONTROLLER COMMUNICATION DECORATIVE	1	19194433

**CU-ID    CU-REF    CU-DESCRIPTION**

DECPSGRNHPS100W240V                    19191533                    DEC PECAN STREET GRN HPS 100W 240V

ID	PART NUM	PART DESC	QTY	EA	CU-REF
1	0000018956	STREET LIGHT DEC PECAN STREET GREEN HPS 100W 240V ASSY	1	EA	19191533
2	0000008496	WASHER SLPA FLAT HOT DIP GALV FOR 1 INCH BOLT	4	EA	19191533

DECPSGRNFIX100WHPS240V                    19191733                    DEC PECAN STREET GRN FIX 100W HPS 240V

ID	PART NUM	PART DESC	QTY	EA	CU-REF
1	0000018998	STREET LIGHT DEC PECAN STREET GRN FIXTURE HPS 100W 240V	1	EA	19191733

DECPSGRNARM                    19191758                    DEC PECAN STREET GREEN ARM

ID	PART NUM	PART DESC	QTY	EA	CU-REF
1	0000022765	ARM, PECAN STREET DECORATIVE POLE, GREEN	1	EA	19191758

 Rev: 08/01/20	<b>STREETLIGHTS</b> <b>DECORATIVE MAINTENANCE STREETLIGHT</b> <b>PECAN STREET</b>	<b>1919-44</b>
		Sheet 24 of 25

**MU-ID    MU-REF    MU-DESCRIPTION**

PSGRN250WHPS240V                          19194434                          PECAN STREET GRN 250W HPS 240V

ID	CU-REF	CU-DESC	QTY	MU-REF
A	19191534	DEC PECAN STREET GRN HPS 250W 240V	1	19194434
B	19287003	CLAMP COMPRESSION CU #10 TO #12	6	19194434
C	19284520	MIDGET FUSE 5 AMP 600V AC	2	19194434
D	19284505	FUSE HOLDER BREAKAWAY 1IN AND 1OUT	2	19194434
E	12080402	WIRE # 12 CU 2C W/GRD	20	19194434
F	19282014	LAMP HPS MOGUL BASE 250W	1	19194434
G	12450411	CONN SPLIT BOLT 6 SOLID CU	1	19194434
H	19282072	CONTROLLER COMMUNICATION DECORATIVE	1	19194434

**CU-ID    CU-REF    CU-DESCRIPTION**

DECPSGRNHPS250W240V                          19191534                          DEC PECAN STREET GRN HPS 250W 240V

ID	PART NUM	PART DESC	QTY	CU-REF
1	0000018959	STREET LIGHT DEC PECAN STREET GREEN HPS 250W 240V ASSY	1 EA	19191534
2	0000008496	WASHER SLPA FLAT HOT DIP GALV FOR 1 INCH BOLT	4 EA	19191534

DECPSGRNFIX250WHPS240V                          19191734                          DEC PECAN STREET GRN FIX 250W HPS 240V

ID	PART NUM	PART DESC	QTY	CU-REF
1	0000018999	STREET LIGHT DEC PECAN STREET GRN FIXTURE HPS 250W 240V	1 EA	19191734

DECPSGRNARM    19191758    DEC PECAN STREET GREEN ARM

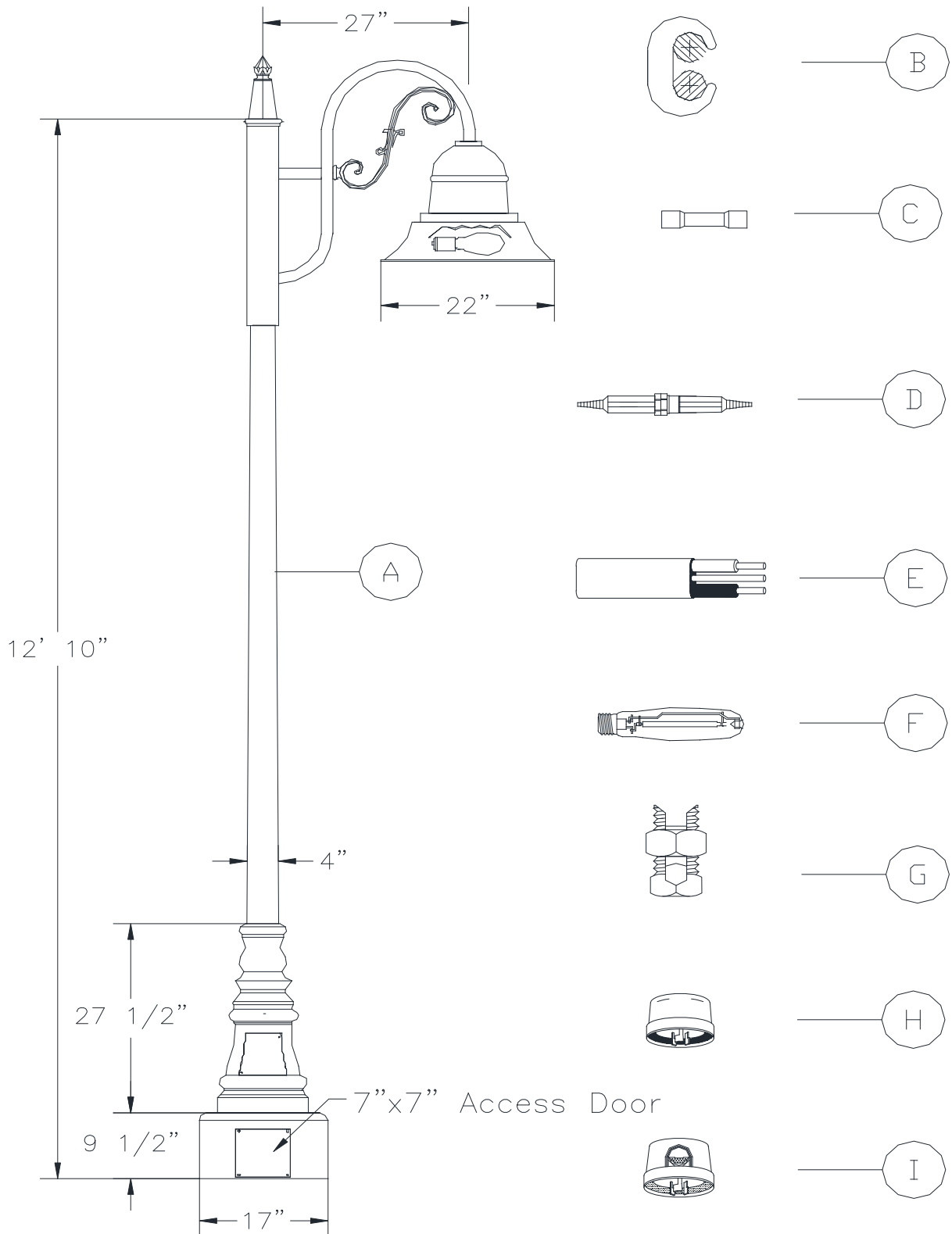
ID	PART NUM	PART DESC	QTY	CU-REF
1	0000022765	ARM, PECAN STREET DECORATIVE POLE, GREEN	1 EA	19191758


**MU-ID    MU-REF    MU-DESCRIPTION**

PSGRN100WMH240V                                  19194435                                  PECAN STREET GRN 100W MH 240V

ID	CU-REF	CU-DESC	QTY	MU-REF
A	19191535	DEC PECAN STREET GRN MH 100W 240V	1	19194435
B	19287003	CLAMP COMPRESSION CU #10 TO #12	6	19194435
C	19284520	MIDGET FUSE 5 AMP 600V AC	2	19194435
D	19284505	FUSE HOLDER BREAKAWAY 1IN AND 1OUT	2	19194435
E	12080402	WIRE # 12 CU 2C W/GRD	20	19194435
F	19282002	LAMP MTL HALIDE MOGUL BASE 100W	1	19194435
G	12450411	CONN SPLIT BOLT 6 SOLID CU	1	19194435
H	19282072	CONTROLLER COMMUNICATION DECORATIVE	1	19194435





1919-46	STREETLIGHTS DECORATIVE MAINTENANCE STREETLIGHT SUNSET VALLEY	
Sheet 2 of 37		
		Rev: 08/01/20

**MU**

**MU-ID    MU-REF    MU-DESCRIPTION**

SVBLK100WHPS120V    19194601    SUNSET VALLEY BLK 100W HPS 120V

ID	CU-REF	CU-DESC	QTY	MU-REF
A	19192001	DEC SUNSET VALLEY BLK HPS 100W 120V	1	19194601
B	19287003	CLAMP COMPRESSION CU #10 TO #12	3	19194601
C	19284520	MIDGET FUSE 5 AMP 600V AC	1	19194601
D	19284505	FUSE HOLDER BREAKAWAY 1IN AND 1OUT	1	19194601
E	12080402	WIRE # 12 CU 2C W/GRD	20	19194601
F	19282012	LAMP HPS MOGUL BASE 100W	1	19194601
G	12450411	CONN SPLIT BOLT 6 SOLID CU	1	19194601
H	19282072	CONTROLLER COMMUNICATION DECORATIVE	1	19194601

**CU-ID    CU-REF    CU-DESCRIPTION**

DECSVBLKHPS100W120V    19192001    DEC SUNSET VALLEY BLK HPS 100W 120V

ID	PART NUM	PART DESC	QTY	CU-REF
1	0000018405	STREET LIGHT DEC SUNSET VALLEY HPS 100W 120V BLK ASSY	1 EA	19192001
2	0000008496	WASHER SLPA FLAT HOT DIP GALV FOR 1 INCH BOLT	4 EA	19192001

DECSVBLKFIX100WLEDEQUIV    19192201    DEC SUNSET VALLEY BLK FIX 100W LED EQUIV


ID	PART NUM	PART DESC	QTY	CU-REF
1	0000023624	LUMINAIRE DECORATIVE LED PENDANT BLACK, SUNSET VALLEY	1 EA	19192201

DECSVBLKPOLE    19192250    DEC SUNSET VALLEY BLK POLE

ID	PART NUM	PART DESC	QTY	CU-REF
1	0000023630	POLE DECORATIVE FOR LED PENDANT BLACK, SUNSET VALLEY LE	1 EA	19192250
2	0000008496	WASHER SLPA FLAT HOT DIP GALV FOR 1 INCH BOLT	4 EA	19192250

DECSVBLKARM    19192256    DEC SUNSET VALLEY BLACK ARM

ID	PART NUM	PART DESC	QTY	CU-REF
1	0000022830	ARM, FOR SUNSET VALLEY DECORATIVE POLE, BLACK	1 EA	19192256

 Rev: 08/01/20	<b>STREETLIGHTS</b> <b>DECORATIVE MAINTENANCE STREETLIGHT</b> <b>SUNSET VALLEY</b>	<b>1919-46</b> Sheet 3 of 37

<b>MU-ID</b>	<b>MU-REF</b>	<b>MU-DESCRIPTION</b>
--------------	---------------	-----------------------

SVBLK250WHPS120V	19194602	SUNSET VALLEY BLK 250W HPS 120V
------------------	----------	---------------------------------

ID	CU-REF	CU-DESC	QTY	MU-REF
A	19192002	DEC SUNSET VALLEY BLK HPS 250W 120V	1	19194602
B	19287003	CLAMP COMPRESSION CU #10 TO #12	3	19194602
C	19284520	MIDGET FUSE 5 AMP 600V AC	1	19194602
D	19284505	FUSE HOLDER BREAKAWAY 1IN AND 1OUT	1	19194602
E	12080402	WIRE # 12 CU 2C W/GRD	20	19194602
F	19282014	LAMP HPS MOGUL BASE 250W	1	19194602
G	12450411	CONN SPLIT BOLT 6 SOLID CU	1	19194602

<b>CU-ID</b>	<b>CU-REF</b>	<b>CU-DESCRIPTION</b>
--------------	---------------	-----------------------

DECSVBLKHPS250W120V	19192002	DEC SUNSET VALLEY BLK HPS 250W 120V
---------------------	----------	-------------------------------------

ID	PART NUM	PART DESC	QTY	CU-REF
1	0000018406	ST LIGHT DEC SUNSET VALLEY 250W HPS 120V BLACK	1 EA	19192002
2	0000008496	WASHER SLPA FLAT HOT DIP GALV FOR 1 INCH BOLT	4 EA	19192002

DECSVBLKFIX250WHPS120V	19192202	DEC SUNSET VALLEY BLK FIX 250W HPS 120V
------------------------	----------	---

ID	PART NUM	PART DESC	QTY	CU-REF
1	0000018586	STREET LIGHT DEC SUNSET VALLEY BLK FIXTURE HPS 250W120V	1 EA	19192202

DECSVBLKPOLE	19192250	DEC SUNSET VALLEY BLK POLE
--------------	----------	----------------------------

ID	PART NUM	PART DESC	QTY	CU-REF
1	0000023630	POLE DECORATIVE FOR LED PENDANT BLACK, SUNSET VALLEY LE	1 EA	19192250
2	0000008496	WASHER SLPA FLAT HOT DIP GALV FOR 1 INCH BOLT	4 EA	19192250

DECSVBLKARM	19192256	DEC SUNSET VALLEY BLACK ARM
-------------	----------	-----------------------------

ID	PART NUM	PART DESC	QTY	CU-REF
1	0000022830	ARM, FOR SUNSET VALLEY DECORATIVE POLE, BLACK	1 EA	19192256

1919-46	STREETLIGHTS DECORATIVE MAINTENANCE STREETLIGHT SUNSET VALLEY	
Sheet 4 of 37		
		Rev: 08/01/20

**MU-ID                                      MU-REF                                      MU-DESCRIPTION**

SVBLK100WMH120V                      19194603                      SUNSET VALLEY BLK 100W MH 120V

ID	CU-REF	CU-DESC	QTY	MU-REF
A	19192003	DEC SUNSET VALLEY BLK MH 100W 120V	1	19194603
B	19287003	CLAMP COMPRESSION CU #10 TO #12	3	19194603
C	19284520	MIDGET FUSE 5 AMP 600V AC	1	19194603
D	19284505	FUSE HOLDER BREAKAWAY 1IN AND 1OUT	1	19194603
E	12080402	WIRE # 12 CU 2C W/GRD	20	19194603
F	19282002	LAMP MTL HALIDE MOGUL BASE 100W	1	19194603
G	12450411	CONN SPLIT BOLT 6 SOLID CU	1	19194603
H	19282072	CONTROLLER COMMUNICATION DECORATIVE	1	19194603

**CU-ID                                      CU-REF                                      CU-DESCRIPTION**

DECSVBLKMH100W120V                      19192003                      DEC SUNSET VALLEY BLK MH 100W 120V

ID	PART NUM	PART DESC	QTY	CU-REF
1	0000018407	ST LIGHT DEC SUNSET VALLEY 100W MH 120V BLACK	1 EA	19192003
2	0000008496	WASHER SLPA FLAT HOT DIP GALV FOR 1 INCH BOLT	4 EA	19192003

DECSVBLKFIX100WMH120V                      19192203                      DEC SUNSET VALLEY BLK FIX 100W MH 120V

ID	PART NUM	PART DESC	QTY	CU-REF
1	0000018583	STREET LIGHT DEC SUNSET VALLEY BLK FIXTURE 100W MH 120V	1 EA	19192203

DECSVBLKPOLE                      19192250                      DEC SUNSET VALLEY BLK POLE

ID	PART NUM	PART DESC	QTY	CU-REF
1	0000023630	POLE DECORATIVE FOR LED PENDANT BLACK, SUNSET VALLEY LE	1 EA	19192250
2	0000008496	WASHER SLPA FLAT HOT DIP GALV FOR 1 INCH BOLT	4 EA	19192250

DECSVBLKARM                      19192256                      DEC SUNSET VALLEY BLACK ARM

ID	PART NUM	PART DESC	QTY	CU-REF
1	0000022830	ARM, FOR SUNSET VALLEY DECORATIVE POLE, BLACK	1 EA	19192256























Rev: 08/01/20

**STREETLIGHTS**  
**DECORATIVE MAINTENANCE STREETLIGHT**  
**SUNSET VALLEY**

**1919-46**

Sheet 13 of 37

**MU-ID**

**MU-REF**

**MU-DESCRIPTION**

SVBLK250WMH240V

19194612

SUNSET VALLEY BLK 250W MH 240V

ID	CU-REF	CU-DESC	QTY	MU-REF
A	19192012	DEC SUNSET VALLEY BLK MH 250W 240V	1	19194612
B	19287003	CLAMP COMPRESSION CU #10 TO #12	6	19194612
C	19284520	MIDGET FUSE 5 AMP 600V AC	2	19194612
D	19284505	FUSE HOLDER BREAKAWAY 1IN AND 1OUT	2	19194612
E	12080402	WIRE # 12 CU 2C W/GRD	20	19194612
F	19282004	LAMP MTL HALIDE MOGUL BASE 250W	1	19194612
G	12450411	CONN SPLIT BOLT 6 SOLID CU	1	19194612

**CU-ID**

**CU-REF**

**CU-DESCRIPTION**

DECSVBLKMH250W240V

19192012

DEC SUNSET VALLEY BLK MH 250W 240V

ID	PART NUM	PART DESC	QTY	CU-REF
1	0000018547	STREET LIGHT DEC SUNSET VALLEY BLK MH 250W 240V ASSY	1 EA	19192012
2	0000008496	WASHER SLPA FLAT HOT DIP GALV FOR 1 INCH BOLT	4 EA	19192012

DECSVBLKFIX250WMH240V

19192212

DEC SUNSET VALLEY BLK FIX 250W MH 240V

ID	PART NUM	PART DESC	QTY	CU-REF
1	0000018591	STREET LIGHT DEC SUNSET VALLEY BLK FIXTURE MH 250W 240V	1 EA	19192212

DECSVBLKPOLE

19192250

DEC SUNSET VALLEY BLK POLE

ID	PART NUM	PART DESC	QTY	CU-REF
1	0000023630	POLE DECORATIVE FOR LED PENDANT BLACK, SUNSET VALLEY LE	1 EA	19192250
2	0000008496	WASHER SLPA FLAT HOT DIP GALV FOR 1 INCH BOLT	4 EA	19192250

DECSVBLKARM

19192256

DEC SUNSET VALLEY BLACK ARM

ID	PART NUM	PART DESC	QTY	CU-REF
1	0000022830	ARM, FOR SUNSET VALLEY DECORATIVE POLE, BLACK	1 EA	19192256

MU-ID	MU-REF	MU-DESCRIPTION
SVBRN100WHPS120V	19194613	SUNSET VALLEY BRN 100W HPS 120V

ID	CU-REF	CU-DESC	QTY	MU-REF
A	19192013	DEC SUNSET VALLEY BRN HPS 100W 120V	1	19194613
B	19287003	CLAMP COMPRESSION CU #10 TO #12	3	19194613
C	19284520	MIDGET FUSE 5 AMP 600V AC	1	19194613
D	19284505	FUSE HOLDER BREAKAWAY 1IN AND 1OUT	1	19194613
E	12080402	WIRE # 12 CU 2C W/GRD	20	19194613
F	19282012	LAMP HPS MOGUL BASE 100W	1	19194613
G	12450411	CONN SPLIT BOLT 6 SOLID CU	1	19194613
H	19282072	CONTROLLER COMMUNICATION DECORATIVE	1	19194613

CU-ID	CU-REF	CU-DESCRIPTION
DECSVBRNHPS100W120V	19192013	DEC SUNSET VALLEY BRN HPS 100W 120V

ID	PART NUM	PART DESC	QTY	CU-REF
1	0000018549	STREET LIGHT DEC SUNSET VALLEY BROWN HPS 100W 120V ASSY	1	EA 19192013
2	0000008496	WASHER SLPA FLAT HOT DIP GALV FOR 1 INCH BOLT	4	EA 19192013

ID	PART NUM	PART DESC	QTY	CU-REF
1	0000023625	LUMINAIRE DECORATIVE LED PENDANT BRONZE, SUNSET VALLEY	1	EA 19192213

ID	PART NUM	PART DESC	QTY	CU-REF
1	0000023631	POLE DECORATIVE FOR LED PENDANT BRONZE, SUNSET VALLEY L	1	EA 19192251
2	0000008496	WASHER SLPA FLAT HOT DIP GALV FOR 1 INCH BOLT	4	EA 19192251

ID	PART NUM	PART DESC	QTY	CU-REF
1	0000022828	ARM, SUNSET VALLEY DECORATIVE POLE, BROWN	1	EA 19192257

	<b>STREETLIGHTS</b> <b>DECORATIVE MAINTENANCE STREETLIGHT</b> <b>SUNSET VALLEY</b>	<b>1919- 46</b>
		Sheet 15 of 37
Rev: 08/01/20		

<b>MU-ID</b>	<b>MU-REF</b>	<b>MU-DESCRIPTION</b>
--------------	---------------	-----------------------

SVBRN250WHPS120V	19194614	SUNSET VALLEY BRN 250W HPS 120V
------------------	----------	---------------------------------

ID	CU-REF	CU-DESC	QTY	MU-REF
A	19192014	DEC SUNSET VALLEY BRN HPS 250W 120V	1	19194614
B	19287003	CLAMP COMPRESSION CU #10 TO #12	3	19194614
C	19284520	MIDGET FUSE 5 AMP 600V AC	1	19194614
D	19284505	FUSE HOLDER BREAKAWAY 1IN AND 1OUT	1	19194614
E	12080402	WIRE # 12 CU 2C W/GRD	20	19194614
F	19282014	LAMP HPS MOGUL BASE 250W	1	19194614
G	12450411	CONN SPLIT BOLT 6 SOLID CU	1	19194614
H	19282072	CONTROLLER COMMUNICATION DECORATIVE	1	19194614

<b>CU-ID</b>	<b>CU-REF</b>	<b>CU-DESCRIPTION</b>
--------------	---------------	-----------------------

DECSVBRNHPS250W120V	19192014	DEC SUNSET VALLEY BRN HPS 250W 120V
---------------------	----------	-------------------------------------

ID	PART NUM	PART DESC	QTY	CU-REF
1	0000018552	STREET LIGHT DEC SUNSET VALLEY BROWN HPS 250W 120V ASSY	1 EA	19192014
2	0000008496	WASHER SLPA FLAT HOT DIP GALV FOR 1 INCH BOLT	4 EA	19192014

DECSVBRNFIX250WHPS120V	19192214	DEC SUNSET VALLEY BRN FIX 250W HPS 120V
------------------------	----------	---


ID	PART NUM	PART DESC	QTY	CU-REF
1	0000018600	STREET LIGHT DEC SUNSET VALLEY BRN FIXTURE HPS 250W120V	1 EA	19192214

DECSVBRNPOLE	19192251	DEC SUNSET VALLEY BRN POLE
--------------	----------	----------------------------

ID	PART NUM	PART DESC	QTY	CU-REF
1	0000023631	POLE DECORATIVE FOR LED PENDANT BRONZE, SUNSET VALLEY L	1 EA	19192251
2	0000008496	WASHER SLPA FLAT HOT DIP GALV FOR 1 INCH BOLT	4 EA	19192251

DECSVBRNARM	19192257	DEC SUNSET VALLEY BRONZE ARM
-------------	----------	------------------------------

ID	PART NUM	PART DESC	QTY	CU-REF
1	0000022828	ARM, SUNSET VALLEY DECORATIVE POLE, BROWN	1 EA	19192257

<b>1919-46</b>	<b>STREETLIGHTS</b>	
Sheet 16 of 37	<b>DECORATIVE MAINTENANCE STREETLIGHT</b>	
	<b>SUNSET VALLEY</b>	
		Rev: 08/01/20

<b>MU-ID</b>	<b>MU-REF</b>	<b>MU-DESCRIPTION</b>
--------------	---------------	-----------------------

SVBRN100WMH120V	19194615	SUNSET VALLEY BRN 100W MH 120V
-----------------	----------	--------------------------------

ID	CU-REF	CU-DESC	QTY	MU-REF
A	19192015	DEC SUNSET VALLEY BRN MH 100W 120V	1	19194615
B	19287003	CLAMP COMPRESSION CU #10 TO #12	3	19194615
C	19284520	MIDGET FUSE 5 AMP 600V AC	1	19194615
D	19284505	FUSE HOLDER BREAKAWAY 1IN AND 1OUT	1	19194615
E	12080402	WIRE # 12 CU 2C W/GRD	20	19194615
F	19282002	LAMP MTL HALIDE MOGUL BASE 100W	1	19194615
G	12450411	CONN SPLIT BOLT 6 SOLID CU	1	19194615
H	19282072	CONTROLLER COMMUNICATION DECORATIVE	1	19194615

<b>CU-ID</b>	<b>CU-REF</b>	<b>CU-DESCRIPTION</b>
--------------	---------------	-----------------------

DECSVBRNMH100W120V	19192015	DEC SUNSET VALLEY BRN MH 100W 120V
--------------------	----------	------------------------------------

ID	PART NUM	PART DESC	QTY	CU-REF
1	0000018562	STREET LIGHT DEC SUNSET VALLEY BROWN MH 100W 120V ASSY	1 EA	19192015
2	0000008496	WASHER SLPA FLAT HOT DIP GALV FOR 1 INCH BOLT	4 EA	19192015

DECSVBRNFIX100WMH120V	19192215	DEC SUNSET VALLEY BRN FIX 100W MH 120V
-----------------------	----------	--

ID	PART NUM	PART DESC	QTY	CU-REF
1	0000018597	STREET LIGHT DEC SUNSET VALLEY BRN FIXTURE MH 100W 120V	1 EA	19192215

DECSVBRNPOLE	19192251	DEC SUNSET VALLEY BRN POLE
--------------	----------	----------------------------

ID	PART NUM	PART DESC	QTY	CU-REF
1	0000023631	POLE DECORATIVE FOR LED PENDANT BRONZE, SUNSET VALLEY L	1 EA	19192251
2	0000008496	WASHER SLPA FLAT HOT DIP GALV FOR 1 INCH BOLT	4 EA	19192251

DECSVBRNARM	19192257	DEC SUNSET VALLEY BRONZE ARM
-------------	----------	------------------------------

ID	PART NUM	PART DESC	QTY	CU-REF
1	0000022828	ARM, SUNSET VALLEY DECORATIVE POLE, BROWN	1 EA	19192257

	<b>STREETLIGHTS</b> <b>DECORATIVE MAINTENANCE STREETLIGHT</b> <b>SUNSET VALLEY</b>	<b>1919-46</b>
		Sheet 17 of 37
Rev: 08/01/20		

MU-ID	MU-REF	MU-DESCRIPTION
SVBRN250WMH120V	19194616	SUNSET VALLEY BRN 250W MH 120V

ID	CU-REF	CU-DESC	QTY	MU-REF
A	19192016	DEC SUNSET VALLEY BRN MH 250W 120V	1	19194616
B	19287003	CLAMP COMPRESSION CU #10 TO #12	3	19194616
C	19284520	MIDGET FUSE 5 AMP 600V AC	1	19194616
D	19284505	FUSE HOLDER BREAKAWAY 1IN AND 1OUT	1	19194616
E	12080402	WIRE # 12 CU 2C W/GRD	20	19194616
F	19282004	LAMP MTL HALIDE MOGUL BASE 250W	1	19194616
G	12450411	CONN SPLIT BOLT 6 SOLID CU	1	19194616
H	19282072	CONTROLLER COMMUNICATION DECORATIVE	1	19194616

CU-ID	CU-REF	CU-DESCRIPTION
DECSVBRNMH250W120V	19192016	DEC SUNSET VALLEY BRN MH 250W 120V

ID	PART NUM	PART DESC	QTY	CU-REF
1	0000018565	STREET LIGHT DEC SUNSET VALLEY BRN MH 250W 120V ASSY	1 EA	19192016
2	0000008496	WASHER SLPA FLAT HOT DIP GALV FOR 1 INCH BOLT	4 EA	19192016

CU-ID	CU-REF	CU-DESCRIPTION
DECSVBRNFIX250WMH120V	19192216	DEC SUNSET VALLEY BRN FIX 250W MH 120V

ID	PART NUM	PART DESC	QTY	CU-REF
1	0000018603	STREET LIGHT DEC SUNSET VALLEY BRN FIXTURE MH 250W 120V	1 EA	19192216

CU-ID	CU-REF	CU-DESCRIPTION
DECSVBRNPOLE	19192251	DEC SUNSET VALLEY BRN POLE

ID	PART NUM	PART DESC	QTY	CU-REF
1	0000023631	POLE DECORATIVE FOR LED PENDANT BRONZE, SUNSET VALLEY L	1 EA	19192251
2	0000008496	WASHER SLPA FLAT HOT DIP GALV FOR 1 INCH BOLT	4 EA	19192251

CU-ID	CU-REF	CU-DESCRIPTION
DECSVBRNARM	19192257	DEC SUNSET VALLEY BRONZE ARM

ID	PART NUM	PART DESC	QTY	CU-REF
1	0000022828	ARM, SUNSET VALLEY DECORATIVE POLE, BROWN	1 EA	19192257

<b>1919-46</b>	<b>STREETLIGHTS DECORATIVE MAINTENANCE STREETLIGHT SUNSET VALLEY</b>	
Sheet 18 of 37		
		Rev: 08/01/20

MU-ID	MU-REF	MU-DESCRIPTION
SVBRN100WHPS208V	19194617	SUNSET VALLEY BRN 100W HPS 208V

ID	CU-REF	CU-DESC	QTY	MU-REF
A	19192017	DEC SUNSET VALLEY BRN HPS 100W 208V	1	19194617
B	19287003	CLAMP COMPRESSION CU #10 TO #12	6	19194617
C	19284520	MIDGET FUSE 5 AMP 600V AC	2	19194617
D	19284505	FUSE HOLDER BREAKAWAY 1IN AND 1OUT	2	19194617
E	12080402	WIRE # 12 CU 2C W/GRD	20	19194617
F	19282012	LAMP HPS MOGUL BASE 100W	1	19194617
G	12450411	CONN SPLIT BOLT 6 SOLID CU	1	19194617
H	19282072	CONTROLLER COMMUNICATION DECORATIVE	1	19194617

CU-ID	CU-REF	CU-DESCRIPTION
DECSVBRNHPS100W208V	19192017	DEC SUNSET VALLEY BRN HPS 100W 208V

ID	PART NUM	PART DESC	QTY	CU-REF
1	0000018550	STREET LIGHT DEC SUNSET VALLEY BROWN HPS 100W 208V ASSY	1 EA	19192017
2	0000008496	WASHER SLPA FLAT HOT DIP GALV FOR 1 INCH BOLT	4 EA	19192017

CU-ID	CU-REF	CU-DESCRIPTION
DECSVBRNFIX100WHPS208V	19192217	DEC SUNSET VALLEY BRN FIX 100W HPS 208V

ID	PART NUM	PART DESC	QTY	CU-REF
1	0000018595	STREET LIGHT DEC SUNSET VALLEY BRN FIXTURE HPS 100W208V	1 EA	19192217

CU-ID	CU-REF	CU-DESCRIPTION
DECSVBRNPOLE	19192251	DEC SUNSET VALLEY BRN POLE

ID	PART NUM	PART DESC	QTY	CU-REF
1	0000023631	POLE DECORATIVE FOR LED PENDANT BRONZE, SUNSET VALLEY L	1 EA	19192251
2	0000008496	WASHER SLPA FLAT HOT DIP GALV FOR 1 INCH BOLT	4 EA	19192251

CU-ID	CU-REF	CU-DESCRIPTION
DECSVBRNARM	19192257	DEC SUNSET VALLEY BRONZE ARM

ID	PART NUM	PART DESC	QTY	CU-REF
1	0000022828	ARM, SUNSET VALLEY DECORATIVE POLE, BROWN	1 EA	19192257

	<b>STREETLIGHTS</b> <b>DECORATIVE MAINTENANCE STREETLIGHT</b> <b>SUNSET VALLEY</b>	<b>1919-46</b> Sheet 19 of 37
	Rev: 08/01/20	

**MU-ID MU-REF MU-DESCRIPTION**

SVBRN250WHPS208V 19194618 SUNSET VALLEY BRN 250W HPS 208V

ID	CU-REF	CU-DESC	QTY	MU-REF
A	19192018	DEC SUNSET VALLEY BRN HPS 250W 208V	1	19194618
B	19287003	CLAMP COMPRESSION CU #10 TO #12	6	19194618
C	19284520	MIDGET FUSE 5 AMP 600V AC	2	19194618
D	19284505	FUSE HOLDER BREAKAWAY 1IN AND 1OUT	2	19194618
E	12080402	WIRE # 12 CU 2C W/GRD	20	19194618
F	19282014	LAMP HPS MOGUL BASE 250W	1	19194618
G	12450411	CONN SPLIT BOLT 6 SOLID CU	1	19194618
H	19282072	CONTROLLER COMMUNICATION DECORATIVE	1	19194618

**CU-ID CU-REF CU-DESCRIPTION**

DECSVBRNHPS250W208V 19192018 DEC SUNSET VALLEY BRN HPS 250W 208V

ID	PART NUM	PART DESC	QTY	CU-REF
1	0000018553	STREET LIGHT DEC SUNSET VALLEY BROWN HPS 250W 208V ASSY	1 EA	19192018
2	0000008496	WASHER SLPA FLAT HOT DIP GALV FOR 1 INCH BOLT	4 EA	19192018

DECSVBRNFIX250WHPS208V 19192218 DEC SUNSET VALLEY BRN FIX 250W HPS 208V


ID	PART NUM	PART DESC	QTY	CU-REF
1	0000018601	STREET LIGHT DEC SUNSET VALLEY BRN FIXTURE HPS 250W208V	1 EA	19192218

DECSVBRNPOLE 19192251 DEC SUNSET VALLEY BRN POLE

ID	PART NUM	PART DESC	QTY	CU-REF
1	0000023631	POLE DECORATIVE FOR LED PENDANT BRONZE, SUNSET VALLEY L	1 EA	19192251
2	0000008496	WASHER SLPA FLAT HOT DIP GALV FOR 1 INCH BOLT	4 EA	19192251

DECSVBRNARM 19192257 DEC SUNSET VALLEY BRONZE ARM

ID	PART NUM	PART DESC	QTY	CU-REF
1	0000022828	ARM, SUNSET VALLEY DECORATIVE POLE, BROWN	1 EA	19192257

<b>1919-46</b>	<b>STREETLIGHTS</b>	
Sheet 20 of 37	<b>DECORATIVE MAINTENANCE STREETLIGHT</b>	
	<b>SUNSET VALLEY</b>	
		Rev: 08/01/20

**MU-ID MU-REF MU-DESCRIPTION**

SVBRN100WMH208V 19194619 SUNSET VALLEY BRN 100W MH 208V

ID	CU-REF	CU-DESC	QTY	MU-REF
A	19192019	DEC SUNSET VALLEY BRN MH 100W 208V	1	19194619
B	19287003	CLAMP COMPRESSION CU #10 TO #12	6	19194619
C	19284520	MIDGET FUSE 5 AMP 600V AC	2	19194619
D	19284505	FUSE HOLDER BREAKAWAY 1IN AND 1OUT	2	19194619
E	12080402	WIRE # 12 CU 2C W/GRD	20	19194619
F	19282002	LAMP MTL HALIDE MOGUL BASE 100W	1	19194619
G	12450411	CONN SPLIT BOLT 6 SOLID CU	1	19194619
H	19282072	CONTROLLER COMMUNICATION DECORATIVE	1	19194619

**CU-ID CU-REF CU-DESCRIPTION**

DECSVBRNMH100W208V 19192019 DEC SUNSET VALLEY BRN MH 100W 208V

ID	PART NUM	PART DESC	QTY	CU-REF
1	0000018563	STREET LIGHT DEC SUNSET VALLEY BROWN MH 100W 208V ASSY	1 EA	19192019
2	0000008496	WASHER SLPA FLAT HOT DIP GALV FOR 1 INCH BOLT	4 EA	19192019

DECSVBRNFIX100WMH208V 19192219 DEC SUNSET VALLEY BRN FIX 100W MH 208V

ID	PART NUM	PART DESC	QTY	CU-REF
1	0000018598	STREET LIGHT DEC SUNSET VALLEY BRN FIXTURE MH 100W 208V	1 EA	19192219

DECSVBRNPOLE 19192251 DEC SUNSET VALLEY BRN POLE

ID	PART NUM	PART DESC	QTY	CU-REF
1	0000023631	POLE DECORATIVE FOR LED PENDANT BRONZE, SUNSET VALLEY L	1 EA	19192251
2	0000008496	WASHER SLPA FLAT HOT DIP GALV FOR 1 INCH BOLT	4 EA	19192251

DECSVBRNARM 19192257 DEC SUNSET VALLEY BRONZE ARM

ID	PART NUM	PART DESC	QTY	CU-REF
1	0000022828	ARM, SUNSET VALLEY DECORATIVE POLE, BROWN	1 EA	19192257







 Rev: 08/01/20	<b>STREETLIGHTS</b> DECORATIVE MAINTENANCE STREETLIGHT <b>SUNSET VALLEY</b>	<b>1919-46</b> Sheet 23 of 37

<b>MU-ID</b>	<b>MU-REF</b>	<b>MU-DESCRIPTION</b>
--------------	---------------	-----------------------

SVBRN250WHPS240V	19194622	SUNSET VALLEY BRN 250W HPS 240V
------------------	----------	---------------------------------

ID	CU-REF	CU-DESC	QTY	MU-REF
A	19192022	DEC SUNSET VALLEY BRN HPS 250W 240V	1	19194622
B	19287003	CLAMP COMPRESSION CU #10 TO #12	6	19194622
C	19284520	MIDGET FUSE 5 AMP 600V AC	2	19194622
D	19284505	FUSE HOLDER BREAKAWAY 1IN AND 1OUT	2	19194622
E	12080402	WIRE # 12 CU 2C W/GRD	20	19194622
F	19282014	LAMP HPS MOGUL BASE 250W	1	19194622
G	12450411	CONN SPLIT BOLT 6 SOLID CU	1	19194622
H	19282072	CONTROLLER COMMUNICATION DECORATIVE	1	19194622

<b>CU-ID</b>	<b>CU-REF</b>	<b>CU-DESCRIPTION</b>
--------------	---------------	-----------------------

DECSVBRNHPS250W240V	19192022	DEC SUNSET VALLEY BRN HPS 250W 240V
---------------------	----------	-------------------------------------

ID	PART NUM	PART DESC	QTY	CU-REF
1	0000018554	STREET LIGHT DEC SUNSET VALLEY BROWN HPS 250W 240V ASSY	1 EA	19192022
2	0000008496	WASHER SLPA FLAT HOT DIP GALV FOR 1 INCH BOLT	4 EA	19192022

DECSVBRNFIX250WHPS240V	19192222	DEC SUNSET VALLEY BRN FIX 250W HPS 240V
------------------------	----------	---

ID	PART NUM	PART DESC	QTY	CU-REF
1	0000018602	STREET LIGHT DEC SUNSET VALLEY BRN FIXTURE HPS 250W240V	1 EA	19192222

DECSVBRNPOLE	19192251	DEC SUNSET VALLEY BRN POLE
--------------	----------	----------------------------

ID	PART NUM	PART DESC	QTY	CU-REF
1	0000023631	POLE DECORATIVE FOR LED PENDANT BRONZE, SUNSET VALLEY L	1 EA	19192251
2	0000008496	WASHER SLPA FLAT HOT DIP GALV FOR 1 INCH BOLT	4 EA	19192251

DECSVBRNARM	19192257	DEC SUNSET VALLEY BRONZE ARM
-------------	----------	------------------------------

ID	PART NUM	PART DESC	QTY	CU-REF
1	0000022828	ARM, SUNSET VALLEY DECORATIVE POLE, BROWN	1 EA	19192257














	<b>STREETLIGHTS</b> <b>DECORATIVE MAINTENANCE STREETLIGHT</b> <b>SUNSET VALLEY</b>	<b>1919-46</b>
		Sheet 29 of 37
Rev: 08/01/20		

<b>MU-ID</b>	<b>MU-REF</b>	<b>MU-DESCRIPTION</b>		
SVGRN250WMH120V	19194628	SUNSET VALLEY GRN 250W MH 120V		
<b>ID</b>	<b>CU-REF</b>	<b>CU-DESC</b>	<b>QTY</b>	<b>MU-REF</b>
A	19192028	DEC SUNSET VALLEY GRN MH 250W 120V	1	19194628
B	19287003	CLAMP COMPRESSION CU #10 TO #12	3	19194628
C	19284520	MIDGET FUSE 5 AMP 600V AC	1	19194628
D	19284505	FUSE HOLDER BREAKAWAY 1IN AND 1OUT	1	19194628
E	12080402	WIRE # 12 CU 2C W/GRD	20	19194628
F	19282004	LAMP MTL HALIDE MOGUL BASE 250W	1	19194628
G	12450411	CONN SPLIT BOLT 6 SOLID CU	1	19194628
H	19282072	CONTROLLER COMMUNICATION DECORATIVE	1	19194628

<b>CU-ID</b>	<b>CU-REF</b>	<b>CU-DESCRIPTION</b>		
DECSVGRNMH250W120V	19192028	DEC SUNSET VALLEY GRN MH 250W 120V		
<b>ID</b>	<b>PART NUM</b>	<b>PART DESC</b>	<b>QTY</b>	<b>CU-REF</b>
1	0000018577	STREET LIGHT DEC SUNSET VALLEY GREEN MH 250W 120V ASSY	1 EA	19192028
2	0000008496	WASHER SLPA FLAT HOT DIP GALV FOR 1 INCH BOLT	4 EA	19192028
DECSVGRNFIX250WMH120V	19192228	DEC SUNSET VALLEY GRN FIX 250W MH 120V		
<b>ID</b>	<b>PART NUM</b>	<b>PART DESC</b>	<b>QTY</b>	<b>CU-REF</b>
1	0000018616	STREET LIGHT DEC SUNSET VALLEY GRN FIXTURE MH 250W120V	1 EA	19192228
DECSVGRNPOLE	19192252	DEC SUNSET VALLEY GRN POLE		
<b>ID</b>	<b>PART NUM</b>	<b>PART DESC</b>	<b>QTY</b>	<b>CU-REF</b>
1	0000023632	POLE DECORATIVE LED FOR GREEN, SUNSET VALLEY	1 EA	19192252
2	0000008496	WASHER SLPA FLAT HOT DIP GALV FOR 1 INCH BOLT	4 EA	19192252
DECSVGRNARM	19192258	DEC SUNSET VALLEY GREEN ARM		
<b>ID</b>	<b>PART NUM</b>	<b>PART DESC</b>	<b>QTY</b>	<b>CU-REF</b>
1	0000022831	ARM DECORATIVE LED FOR GREEN, SUNSET VALLEY	1 EA	19192258

<b>1919-46</b>	<b>STREETLIGHTS</b>	
Sheet 30 of 37	<b>DECORATIVE MAINTENANCE STREETLIGHT</b>	
	<b>SUNSET VALLEY</b>	
		Rev: 08/01/20

**MU-ID    MU-REF    MU-DESCRIPTION**

SVGRN100WHPS208V                                  19194629                                  SUNSET VALLEY GRN 100W HPS 208V

ID	CU-REF	CU-DESC	QTY	MU-REF
A	19192029	DEC SUNSET VALLEY GRN HPS 100W 208V	1	19194629
B	19287003	CLAMP COMPRESSION CU #10 TO #12	6	19194629
C	19284520	MIDGET FUSE 5 AMP 600V AC	2	19194629
D	19284505	FUSE HOLDER BREAKAWAY 1IN AND 1OUT	2	19194629
E	12080402	WIRE # 12 CU 2C W/GRD	20	19194629
F	19282012	LAMP HPS MOGUL BASE 100W	1	19194629
G	12450411	CONN SPLIT BOLT 6 SOLID CU	1	19194629
H	19282072	CONTROLLER COMMUNICATION DECORATIVE	1	19194629

**CU-ID    CU-REF    CU-DESCRIPTION**

DECSVGRNHPS100W208V                          19192029                                  DEC SUNSET VALLEY GRN HPS 100W 208V

ID	PART NUM	PART DESC	QTY	CU-REF
1	0000018569	STREET LIGHT DEC SUNSET VALLEY GREEN HPS 100W 208V ASSY	1    EA	19192029
2	0000008496	WASHER SLPA FLAT HOT DIP GALV FOR 1 INCH BOLT	4    EA	19192029

DECSVGRNFIX100WHPS208V                      19192229                                  DEC SUNSET VALLEY GRN FIX 100W HPS 208V


ID	PART NUM	PART DESC	QTY	CU-REF
1	0000018608	STREET LIGHT DEC SUNSET VALLEY GRN FIXTURE HPS 100W208V	1    EA	19192229

DECSVGRNPOLE    19192252                                  DEC SUNSET VALLEY GRN POLE

ID	PART NUM	PART DESC	QTY	CU-REF
1	0000023632	POLE DECORATIVE LED FOR GREEN, SUNSET VALLEY	1    EA	19192252
2	0000008496	WASHER SLPA FLAT HOT DIP GALV FOR 1 INCH BOLT	4    EA	19192252

DECSVGRNARM    19192258                                  DEC SUNSET VALLEY GREEN ARM

ID	PART NUM	PART DESC	QTY	CU-REF
1	0000022831	ARM DECORATIVE LED FOR GREEN, SUNSET VALLEY	1    EA	19192258

 Rev: 08/01/20	<b>STREETLIGHTS</b> <b>DECORATIVE MAINTENANCE STREETLIGHT</b> <b>SUNSET VALLEY</b>	<b>1919-46</b> Sheet 31 of 37

MU-ID	MU-REF	MU-DESCRIPTION
SVGRN250WHPS208V	19194630	SUNSET VALLEY GRN 250W HPS 208V

ID	CU-REF	CU-DESC	QTY	MU-REF
A	19192030	DEC SUNSET VALLEY GRN HPS 250W 208V	1	19194630
B	19287003	CLAMP COMPRESSION CU #10 TO #12	6	19194630
C	19284520	MIDGET FUSE 5 AMP 600V AC	2	19194630
D	19284505	FUSE HOLDER BREAKAWAY 1IN AND 1OUT	2	19194630
E	12080402	WIRE # 12 CU 2C W/GRD	20	19194630
F	19282014	LAMP HPS MOGUL BASE 250W	1	19194630
G	12450411	CONN SPLIT BOLT 6 SOLID CU	1	19194630
H	19282072	CONTROLLER COMMUNICATION DECORATIVE	1	19194630

CU-ID	CU-REF	CU-DESCRIPTION
DECSVGRNHPS250W208V	19192030	DEC SUNSET VALLEY GRN HPS 250W 208V

ID	PART NUM	PART DESC	QTY	CU-REF
1	0000018572	STREET LIGHT DEC SUNSET VALLEY GREEN HPS 250W 208V ASSY	1 EA	19192030
2	0000008496	WASHER SLPA FLAT HOT DIP GALV FOR 1 INCH BOLT	4 EA	19192030

CU-ID	CU-REF	CU-DESCRIPTION
DECSVGRNFIX250WHPS208V	19192230	DEC SUNSET VALLEY GRN FIX 250W HPS 208V

ID	PART NUM	PART DESC	QTY	CU-REF
1	0000018614	STREET LIGHT DEC SUNSET VALLEY GRN FIXTURE HPS 250W208V	1 EA	19192230

CU-ID	CU-REF	CU-DESCRIPTION
DECSVGRNPOLE	19192252	DEC SUNSET VALLEY GRN POLE


ID	PART NUM	PART DESC	QTY	CU-REF
1	0000023632	POLE DECORATIVE LED FOR GREEN, SUNSET VALLEY	1 EA	19192252
2	0000008496	WASHER SLPA FLAT HOT DIP GALV FOR 1 INCH BOLT	4 EA	19192252

CU-ID	CU-REF	CU-DESCRIPTION
DECSVGRNARM	19192258	DEC SUNSET VALLEY GREEN ARM

ID	PART NUM	PART DESC	QTY	CU-REF
1	0000022831	ARM DECORATIVE LED FOR GREEN, SUNSET VALLEY	1 EA	19192258

<b>1919-46</b>	<b>STREETLIGHTS</b> <b>DECORATIVE MAINTENANCE STREETLIGHT</b> <b>SUNSET VALLEY</b>	
Sheet 32 of 37		
		Rev: 08/01/20

MU-ID	MU-REF	MU-DESCRIPTION
-------	--------	----------------

SVGRN100WMH208V	19194631	SUNSET VALLEY GRN 100W MH 208V
-----------------	----------	--------------------------------

ID	CU-REF	CU-DESC	QTY	MU-REF
A	19192031	DEC SUNSET VALLEY GRN MH 100W 208V	1	19194631
B	19287003	CLAMP COMPRESSION CU #10 TO #12	6	19194631
C	19284520	MIDGET FUSE 5 AMP 600V AC	2	19194631
D	19284505	FUSE HOLDER BREAKAWAY 1IN AND 1OUT	2	19194631
E	12080402	WIRE # 12 CU 2C W/GRD	20	19194631
F	19282002	LAMP MTL HALIDE MOGUL BASE 100W	1	19194631
G	12450411	CONN SPLIT BOLT 6 SOLID CU	1	19194631
H	19282072	CONTROLLER COMMUNICATION DECORATIVE	1	19194631

CU-ID	CU-REF	CU-DESCRIPTION
-------	--------	----------------

DECSVGRNMH100W208V	19192031	DEC SUNSET VALLEY GRN MH 100W 208V
--------------------	----------	------------------------------------

ID	PART NUM	PART DESC	QTY	CU-REF
1	0000018575	STREET LIGHT DEC SUNSET VALLEY GREEN MH 100W 208V ASSY	1 EA	19192031
2	0000008496	WASHER SLPA FLAT HOT DIP GALV FOR 1 INCH BOLT	4 EA	19192031

DECSVGRNFIX100WMH208V	19192231	DEC SUNSET VALLEY GRN FIX 100W MH 208V
-----------------------	----------	--


ID	PART NUM	PART DESC	QTY	CU-REF
1	0000018611	STREET LIGHT DEC SUNSET VALLEY GRN FIXTURE MH 100W 208V	1 EA	19192231

DECSVGRNPOLE	19192252	DEC SUNSET VALLEY GRN POLE
--------------	----------	----------------------------

ID	PART NUM	PART DESC	QTY	CU-REF
1	0000023632	POLE DECORATIVE LED FOR GREEN, SUNSET VALLEY	1 EA	19192252
2	0000008496	WASHER SLPA FLAT HOT DIP GALV FOR 1 INCH BOLT	4 EA	19192252

DECSVGRNARM	19192258	DEC SUNSET VALLEY GREEN ARM
-------------	----------	-----------------------------

ID	PART NUM	PART DESC	QTY	CU-REF
1	0000022831	ARM DECORATIVE LED FOR GREEN, SUNSET VALLEY	1 EA	19192258

 Rev: 08/01/20	<b>STREETLIGHTS</b> DECORATIVE MAINTENANCE STREETLIGHT <b>SUNSET VALLEY</b>	<b>1919-46</b> Sheet 33 of 37

<b>MU-ID</b>	<b>MU-REF</b>	<b>MU-DESCRIPTION</b>
--------------	---------------	-----------------------

SVGRN250WMH208V	19194632	SUNSET VALLEY GRN 250W MH 208V
-----------------	----------	--------------------------------

ID	CU-REF	CU-DESC	QTY	MU-REF
A	19192032	DEC SUNSET VALLEY GRN MH 250W 208V	1	19194632
B	19287003	CLAMP COMPRESSION CU #10 TO #12	6	19194632
C	19284520	MIDGET FUSE 5 AMP 600V AC	2	19194632
D	19284505	FUSE HOLDER BREAKAWAY 1IN AND 1OUT	2	19194632
E	12080402	WIRE # 12 CU 2C W/GRD	20	19194632
F	19282004	LAMP MTL HALIDE MOGUL BASE 250W	1	19194632
G	12450411	CONN SPLIT BOLT 6 SOLID CU	1	19194632
H	19282072	CONTROLLER COMMUNICATION DECORATIVE	1	19194632

<b>CU-ID</b>	<b>CU-REF</b>	<b>CU-DESCRIPTION</b>
--------------	---------------	-----------------------

DECSVGRNMH250W208V	19192032	DEC SUNSET VALLEY GRN MH 250W 208V
--------------------	----------	------------------------------------

ID	PART NUM	PART DESC	QTY	CU-REF
1	0000018578	STREET LIGHT DEC SUNSET VALLEY GREEN MH 250W 208V ASSY	1 EA	19192032
2	0000008496	WASHER SLPA FLAT HOT DIP GALV FOR 1 INCH BOLT	4 EA	19192032

DECSVGRNFIX250WMH208V	19192232	DEC SUNSET VALLEY GRN FIX 250W MH 208V
-----------------------	----------	--

ID	PART NUM	PART DESC	QTY	CU-REF
1	0000018617	STREET LIGHT DEC SUNSET VALLEY GRN FIXTURE MH 250W 208V	1 EA	19192232

DECSVGRNPOLE	19192252	DEC SUNSET VALLEY GRN POLE
--------------	----------	----------------------------

ID	PART NUM	PART DESC	QTY	CU-REF
1	0000023632	POLE DECORATIVE LED FOR GREEN, SUNSET VALLEY	1 EA	19192252
2	0000008496	WASHER SLPA FLAT HOT DIP GALV FOR 1 INCH BOLT	4 EA	19192252

DECSVGRNARM	19192258	DEC SUNSET VALLEY GREEN ARM
-------------	----------	-----------------------------

ID	PART NUM	PART DESC	QTY	CU-REF
1	0000022831	ARM DECORATIVE LED FOR GREEN, SUNSET VALLEY	1 EA	19192258

<b>1919-46</b>	<b>STREETLIGHTS</b>	
Sheet 34 of 37	<b>DECORATIVE MAINTENANCE STREETLIGHT</b>	
	<b>SUNSET VALLEY</b>	Rev: 08/01/20

**MU-ID                                      MU-REF                                      MU-DESCRIPTION**

SVGRN100WHPS240V                      19194633                      SUNSET VALLEY GRN 100W HPS 240V

ID	CU-REF	CU-DESC	QTY	MU-REF
A	19192033	DEC SUNSET VALLEY GRN HPS 100W 240V	1	19194633
B	19287003	CLAMP COMPRESSION CU #10 TO #12	6	19194633
C	19284520	MIDGET FUSE 5 AMP 600V AC	2	19194633
D	19284505	FUSE HOLDER BREAKAWAY 1IN AND 1OUT	2	19194633
E	12080402	WIRE # 12 CU 2C W/GRD	20	19194633
F	19282012	LAMP HPS MOGUL BASE 100W	1	19194633
G	12450411	CONN SPLIT BOLT 6 SOLID CU	1	19194633
H	19282072	CONTROLLER COMMUNICATION DECORATIVE	1	19194633

**CU-ID                                      CU-REF                                      CU-DESCRIPTION**

DECSVGRNHPS100W240V                      19192033                      DEC SUNSET VALLEY GRN HPS 100W 240V

ID	PART NUM	PART DESC	QTY	CU-REF
1	0000018570	STREET LIGHT DEC SUNSET VALLEY GREEN HPS 100W 240V ASSY	1 EA	19192033
2	0000008496	WASHER SLPA FLAT HOT DIP GALV FOR 1 INCH BOLT	4 EA	19192033

DECSVGRNFIX100WHPS240V                      19192233                      DEC SUNSET VALLEY GRN FIX 100W HPS 240V


ID	PART NUM	PART DESC	QTY	CU-REF
1	0000018609	STREET LIGHT DEC SUNSET VALLEY GRN FIXTURE HPS 100W 240	1 EA	19192233

DECSVGRNPOLE                                      19192252                                      DEC SUNSET VALLEY GRN POLE

ID	PART NUM	PART DESC	QTY	CU-REF
1	0000023632	POLE DECORATIVE LED FOR GREEN, SUNSET VALLEY	1 EA	19192252
2	0000008496	WASHER SLPA FLAT HOT DIP GALV FOR 1 INCH BOLT	4 EA	19192252

DECSVGRNARM                                      19192258                                      DEC SUNSET VALLEY GREEN ARM

ID	PART NUM	PART DESC	QTY	CU-REF
1	0000022831	ARM DECORATIVE LED FOR GREEN, SUNSET VALLEY	1 EA	19192258

 Rev: 08/01/20	<b>STREETLIGHTS</b>	<b>1919- 46</b>
	<b>DECORATIVE MAINTENANCE STREETLIGHT</b>	Sheet 35 of 37
	<b>SUNSET VALLEY</b>	

**MU- ID MU- REF MU- DESCRIPTION**

SVGRN250WHPS240V 19194634 SUNSET VALLEY GRN 250W HPS 240V

ID	CU- REF	CU- DESC	QTY	MU- REF
A	19192034	DEC SUNSET VALLEY GRN HPS 250W 240V	1	19194634
B	19287003	CLAMP COMPRESSION CU #10 TO #12	6	19194634
C	19284520	MIDGET FUSE 5 AMP 600V AC	2	19194634
D	19284505	FUSE HOLDER BREAKAWAY 1IN AND 1OUT	2	19194634
E	12080402	WIRE # 12 CU 2C W/GRD	20	19194634
F	19282014	LAMP HPS MOGUL BASE 250W	1	19194634
G	12450411	CONN SPLIT BOLT 6 SOLID CU	1	19194634
H	19282072	CONTROLLER COMMUNICATION DECORATIVE	1	19194634

**CU- ID CU- REF CU- DESCRIPTION**

DECSVGRNHPS250W240V 19192034 DEC SUNSET VALLEY GRN HPS 250W 240V

ID	PART NUM	PART DESC	QTY	CU- REF
1	0000018573	STREET LIGHT DEC SUNSET VALLEY GREEN HPS 250W 240V ASSY	1 EA	19192034
2	0000008496	WASHER SLPA FLAT HOT DIP GALV FOR 1 INCH BOLT	4 EA	19192034

DECSVGRNFIX250WHPS240V 19192234 DEC SUNSET VALLEY GRN FIX 250W HPS 240V


ID	PART NUM	PART DESC	QTY	CU- REF
1	0000018615	STREET LIGHT DEC SUNSET VALLEY GRN FIXTURE HPS 250W240V	1 EA	19192234

DECSVGRNPOLE 19192252 DEC SUNSET VALLEY GRN POLE

ID	PART NUM	PART DESC	QTY	CU- REF
1	0000023632	POLE DECORATIVE LED FOR GREEN, SUNSET VALLEY	1 EA	19192252
2	0000008496	WASHER SLPA FLAT HOT DIP GALV FOR 1 INCH BOLT	4 EA	19192252

DECSVGRNARM 19192258 DEC SUNSET VALLEY GREEN ARM

ID	PART NUM	PART DESC	QTY	CU- REF
1	0000022831	ARM DECORATIVE LED FOR GREEN, SUNSET VALLEY	1 EA	19192258

<b>1919-46</b>	<b>STREETLIGHTS</b>	
Sheet 36 of 37	<b>DECORATIVE MAINTENANCE STREETLIGHT</b>	
	<b>SUNSET VALLEY</b>	
		Rev: 08/01/20

<b>MU-ID</b>	<b>MU-REF</b>	<b>MU-DESCRIPTION</b>
--------------	---------------	-----------------------

SVGRN100WMH240V	19194635	SUNSET VALLEY GRN 100W MH 240V
-----------------	----------	--------------------------------

ID	CU-REF	CU-DESC	QTY	MU-REF
A	19192035	DEC SUNSET VALLEY GRN MH 100W 240V	1	19194635
B	19287003	CLAMP COMPRESSION CU #10 TO #12	6	19194635
C	19284520	MIDGET FUSE 5 AMP 600V AC	2	19194635
D	19284505	FUSE HOLDER BREAKAWAY 1IN AND 1OUT	2	19194635
E	12080402	WIRE # 12 CU 2C W/GRD	20	19194635
F	19282002	LAMP MTL HALIDE MOGUL BASE 100W	1	19194635
G	12450411	CONN SPLIT BOLT 6 SOLID CU	1	19194635
H	19282072	CONTROLLER COMMUNICATION DECORATIVE	1	19194635

<b>CU-ID</b>	<b>CU-REF</b>	<b>CU-DESCRIPTION</b>
--------------	---------------	-----------------------

DECSVGRNMH100W240V	19192035	DEC SUNSET VALLEY GRN MH 100W 240V
--------------------	----------	------------------------------------

ID	PART NUM	PART DESC	QTY	CU-REF
1	0000018576	STREET LIGHT DEC SUNSET VALLEY GREEN MH 100W 240V ASSY	1 EA	19192035
2	0000008496	WASHER SLPA FLAT HOT DIP GALV FOR 1 INCH BOLT	4 EA	19192035

DECSVGRNFIX100WMH240V	19192235	DEC SUNSET VALLEY GRN FIX 100W MH 240V
-----------------------	----------	--

ID	PART NUM	PART DESC	QTY	CU-REF
1	0000018612	STREET LIGHT DEC SUNSET VALLEY GRN FIXTURE MH 100W 240V	1 EA	19192235

DECSVGRNPOLE	19192252	DEC SUNSET VALLEY GRN POLE
--------------	----------	----------------------------

ID	PART NUM	PART DESC	QTY	CU-REF
1	0000023632	POLE DECORATIVE LED FOR GREEN, SUNSET VALLEY	1 EA	19192252
2	0000008496	WASHER SLPA FLAT HOT DIP GALV FOR 1 INCH BOLT	4 EA	19192252

DECSVGRNARM	19192258	DEC SUNSET VALLEY GREEN ARM
-------------	----------	-----------------------------

ID	PART NUM	PART DESC	QTY	CU-REF
1	0000022831	ARM DECORATIVE LED FOR GREEN, SUNSET VALLEY	1 EA	19192258



 Rev: 08/01/20	<b>STREETLIGHTS</b> <b>DECORATIVE MAINTENANCE STREETLIGHT</b> <b>SUNSET VALLEY</b>	<b>1919-46</b> Sheet 37 of 37

<b>MU-ID</b>	<b>MU-REF</b>	<b>MU-DESCRIPTION</b>
--------------	---------------	-----------------------

SVGRN250WMH240V	19194636	SUNSET VALLEY GRN 250W MH 240V
-----------------	----------	--------------------------------

ID	CU-REF	CU-DESC	QTY	MU-REF
A	19192036	DEC SUNSET VALLEY GRN MH 250W 240V	1	19194636
B	19287003	CLAMP COMPRESSION CU #10 TO #12	6	19194636
C	19284520	MIDGET FUSE 5 AMP 600V AC	2	19194636
D	19284505	FUSE HOLDER BREAKAWAY 1IN AND 1OUT	2	19194636
E	12080402	WIRE # 12 CU 2C W/GRD	20	19194636
F	19282004	LAMP MTL HALIDE MOGUL BASE 250W	1	19194636
G	12450411	CONN SPLIT BOLT 6 SOLID CU	1	19194636
H	19282072	CONTROLLER COMMUNICATION DECORATIVE	1	19194636

<b>CU-ID</b>	<b>CU-REF</b>	<b>CU-DESCRIPTION</b>
--------------	---------------	-----------------------

DECSVGRNMH250W240V	19192036	DEC SUNSET VALLEY GRN MH 250W 240V
--------------------	----------	------------------------------------

ID	PART NUM	PART DESC	QTY	CU-REF
1	0000018579	STREET LIGHT DEC SUNSET VALLEY GREEN MH 250W 240V ASSY	1 EA	19192036
2	0000008496	WASHER SLPA FLAT HOT DIP GALV FOR 1 INCH BOLT	4 EA	19192036

DECSVGRNFIX250WMH240V	19192236	DEC SUNSET VALLEY GRN FIX 250W MH 240V
-----------------------	----------	--

ID	PART NUM	PART DESC	QTY	CU-REF
1	0000018618	STREET LIGHT DEC SUNSET VALLEY GRN FIXTURE MH 250W 240V	1 EA	19192236

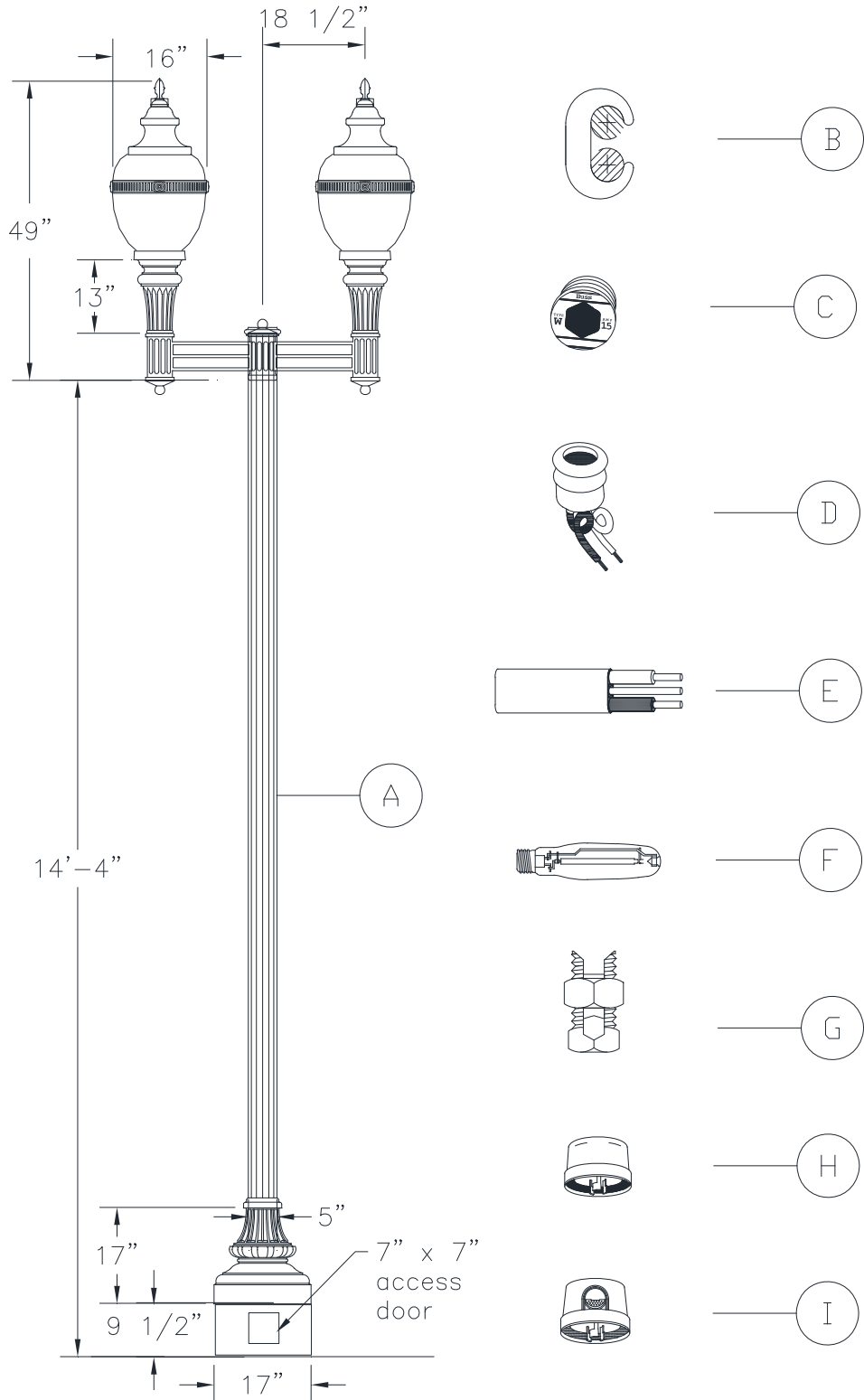
DECSVGRNPOLE	19192252	DEC SUNSET VALLEY GRN POLE
--------------	----------	----------------------------

ID	PART NUM	PART DESC	QTY	CU-REF
1	0000023632	POLE DECORATIVE LED FOR GREEN, SUNSET VALLEY	1 EA	19192252
2	0000008496	WASHER SLPA FLAT HOT DIP GALV FOR 1 INCH BOLT	4 EA	19192252

DECSVGRNARM	19192258	DEC SUNSET VALLEY GREEN ARM
-------------	----------	-----------------------------

ID	PART NUM	PART DESC	QTY	CU-REF
1	0000022831	ARM DECORATIVE LED FOR GREEN, SUNSET VALLEY	1 EA	19192258

**STREETLIGHTS**  
**DECORATIVE MAINTENANCE STREETLIGHT**  
**SYMPHONY SQUARE**







 Rev: 08/01/20	<b>STREETLIGHTS</b> DECORATIVE MAINTENANCE STREETLIGHT <b>SYMPHONY SQUARE</b>	<b>1919-47</b> Sheet 4 of 37

<b>MU-ID</b>	<b>MU-REF</b>	<b>MU-DESCRIPTION</b>
SSBLK100WMH120V	19194703	SYMPHONY SQUARE BLK 100W MH 120V

<b>ID</b>	<b>CU-REF</b>	<b>CU-DESC</b>	<b>QTY</b>	<b>MU-REF</b>
A	19192503	DEC SYMPHONY SQ BLK MH 100W 120V	1	19194703
B	19287003	CLAMP COMPRESSION CU #10 TO #12	6	19194703
C	19284520	MIDGET FUSE 5 AMP 600V AC	2	19194703
D	19284505	FUSE HOLDER BREAKAWAY 1IN AND 1OUT	2	19194703
E	12080402	WIRE # 12 CU 2C W/GRD	50	19194703
F	19282002	LAMP MTL HALIDE MOGUL BASE 100W	2	19194703
G	12450411	CONN SPLIT BOLT 6 SOLID CU	1	19194703
H	19282072	CONTROLLER COMMUNICATION DECORATIVE	1	19194703

<b>CU-ID</b>	<b>CU-REF</b>	<b>CU-DESCRIPTION</b>
DECSSBLKMH100W120V	19192503	DEC SYMPHONY SQ BLK MH 100W 120V

<b>ID</b>	<b>PART NUM</b>	<b>PART DESC</b>	<b>QTY</b>	<b>CU-REF</b>
1	0000017904	ST LIGHT DEC SYMPHONY SQUARE 100W MH 120V BLACK	1 EA	19192503
2	0000008496	WASHER SLPA FLAT HOT DIP GALV FOR 1 INCH BOLT	4 EA	19192503

<b>ID</b>	<b>PART NUM</b>	<b>PART DESC</b>	<b>QTY</b>	<b>CU-REF</b>
1	0000018665	STREET LIGHT DEC SYMPHONY SQUARE BLK FIXTURE MH100W120V	1 EA	19192703

<b>ID</b>	<b>PART NUM</b>	<b>PART DESC</b>	<b>QTY</b>	<b>CU-REF</b>
1	0000018674	POLE, ST LIGHT DEDECORATIVE SYMPHONY SQUARE BLK	1 EA	19192750
2	0000008496	WASHER SLPA FLAT HOT DIP GALV FOR 1 INCH BOLT	4 EA	19192750

<b>ID</b>	<b>PART NUM</b>	<b>PART DESC</b>	<b>QTY</b>	<b>CU-REF</b>
1	0000018660	ST LIGHT DEC SYMPHONY SQUARE BLK BRACKET	1 EA	19192760

<b>1919-47</b>	<b>STREETLIGHTS</b>	
Sheet 5 of 37	<b>DECORATIVE MAINTENANCE STREETLIGHT</b>	
	<b>SYMPHONY SQUARE</b>	
		Rev: 08/01/20

MU-ID	MU-REF	MU-DESCRIPTION		
SSBLK250WMH120V	19194704	SYMPHONY SQUARE BLK 250W MH 120V		
ID	CU-REF	CU-DESC	QTY	MU-REF
A	19192504	DEC SYMPHONY SQ BLK MH 250W 120V	1	19194704
B	19287003	CLAMP COMPRESSION CU #10 TO #12	6	19194704
C	19284520	MIDGET FUSE 5 AMP 600V AC	2	19194704
D	19284505	FUSE HOLDER BREAKAWAY 1IN AND 1OUT	2	19194704
E	12080402	WIRE # 12 CU 2C W/GRD	50	19194704
F	19282004	LAMP MTL HALIDE MOGUL BASE 250W	2	19194704
G	12450411	CONN SPLIT BOLT 6 SOLID CU	1	19194704
H	19282072	CONTROLLER COMMUNICATION DECORATIVE	1	19194704

CU-ID	CU-REF	CU-DESCRIPTION		
DECSSBLKMH250W120V	19192504	DEC SYMPHONY SQ BLK MH 250W 120V		
ID	PART NUM	PART DESC	QTY	CU-REF
1	0000017905	ST LIGHT DEC SYMPHONY SQUARE 250W MH 120V BLACK	1 EA	19192504
2	0000008496	WASHER SLPA FLAT HOT DIP GALV FOR 1 INCH BOLT	4 EA	19192504

CU-ID	CU-REF	CU-DESCRIPTION		
DECSSBLKFIX250WMH120V	19192704	DEC SYMPHONY SQ BLK FIX 250W MH 120V		
ID	PART NUM	PART DESC	QTY	CU-REF
1	0000018671	STREET LIGHT DEC SYMPHONY SQUARE BLK FIXTURE MH250W120V	1 EA	19192704

CU-ID	CU-REF	CU-DESCRIPTION		
DECSSBLKPOLE	19192750	DEC SYMPHONY SQ BLK POLE		
ID	PART NUM	PART DESC	QTY	CU-REF
1	0000018674	POLE, ST LIGHT DEDECORATIVE SYMPHONY SQUARE BLK	1 EA	19192750
2	0000008496	WASHER SLPA FLAT HOT DIP GALV FOR 1 INCH BOLT	4 EA	19192750

CU-ID	CU-REF	CU-DESCRIPTION		
DECSSBLKBRKT	19192760	DEC SYMPHONY SQ BLK BRACKET		
ID	PART NUM	PART DESC	QTY	CU-REF
1	0000018660	ST LIGHT DEC SYMPHONY SQUARE BLK BRACKET	1 EA	19192760

 Rev: 08/01/20	<b>STREETLIGHTS</b> DECORATIVE MAINTENANCE STREETLIGHT <b>SYMPHONY SQUARE</b>	<b>1919-47</b> Sheet 6 of 37

<b>MU-ID</b>	<b>MU-REF</b>	<b>MU-DESCRIPTION</b>
--------------	---------------	-----------------------

SSBLK100WHPS208V	19194705	SYMPHONY SQUARE BLK 100W HPS 208V
------------------	----------	-----------------------------------

ID	CU-REF	CU-DESC	QTY	MU-REF
A	19192505	DEC SYMPHONY SQ BLK HPS 100W 208V	1	19194705
B	19287003	CLAMP COMPRESSION CU #10 TO #12	12	19194705
C	19284520	MIDGET FUSE 5 AMP 600V AC	4	19194705
D	19284505	FUSE HOLDER BREAKAWAY 1IN AND 1OUT	4	19194705
E	12080402	WIRE # 12 CU 2C W/GRD	50	19194705
F	19282012	LAMP HPS MOGUL BASE 100W	2	19194705
G	12450411	CONN SPLIT BOLT 6 SOLID CU	1	19194705
H	19282072	CONTROLLER COMMUNICATION DECORATIVE	1	19194705

<b>CU-ID</b>	<b>CU-REF</b>	<b>CU-DESCRIPTION</b>
--------------	---------------	-----------------------

DECSSBLKHPS100W208V	19192505	DEC SYMPHONY SQ BLK HPS 100W 208V
---------------------	----------	-----------------------------------

ID	PART NUM	PART DESC	QTY	CU-REF
1	0000018627	STREET LIGHT DEC SYMPHONY SQUARE BLK HPS 100W 208V ASSY	1 EA	19192505
2	0000008496	WASHER SLPA FLAT HOT DIP GALV FOR 1 INCH BOLT	4 EA	19192505

DECSSBLKFIX100WHPS208V	19192705	DEC SYMPHONY SQ BLK FIX 100W HPS 208V
------------------------	----------	---------------------------------------


ID	PART NUM	PART DESC	QTY	CU-REF
1	0000018662	STREET LIGHT DEC SYMPHONY SQUARE BLK FIXTUREHPS100W208V	1 EA	19192705

DECSSBLKPOLE	19192750	DEC SYMPHONY SQ BLK POLE
--------------	----------	--------------------------

ID	PART NUM	PART DESC	QTY	CU-REF
1	0000018674	POLE, ST LIGHT DEDECORATIVE SYMPHONY SQUARE BLK	1 EA	19192750
2	0000008496	WASHER SLPA FLAT HOT DIP GALV FOR 1 INCH BOLT	4 EA	19192750

DECSSBLKBRKT	19192760	DEC SYMPHONY SQ BLK BRACKET
--------------	----------	-----------------------------

ID	PART NUM	PART DESC	QTY	CU-REF
1	0000018660	ST LIGHT DEC SYMPHONY SQUARE BLK BRACKET	1 EA	19192760

1919-47	<b>STREETLIGHTS</b> <b>DECORATIVE MAINTENANCE STREETLIGHT</b> <b>SYMPHONY SQUARE</b>	
Sheet 7 of 37		
		Rev: 08/01/20

**MU-ID MU-REF MU-DESCRIPTION**

SSBLK250WHPS208V 19194706 SYMPHONY SQUARE BLK 250W HPS 208V

ID	CU-REF	CU-DESC	QTY	MU-REF
A	19192506	DEC SYMPHONY SQ BLK HPS 250W 208V	1	19194706
B	19287003	CLAMP COMPRESSION CU #10 TO #12	12	19194706
C	19284520	MIDGET FUSE 5 AMP 600V AC	4	19194706
D	19284505	FUSE HOLDER BREAKAWAY 1IN AND 1OUT	4	19194706
E	12080402	WIRE # 12 CU 2C W/GRD	50	19194706
F	19282014	LAMP HPS MOGUL BASE 250W	2	19194706
G	12450411	CONN SPLIT BOLT 6 SOLID CU	1	19194706
H	19282072	CONTROLLER COMMUNICATION DECORATIVE	1	19194706

**CU-ID CU-REF CU-DESCRIPTION**

DECSSBLKHPS250W208V 19192506 DEC SYMPHONY SQ BLK HPS 250W 208V

ID	PART NUM	PART DESC	QTY	CU-REF
1	0000018629	STREET LIGHT DEC SYMPHONY SQUARE BLK HPS 250W 208V ASSY	1 EA	19192506
2	0000008496	WASHER SLPA FLAT HOT DIP GALV FOR 1 INCH BOLT	4 EA	19192506

DECSSBLKFIX250WHPS208V 19192706 DEC SYMPHONY SQ BLK FIX 250W HPS 208V

ID	PART NUM	PART DESC	QTY	CU-REF
1	0000018669	STREET LIGHT DEC SYMPHONY SQUARE BLKFIXTURE HPS250W208V	1 EA	19192706

DECSSBLKPOLE 19192750 DEC SYMPHONY SQ BLK POLE

ID	PART NUM	PART DESC	QTY	CU-REF
1	0000018674	POLE, ST LIGHT DEECORATIVE SYMPHONY SQUARE BLK	1 EA	19192750
2	0000008496	WASHER SLPA FLAT HOT DIP GALV FOR 1 INCH BOLT	4 EA	19192750

DECSSBLKBRKT 19192760 DEC SYMPHONY SQ BLK BRACKET

ID	PART NUM	PART DESC	QTY	CU-REF
1	0000018660	ST LIGHT DEC SYMPHONY SQUARE BLK BRACKET	1 EA	19192760



 Rev: 08/01/20	<b>STREETLIGHTS</b> <b>DECORATIVE MAINTENANCE STREETLIGHT</b> <b>SYMPHONY SQUARE</b>	<b>1919-47</b> Sheet 8 of 37

<b>MU-ID</b>	<b>MU-REF</b>	<b>MU-DESCRIPTION</b>
--------------	---------------	-----------------------

SSBLK100WMH208V	19194707	SYMPHONY SQUARE BLK 100W MH 208V
-----------------	----------	----------------------------------

ID	CU-REF	CU-DESC	QTY	MU-REF
A	19192507	DEC SYMPHONY SQ BLK MH 100W 208V	1	19194707
B	19287003	CLAMP COMPRESSION CU #10 TO #12	12	19194707
C	19284520	MIDGET FUSE 5 AMP 600V AC	4	19194707
D	19284505	FUSE HOLDER BREAKAWAY 1IN AND 1OUT	4	19194707
E	12080402	WIRE # 12 CU 2C W/GRD	50	19194707
F	19282002	LAMP MTL HALIDE MOGUL BASE 100W	2	19194707
G	12450411	CONN SPLIT BOLT 6 SOLID CU	1	19194707
H	19282072	CONTROLLER COMMUNICATION DECORATIVE	1	19194707

<b>CU-ID</b>	<b>CU-REF</b>	<b>CU-DESCRIPTION</b>
--------------	---------------	-----------------------

DECSSBLKMH100W208V	19192507	DEC SYMPHONY SQ BLK MH 100W 208V
--------------------	----------	----------------------------------

ID	PART NUM	PART DESC	QTY	CU-REF
1	0000018633	STREET LIGHT DEC SYMPHONY SQUARE BLK MH 100W 208V ASSY	1 EA	19192507
2	0000008496	WASHER SLPA FLAT HOT DIP GALV FOR 1 INCH BOLT	4 EA	19192507

DECSSBLKFIX100WMH208V	19192707	DEC SYMPHONY SQ BLK FIX 100W MH 208V
-----------------------	----------	--------------------------------------

ID	PART NUM	PART DESC	QTY	CU-REF
1	0000018666	STREET LIGHT DEC SYMPHONY SQUARE BLK FIXTURE MH100W208V	1 EA	19192707

DECSSBLKPOLE	19192750	DEC SYMPHONY SQ BLK POLE
--------------	----------	--------------------------

ID	PART NUM	PART DESC	QTY	CU-REF
1	0000018674	POLE, ST LIGHT DEDECORATIVE SYMPHONY SQUARE BLK	1 EA	19192750
2	0000008496	WASHER SLPA FLAT HOT DIP GALV FOR 1 INCH BOLT	4 EA	19192750

DECSSBLKBRKT	19192760	DEC SYMPHONY SQ BLK BRACKET
--------------	----------	-----------------------------

ID	PART NUM	PART DESC	QTY	CU-REF
1	0000018660	ST LIGHT DEC SYMPHONY SQUARE BLK BRACKET	1 EA	19192760

1919-47	STREETLIGHTS	
Sheet 9 of 37	DECORATIVE MAINTENANCE STREETLIGHT	
	SYMPHONY SQUARE	
		Rev: 08/01/20

MU-ID	MU-REF	MU-DESCRIPTION
SSBLK250WMH208V	19194708	SYMPHONY SQUARE BLK 250W MH 208V

ID	CU-REF	CU-DESC	QTY	MU-REF
A	19192508	DEC SYMPHONY SQ BLK MH 250W 208V	1	19194708
B	19287003	CLAMP COMPRESSION CU #10 TO #12	12	19194708
C	19284520	MIDGET FUSE 5 AMP 600V AC	4	19194708
D	19284505	FUSE HOLDER BREAKAWAY 1IN AND 1OUT	4	19194708
E	12080402	WIRE # 12 CU 2C W/GRD	50	19194708
F	19282004	LAMP MTL HALIDE MOGUL BASE 250W	2	19194708
G	12450411	CONN SPLIT BOLT 6 SOLID CU	1	19194708
H	19282072	CONTROLLER COMMUNICATION DECORATIVE	1	19194708

CU-ID	CU-REF	CU-DESCRIPTION
DECSSBLKMH250W208V	19192508	DEC SYMPHONY SQ BLK MH 250W 208V

ID	PART NUM	PART DESC	QTY	CU-REF
1	0000018632	STREET LIGHT DEC SYMPHONY SQUARE BLK MH 250W 208V ASSY	1 EA	19192508
2	0000008496	WASHER SLPA FLAT HOT DIP GALV FOR 1 INCH BOLT	4 EA	19192508

CU-ID	CU-REF	CU-DESCRIPTION
DECSSBLKFIX250WMH208V	19192708	DEC SYMPHONY SQ BLK FIX 250W MH 208V

ID	PART NUM	PART DESC	QTY	CU-REF
1	0000018672	STREET LIGHT DEC SYMPHONY SQUARE BLK FIXTURE MH250W208V	1 EA	19192708

CU-ID	CU-REF	CU-DESCRIPTION
DECSSBLKPOLE	19192750	DEC SYMPHONY SQ BLK POLE

ID	PART NUM	PART DESC	QTY	CU-REF
1	0000018674	POLE, ST LIGHT DEDECORATIVE SYMPHONY SQUARE BLK	1 EA	19192750
2	0000008496	WASHER SLPA FLAT HOT DIP GALV FOR 1 INCH BOLT	4 EA	19192750

CU-ID	CU-REF	CU-DESCRIPTION
DECSSBLKBRKT	19192760	DEC SYMPHONY SQ BLK BRACKET

ID	PART NUM	PART DESC	QTY	CU-REF
1	0000018660	ST LIGHT DEC SYMPHONY SQUARE BLK BRACKET	1 EA	19192760

 Rev: 08/01/20	<b>STREETLIGHTS</b> <b>DECORATIVE MAINTENANCE STREETLIGHT</b> <b>SYMPHONY SQUARE</b>	<b>1919-47</b> Sheet 10 of 37

**MU-ID MU-REF MU-DESCRIPTION**

SSBLK100WHPS240V 19194709 SYMPHONY SQUARE BLK 100W HPS 240V

ID	CU-REF	CU-DESC	QTY	MU-REF
A	19192509	DEC SYMPHONY SQ BLK HPS 100W 240V	1	19194709
B	19287003	CLAMP COMPRESSION CU #10 TO #12	12	19194709
C	19284520	MIDGET FUSE 5 AMP 600V AC	4	19194709
D	19284505	FUSE HOLDER BREAKAWAY 1IN AND 1OUT	4	19194709
E	12080402	WIRE # 12 CU 2C W/GRD	50	19194709
F	19282012	LAMP HPS MOGUL BASE 100W	2	19194709
G	12450411	CONN SPLIT BOLT 6 SOLID CU	1	19194709
H	19282072	CONTROLLER COMMUNICATION DECORATIVE	1	19194709

**CU-ID CU-REF CU-DESCRIPTION**

DECSSBLKHPS100W240V 19192509 DEC SYMPHONY SQ BLK HPS 100W 240V

ID	PART NUM	PART DESC	QTY	CU-REF
1	0000018628	STREET LIGHT DEC SYMPHONY SQUARE BLK HPS 100W 240V ASSY	1 EA	19192509
2	0000008496	WASHER SLPA FLAT HOT DIP GALV FOR 1 INCH BOLT	4 EA	19192509

DECSSBLKFIX100WHPS240V 19192709 DEC SYMPHONY SQ BLK FIX 100W HPS 240V


ID	PART NUM	PART DESC	QTY	CU-REF
1	0000018664	STREET LIGHT DEC SYMPHONY SQUARE BLKFIXTURE HPS100W240V	1 EA	19192709

DECSSBLKPOLE 19192750 DEC SYMPHONY SQ BLK POLE

ID	PART NUM	PART DESC	QTY	CU-REF
1	0000018674	POLE, ST LIGHT DEDECORATIVE SYMPHONY SQUARE BLK	1 EA	19192750
2	0000008496	WASHER SLPA FLAT HOT DIP GALV FOR 1 INCH BOLT	4 EA	19192750

DECSSBLKBRKT 19192760 DEC SYMPHONY SQ BLK BRACKET

ID	PART NUM	PART DESC	QTY	CU-REF
1	0000018660	ST LIGHT DEC SYMPHONY SQUARE BLK BRACKET	1 EA	19192760

1919-47	STREETLIGHTS	 <b>AUSTIN ENERGY</b>
Sheet 11 of 37	DECORATIVE MAINTENANCE STREETLIGHT	
	SYMPHONY SQUARE	
		Rev: 08/01/20

**MU-ID                                      MU-REF                                      MU-DESCRIPTION**

SSBLK250WHPS240V                      19194710                      SYMPHONY SQUARE BLK 250W HPS 240V

ID	CU-REF	CU-DESC	QTY	MU-REF
A	19192510	DEC SYMPHONY SQ BLK HPS 250W 240V	1	19194710
B	19287003	CLAMP COMPRESSION CU #10 TO #12	12	19194710
C	19284520	MIDGET FUSE 5 AMP 600V AC	4	19194710
D	19284505	FUSE HOLDER BREAKAWAY 1IN AND 1OUT	4	19194710
E	12080402	WIRE # 12 CU 2C W/GRD	50	19194710
F	19282014	LAMP HPS MOGUL BASE 250W	2	19194710
G	12450411	CONN SPLIT BOLT 6 SOLID CU	1	19194710
H	19282072	CONTROLLER COMMUNICATION DECORATIVE	1	19194710

**CU-ID                                      CU-REF                                      CU-DESCRIPTION**

DECSSBLKHPS250W240V                      19192510                      DEC SYMPHONY SQ BLK HPS 250W 240V

ID	PART NUM	PART DESC	QTY	CU-REF
1	0000018630	STREET LIGHT DEC SYMPHONY SQUARE BLK HPS 250W 240V ASSY	1 EA	19192510
2	0000008496	WASHER SLPA FLAT HOT DIP GALV FOR 1 INCH BOLT	4 EA	19192510

DECSSBLKFIX250WHPS240V                      19192710                      DEC SYMPHONY SQ BLK FIX 250W HPS 240V

ID	PART NUM	PART DESC	QTY	CU-REF
1	0000018670	STREET LIGHT DEC SYMPHONY SQUARE BLKFIXTURE HPS250WHPS2	1 EA	19192710

DECSSBLKPOLE                              19192750                      DEC SYMPHONY SQ BLK POLE

ID	PART NUM	PART DESC	QTY	CU-REF
1	0000018674	POLE, ST LIGHT DEDECORATIVE SYMPHONY SQUARE BLK	1 EA	19192750
2	0000008496	WASHER SLPA FLAT HOT DIP GALV FOR 1 INCH BOLT	4 EA	19192750

DECSSBLKBRKT                              19192760                      DEC SYMPHONY SQ BLK BRACKET

ID	PART NUM	PART DESC	QTY	CU-REF
1	0000018660	ST LIGHT DEC SYMPHONY SQUARE BLK BRACKET	1 EA	19192760

	<b>STREETLIGHTS</b> <b>DECORATIVE MAINTENANCE STREETLIGHT</b> <b>SYMPHONY SQUARE</b>	<b>1919-47</b> Sheet 12 of 37
	Rev: 08/01/20	

MU-ID	MU-REF	MU-DESCRIPTION
-------	--------	----------------

SSBLK100WMH240V	19194711	SYMPHONY SQUARE BLK 100W MH 240V
-----------------	----------	----------------------------------

ID	CU-REF	CU-DESC	QTY	MU-REF
A	19192511	DEC SYMPHONY SQ BLK MH 100W 240V	1	19194711
B	19287003	CLAMP COMPRESSION CU #10 TO #12	12	19194711
C	19284520	MIDGET FUSE 5 AMP 600V AC	4	19194711
D	19284505	FUSE HOLDER BREAKAWAY 1IN AND 1OUT	4	19194711
E	12080402	WIRE # 12 CU 2C W/GRD	50	19194711
F	19282002	LAMP MTL HALIDE MOGUL BASE 100W	2	19194711
G	12450411	CONN SPLIT BOLT 6 SOLID CU	1	19194711
H	19282072	CONTROLLER COMMUNICATION DECORATIVE	1	19194711

CU-ID	CU-REF	CU-DESCRIPTION
-------	--------	----------------

DECSSBLKMH100W240V	19192511	DEC SYMPHONY SQ BLK MH 100W 240V
--------------------	----------	----------------------------------

ID	PART NUM	PART DESC	QTY	CU-REF
1	0000018634	STREET LIGHT DEC SYMPHONY SQUARE BLACK MH 100W 240V ASS	1 EA	19192511
2	0000008496	WASHER SLPA FLAT HOT DIP GALV FOR 1 INCH BOLT	4 EA	19192511

DECSSBLKFIX100WMH240V	19192711	DEC SYMPHONY SQ BLK FIX 100W MH 240V
-----------------------	----------	--------------------------------------


ID	PART NUM	PART DESC	QTY	CU-REF
1	0000018667	ST LIGHT DEC SYMPHONY SQUARE BLK FIXTURE 100W MH 240V	1 EA	19192711

DECSSBLKPOLE	19192750	DEC SYMPHONY SQ BLK POLE
--------------	----------	--------------------------

ID	PART NUM	PART DESC	QTY	CU-REF
1	0000018674	POLE, ST LIGHT DEDECORATIVE SYMPHONY SQUARE BLK	1 EA	19192750
2	0000008496	WASHER SLPA FLAT HOT DIP GALV FOR 1 INCH BOLT	4 EA	19192750

DECSSBLKBRKT	19192760	DEC SYMPHONY SQ BLK BRACKET
--------------	----------	-----------------------------

ID	PART NUM	PART DESC	QTY	CU-REF
1	0000018660	ST LIGHT DEC SYMPHONY SQUARE BLK BRACKET	1 EA	19192760

1919-47	<b>STREETLIGHTS</b> <b>DECORATIVE MAINTENANCE STREETLIGHT</b> <b>SYMPHONY SQUARE</b>	 <b>AUSTIN ENERGY</b>
Sheet 13 of 37		
		Rev: 08/01/20

**MU-ID    MU-REF    MU-DESCRIPTION**

SSBLK250WMH240V    19194712    SYMPHONY SQUARE BLK 250W MH 240V

ID	CU-REF	CU-DESC	QTY	MU-REF
A	19192512	DEC SYMPHONY SQ BLK MH 250W 240V	1	19194712
B	19287003	CLAMP COMPRESSION CU #10 TO #12	12	19194712
C	19284520	MIDGET FUSE 5 AMP 600V AC	4	19194712
D	19284505	FUSE HOLDER BREAKAWAY 1IN AND 1OUT	4	19194712
E	12080402	WIRE # 12 CU 2C W/GRD	50	19194712
F	19282004	LAMP MTL HALIDE MOGUL BASE 250W	2	19194712
G	12450411	CONN SPLIT BOLT 6 SOLID CU	1	19194712
H	19282072	CONTROLLER COMMUNICATION DECORATIVE	1	19194712

**CU-ID    CU-REF    CU-DESCRIPTION**

DECSSBLKMH250W240V    19192512    DEC SYMPHONY SQ BLK MH 250W 240V

ID	PART NUM	PART DESC	QTY	CU-REF
1	0000018631	STREET LIGHT DEC SYMPHONY SQUARE BLACK MH250W 240V ASSY	1 EA	19192512
2	0000008496	WASHER SLPA FLAT HOT DIP GALV FOR 1 INCH BOLT	4 EA	19192512

DECSSBLKFIX250WMH240V    19192712    DEC SYMPHONY SQ BLK FIX 250W MH 240V

ID	PART NUM	PART DESC	QTY	CU-REF
1	0000018673	ST LIGHT DEC SYMPHONY SQUARE BLK FIXTURE 250W MH 240V	1 EA	19192712

DECSSBLKPOLE    19192750    DEC SYMPHONY SQ BLK POLE

ID	PART NUM	PART DESC	QTY	CU-REF
1	0000018674	POLE, ST LIGHT DEDECORATIVE SYMPHONY SQUARE BLK	1 EA	19192750
2	0000008496	WASHER SLPA FLAT HOT DIP GALV FOR 1 INCH BOLT	4 EA	19192750

DECSSBLKBRKT    19192760    DEC SYMPHONY SQ BLK BRACKET

ID	PART NUM	PART DESC	QTY	CU-REF
1	0000018660	ST LIGHT DEC SYMPHONY SQUARE BLK BRACKET	1 EA	19192760

 Rev: 08/01/20	<b>STREETLIGHTS</b> <b>DECORATIVE MAINTENANCE STREETLIGHT</b> <b>SYMPHONY SQUARE</b>	<b>1919-47</b> Sheet 14 of 37

MU-ID	MU-REF	MU-DESCRIPTION
SSBRN100WHPS120V	19194713	SYMPHONY SQUARE BRN 100W HPS 120V

ID	CU-REF	CU-DESC	QTY	MU-REF
A	19192513	DEC SYMPHONY SQ BRN HPS 100W 120V	1	19194713
B	19287003	CLAMP COMPRESSION CU #10 TO #12	6	19194713
C	19284520	MIDGET FUSE 5 AMP 600V AC	2	19194713
D	19284505	FUSE HOLDER BREAKAWAY 1IN AND 1OUT	2	19194713
E	12080402	WIRE # 12 CU 2C W/GRD	50	19194713
F	19282012	LAMP HPS MOGUL BASE 100W	2	19194713
G	12450411	CONN SPLIT BOLT 6 SOLID CU	1	19194713
H	19282072	CONTROLLER COMMUNICATION DECORATIVE	1	19194713

CU-ID	CU-REF	CU-DESCRIPTION
DECSSBRNHPS100W120V	19192513	DEC SYMPHONY SQ BRN HPS 100W 120V

ID	PART NUM	PART DESC	QTY	CU-REF
1	0000018635	STREET LIGHT DEC SYMPHONY SQUARE BRN HPS 100W120V ASSY	1 EA	19192513
2	0000008496	WASHER SLPA FLAT HOT DIP GALV FOR 1 INCH BOLT	4 EA	19192513

CU-ID	CU-REF	CU-DESCRIPTION
DECSSBRNFIX100WHPS120V	19192713	DEC SYMPHONY SQ BRN FIX 100W HPS 120V

ID	PART NUM	PART DESC	QTY	CU-REF
1	0000018676	ST LIGHT DEC SYMPHONY SQUARE BRN FIXTURE 100W HPS 120V	1 EA	19192713

CU-ID	CU-REF	CU-DESCRIPTION
DECSSBRNPOLE	19192751	DEC SYMPHONY SQ BRN POLE

ID	PART NUM	PART DESC	QTY	CU-REF
1	0000018688	POLE, ST LIGHT DECORATIVE SYMPHONY SQUARE BRN	1 EA	19192751
2	0000008496	WASHER SLPA FLAT HOT DIP GALV FOR 1 INCH BOLT	4 EA	19192751

CU-ID	CU-REF	CU-DESCRIPTION
DECSSBRNBRKT	19192761	DEC SYMPHONY SQ BRN BRACKET

ID	PART NUM	PART DESC	QTY	CU-REF
1	0000018675	ST LIGHT DEC SYMPHONY SQUARE BRN BRACKET	1 EA	19192761

1919-47	STREETLIGHTS DECORATIVE MAINTENANCE STREETLIGHT SYMPHONY SQUARE	
Sheet 15 of 37		
		Rev: 08/01/20

MU-ID	MU-REF	MU-DESCRIPTION		
SSBRN250WHPS120V	19194714	SYMPHONY SQUARE BRN 250W HPS 120V		
ID	CU-REF	CU-DESC	QTY	MU-REF
A	19192514	DEC SYMPHONY SQ BRN HPS 250W 120V	1	19194714
B	19287003	CLAMP COMPRESSION CU #10 TO #12	6	19194714
C	19284520	MIDGET FUSE 5 AMP 600V AC	2	19194714
D	19284505	FUSE HOLDER BREAKAWAY 1IN AND 1OUT	2	19194714
E	12080402	WIRE # 12 CU 2C W/GRD	50	19194714
F	19282014	LAMP HPS MOGUL BASE 250W	2	19194714
G	12450411	CONN SPLIT BOLT 6 SOLID CU	1	19194714
H	19282072	CONTROLLER COMMUNICATION DECORATIVE	1	19194714

CU-ID	CU-REF	CU-DESCRIPTION		
DECSSBRNHPS250W120V	19192514	DEC SYMPHONY SQ BRN HPS 250W 120V		
ID	PART NUM	PART DESC	QTY	CU-REF
1	0000018638	STREET LIGHT DEC SYMPHONY SQUARE BRN HPS250W 120V ASSY	1 EA	19192514
2	0000008496	WASHER SLPA FLAT HOT DIP GALV FOR 1 INCH BOLT	4 EA	19192514

CU-ID	CU-REF	CU-DESCRIPTION		
DECSSBRNFIX250WHPS120V	19192714	DEC SYMPHONY SQ BRN FIX 250W HPS 120V		
ID	PART NUM	PART DESC	QTY	CU-REF
1	0000018682	ST LIGHT DEC SYMPHONY SQUARE BRN FIXTURE 250W HPS 120V	1 EA	19192714

CU-ID	CU-REF	CU-DESCRIPTION		
DECSSBRNPOLE	19192751	DEC SYMPHONY SQ BRN POLE		
ID	PART NUM	PART DESC	QTY	CU-REF
1	0000018688	POLE, ST LIGHT DECORATIVE SYMPHONY SQUARE BRN	1 EA	19192751
2	0000008496	WASHER SLPA FLAT HOT DIP GALV FOR 1 INCH BOLT	4 EA	19192751

CU-ID	CU-REF	CU-DESCRIPTION		
DECSSBRNBRKT	19192761	DEC SYMPHONY SQ BRN BRACKET		
ID	PART NUM	PART DESC	QTY	CU-REF
1	0000018675	ST LIGHT DEC SYMPHONY SQUARE BRN BRACKET	1 EA	19192761



	<b>STREETLIGHTS</b> DECORATIVE MAINTENANCE STREETLIGHT <b>SYMPHONY SQUARE</b>	<b>1919-47</b> Sheet 16 of 38
	Rev: 08/01/20	

MU-ID	MU-REF	MU-DESCRIPTION
SSBRN100WMH120V	19194715	SYMPHONY SQUARE BRN 100W MH 120V

ID	CU-REF	CU-DESC	QTY	MU-REF
A	19192515	DEC SYMPHONY SQ BRN MH 100W 120V	1	19194715
B	19287003	CLAMP COMPRESSION CU #10 TO #12	6	19194715
C	19284520	MIDGET FUSE 5 AMP 600V AC	2	19194715
D	19284505	FUSE HOLDER BREAKAWAY 1IN AND 1OUT	2	19194715
E	12080402	WIRE # 12 CU 2C W/GRD	50	19194715
F	19282002	LAMP MTL HALIDE MOGUL BASE 100W	2	19194715
G	12450411	CONN SPLIT BOLT 6 SOLID CU	1	19194715
H	19282072	CONTROLLER COMMUNICATION DECORATIVE	1	19194715

CU-ID	CU-REF	CU-DESCRIPTION
DECSSBRNMH100W120V	19192515	DEC SYMPHONY SQ BRN MH 100W 120V

ID	PART NUM	PART DESC	QTY	CU-REF
1	0000018641	STREET LIGHT DEC SYMPHONY SQUARE BRN MH 100W 120V ASSY	1 EA	19192515
2	0000008496	WASHER SLPA FLAT HOT DIP GALV FOR 1 INCH BOLT	4 EA	19192515

CU-ID	CU-REF	CU-DESCRIPTION
DECSSBRNFX100WMH120V	19192715	DEC SYMPHONY SQ BRN FIX 100W MH 120V

ID	PART NUM	PART DESC	QTY	CU-REF
1	0000018679	ST LIGHT DEC SYMPHONY SQUARE BRN FIXTURE 100W MH 120V	1 EA	19192715

CU-ID	CU-REF	CU-DESCRIPTION
DECSSBRNPOLE	19192751	DEC SYMPHONY SQ BRN POLE


ID	PART NUM	PART DESC	QTY	CU-REF
1	0000018688	POLE, ST LIGHT DECORATIVE SYMPHONY SQUARE BRN	1 EA	19192751
2	0000008496	WASHER SLPA FLAT HOT DIP GALV FOR 1 INCH BOLT	4 EA	19192751

CU-ID	CU-REF	CU-DESCRIPTION
DECSSBRNBRKT	19192761	DEC SYMPHONY SQ BRN BRACKET

ID	PART NUM	PART DESC	QTY	CU-REF
1	0000018675	ST LIGHT DEC SYMPHONY SQUARE BRN BRACKET	1 EA	19192761





<b>1919-47</b>	<b>STREETLIGHTS</b> <b>DECORATIVE MAINTENANCE STREETLIGHT</b> <b>SYMPHONY SQUARE</b>	
Sheet 19 of 37		
		Rev: 08/01/20

MU-ID	MU-REF	MU-DESCRIPTION
SSBRN250WHPS208V	19194718	SYMPHONY SQUARE BRN 250W HPS 208V

ID	CU-REF	CU-DESC	QTY	MU-REF
A	19192518	DEC SYMPHONY SQ BRN HPS 250W 208V	1	19194718
B	19287003	CLAMP COMPRESSION CU #10 TO #12	12	19194718
C	19284520	MIDGET FUSE 5 AMP 600V AC	4	19194718
D	19284505	FUSE HOLDER BREAKAWAY 1IN AND 1OUT	4	19194718
E	12080402	WIRE # 12 CU 2C W/GRD	50	19194718
F	19282014	LAMP HPS MOGUL BASE 250W	2	19194718
G	12450411	CONN SPLIT BOLT 6 SOLID CU	1	19194718
H	19282072	CONTROLLER COMMUNICATION DECORATIVE	1	19194718

CU-ID	CU-REF	CU-DESCRIPTION
DECSSBRNHPS250W208V	19192518	DEC SYMPHONY SQ BRN HPS 250W 208V

ID	PART NUM	PART DESC	QTY	CU-REF
1	0000018639	STREET LIGHT DEC SYMPHONY SQUARE BRN HPS 250W 208V ASSY	1 EA	19192518
2	0000008496	WASHER SLPA FLAT HOT DIP GALV FOR 1 INCH BOLT	4 EA	19192518

ID	PART NUM	PART DESC	QTY	CU-REF
1	0000018683	ST LIGHT DEC SYMPHONY SQUARE BRN FIXTURE 250W HPS 208V	1 EA	19192718

ID	PART NUM	PART DESC	QTY	CU-REF
1	0000018688	POLE, ST LIGHT DECORATIVE SYMPHONY SQUARE BRN	1 EA	19192751
2	0000008496	WASHER SLPA FLAT HOT DIP GALV FOR 1 INCH BOLT	4 EA	19192751

ID	PART NUM	PART DESC	QTY	CU-REF
1	0000018675	ST LIGHT DEC SYMPHONY SQUARE BRN BRACKET	1 EA	19192761

	<b>STREETLIGHTS</b> <b>DECORATIVE MAINTENANCE STREETLIGHT</b> <b>SYMPHONY SQUARE</b>	<b>1919-47</b>
		Sheet 20 of 37
Rev: 08/01/20		

<b>MU-ID</b>	<b>MU-REF</b>	<b>MU-DESCRIPTION</b>
--------------	---------------	-----------------------

SSBRN100WMH208V	19194719	SYMPHONY SQUARE BRN 100W MH 208V
-----------------	----------	----------------------------------

ID	CU-REF	CU-DESC	QTY	MU-REF
A	19192519	DEC SYMPHONY SQ BRN MH 100W 208V	1	19194719
B	19287003	CLAMP COMPRESSION CU #10 TO #12	12	19194719
C	19284520	MIDGET FUSE 5 AMP 600V AC	4	19194719
D	19284505	FUSE HOLDER BREAKAWAY 1IN AND 1OUT	4	19194719
E	12080402	WIRE # 12 CU 2C W/GRD	50	19194719
F	19282002	LAMP MTL HALIDE MOGUL BASE 100W	2	19194719
G	12450411	CONN SPLIT BOLT 6 SOLID CU	1	19194719
H	19282072	CONTROLLER COMMUNICATION DECORATIVE	1	19194719

<b>CU-ID</b>	<b>CU-REF</b>	<b>CU-DESCRIPTION</b>
--------------	---------------	-----------------------

DECSSBRNMH100W208V	19192519	DEC SYMPHONY SQ BRN MH 100W 208V
--------------------	----------	----------------------------------

ID	PART NUM	PART DESC	QTY	CU-REF
1	0000018642	STREET LIGHT DEC SYMPHONY SQUARE BRN MH 100W 208V ASSY	1	EA 19192519
2	0000008496	WASHER SLPA FLAT HOT DIP GALV FOR 1 INCH BOLT	4	EA 19192519

DECSSBRNPOLE	19192751	DEC SYMPHONY SQ BRN POLE
--------------	----------	--------------------------

ID	PART NUM	PART DESC	QTY	CU-REF
1	0000018688	POLE, ST LIGHT DECORATIVE SYMPHONY SQUARE BRN	1	EA 19192751
2	0000008496	WASHER SLPA FLAT HOT DIP GALV FOR 1 INCH BOLT	4	EA 19192751

DECSSBRNBRKT	19192761	DEC SYMPHONY SQ BRN BRACKET
--------------	----------	-----------------------------

ID	PART NUM	PART DESC	QTY	CU-REF
1	0000018675	ST LIGHT DEC SYMPHONY SQUARE BRN BRACKET	1	EA 19192761

DECSSBRNFIX100WMH208V	19192719	DEC SYMPHONY SQ BRN FIX 100W MH 208V
-----------------------	----------	--------------------------------------

ID	PART NUM	PART DESC	QTY	CU-REF
1	0000018680	ST LIGHT DEC SYMPHONY SQUARE BRN FIXTURE 100W MH 208V	1	EA 19192719

<b>1919-47</b>	<b>STREETLIGHTS</b>	
Sheet 21 of 37	<b>DECORATIVE MAINTENANCE STREETLIGHT</b>	
	<b>SYMPHONY SQUARE</b>	
		Rev: 08/01/20

<b>MU-ID</b>	<b>MU-REF</b>	<b>MU-DESCRIPTION</b>
SSBRN250WMH208V	19194720	SYMPHONY SQUARE BRN 250W MH 208V

<b>ID</b>	<b>CU-REF</b>	<b>CU-DESC</b>	<b>QTY</b>	<b>MU-REF</b>
A	19192520	DEC SYMPHONY SQ BRN MH 250W 208V	1	19194720
B	19287003	CLAMP COMPRESSION CU #10 TO #12	12	19194720
C	19284520	MIDGET FUSE 5 AMP 600V AC	4	19194720
D	19284505	FUSE HOLDER BREAKAWAY 1IN AND 1OUT	4	19194720
E	12080402	WIRE # 12 CU 2C W/GRD	50	19194720
F	19282004	LAMP MTL HALIDE MOGUL BASE 250W	2	19194720
G	12450411	CONN SPLIT BOLT 6 SOLID CU	1	19194720
H	19282072	CONTROLLER COMMUNICATION DECORATIVE	1	19194720

<b>CU-ID</b>	<b>CU-REF</b>	<b>CU-DESCRIPTION</b>
DECSBRNMH250W208V	19192520	DEC SYMPHONY SQ BRN MH 250W 208V

<b>ID</b>	<b>PART NUM</b>	<b>PART DESC</b>	<b>QTY</b>	<b>CU-REF</b>
1	0000018645	STREET LIGHT DEC SYMPHONY SQUARE BRN MH 250W 208V ASSY	1 EA	19192520
2	0000008496	WASHER SLPA FLAT HOT DIP GALV FOR 1 INCH BOLT	4 EA	19192520

<b>ID</b>	<b>PART NUM</b>	<b>PART DESC</b>	<b>QTY</b>	<b>CU-REF</b>
1	0000018686	ST LIGHT DEC SYMPHONY SQUARE BRN FIXTURE 250W MH 208V	1 EA	19192720

<b>ID</b>	<b>PART NUM</b>	<b>PART DESC</b>	<b>QTY</b>	<b>CU-REF</b>
1	0000018688	POLE, ST LIGHT DECORATIVE SYMPHONY SQUARE BRN	1 EA	19192751
2	0000008496	WASHER SLPA FLAT HOT DIP GALV FOR 1 INCH BOLT	4 EA	19192751

<b>ID</b>	<b>PART NUM</b>	<b>PART DESC</b>	<b>QTY</b>	<b>CU-REF</b>
1	0000018675	ST LIGHT DEC SYMPHONY SQUARE BRN BRACKET	1 EA	19192761

	<b>STREETLIGHTS</b> <b>DECORATIVE MAINTENANCE STREETLIGHT</b> <b>SYMPHONY SQUARE</b>	<b>1919-47</b>
		Sheet 22 of 37
Rev: 08/01/20		

**MU-ID MU-REF MU-DESCRIPTION**

SSBRN100WHPS240V                      19194721                      SYMPHONY SQUARE BRN 100W HPS 240V

ID	CU-REF	CU-DESC	QTY	MU-REF
A	19192521	DEC SYMPHONY SQ BRN HPS 100W 240V	1	19194721
B	19287003	CLAMP COMPRESSION CU #10 TO #12	12	19194721
C	19284520	MIDGET FUSE 5 AMP 600V AC	4	19194721
D	19284505	FUSE HOLDER BREAKAWAY 1IN AND 1OUT	4	19194721
E	12080402	WIRE # 12 CU 2C W/GRD	50	19194721
F	19282012	LAMP HPS MOGUL BASE 100W	2	19194721
G	12450411	CONN SPLIT BOLT 6 SOLID CU	1	19194721
H	19282072	CONTROLLER COMMUNICATION DECORATIVE	2	19194721

**CU-ID CU-REF CU-DESCRIPTION**

DECSSBRNHPS100W240V                      19192521                      DEC SYMPHONY SQ BRN HPS 100W 240V

ID	PART NUM	PART DESC	QTY	CU-REF
1	0000018637	STREET LIGHT DEC SYMPHONY SQUARE BRN HPS 100W 240V ASSY	1    EA	19192521
2	0000008496	WASHER SLPA FLAT HOT DIP GALV FOR 1 INCH BOLT	4    EA	19192521

DECSSBRNFIX100WHPS240V                      19192721                      DEC SYMPHONY SQ BRN FIX 100W HPS 240V

ID	PART NUM	PART DESC	QTY	CU-REF
1	0000018678	ST LIGHT DEC SYMPHONY SQUARE BROWN FIXTURE 100WHPS240V	1    EA	19192721

DECSSBRNPOLE                      19192751                      DEC SYMPHONY SQ BRN POLE

ID	PART NUM	PART DESC	QTY	CU-REF
1	0000018688	POLE, ST LIGHT DECORATIVE SYMPHONY SQUARE BRN	1    EA	19192751
2	0000008496	WASHER SLPA FLAT HOT DIP GALV FOR 1 INCH BOLT	4    EA	19192751

DECSSBRNBRKT                      19192761                      DEC SYMPHONY SQ BRN BRACKET

ID	PART NUM	PART DESC	QTY	CU-REF
1	0000018675	ST LIGHT DEC SYMPHONY SQUARE BRN BRACKET	1    EA	19192761

<b>1919-47</b>	<b>STREETLIGHTS</b> <b>DECORATIVE MAINTENANCE STREETLIGHT</b> <b>SYMPHONY SQUARE</b>	
Sheet 23 of 37		
		Rev: 08/01/20

MU-ID	MU-REF	MU-DESCRIPTION
SSBRN250WHPS240V	19194722	SYMPHONY SQUARE BRN 250W HPS 240V

ID	CU-REF	CU-DESC	QTY	MU-REF
A	19192522	DEC SYMPHONY SQ BRN HPS 250W 240V	1	19194722
B	19287003	CLAMP COMPRESSION CU #10 TO #12	12	19194722
C	19284520	MIDGET FUSE 5 AMP 600V AC	4	19194722
D	19284505	FUSE HOLDER BREAKAWAY 1IN AND 1OUT	4	19194722
E	12080402	WIRE # 12 CU 2C W/GRD	50	19194722
F	19282014	LAMP HPS MOGUL BASE 250W	2	19194722
G	12450411	CONN SPLIT BOLT 6 SOLID CU	1	19194722
H	19282072	CONTROLLER COMMUNICATION DECORATIVE	1	19194722

CU-ID	CU-REF	CU-DESCRIPTION
DECSSBRNHPS250W240V	19192522	DEC SYMPHONY SQ BRN HPS 250W 240V

ID	PART NUM	PART DESC	QTY	CU-REF
1	0000018640	STREET LIGHT DEC SYMPHONY SQUARE BRN HPS 250W 240V ASSY	1 EA	19192522
2	0000008496	WASHER SLPA FLAT HOT DIP GALV FOR 1 INCH BOLT	4 EA	19192522

CU-ID	CU-REF	CU-DESCRIPTION
DECSSBRNFIX250WHPS240V	19192722	DEC SYMPHONY SQ BRN FIX 250W HPS 240V

ID	PART NUM	PART DESC	QTY	CU-REF
1	0000018684	ST LIGHT DEC SYMPHONY SQUARE BRN FIXTURE 250W HPS 240V	1 EA	19192722

CU-ID	CU-REF	CU-DESCRIPTION
DECSSBRNPOLE	19192751	DEC SYMPHONY SQ BRN POLE

ID	PART NUM	PART DESC	QTY	CU-REF
1	0000018688	POLE, ST LIGHT DECORATIVE SYMPHONY SQUARE BRN	1 EA	19192751
2	0000008496	WASHER SLPA FLAT HOT DIP GALV FOR 1 INCH BOLT	4 EA	19192751

CU-ID	CU-REF	CU-DESCRIPTION
DECSSBRNBRKT	19192761	DEC SYMPHONY SQ BRN BRACKET

ID	PART NUM	PART DESC	QTY	CU-REF
1	0000018675	ST LIGHT DEC SYMPHONY SQUARE BRN BRACKET	1 EA	19192761



 Rev: 08/01/20	<b>STREETLIGHTS</b> DECORATIVE MAINTENANCE STREETLIGHT <b>SYMPHONY SQUARE</b>	<b>1919-47</b> Sheet 24 of 37

MU-ID	MU-REF	MU-DESCRIPTION
-------	--------	----------------

SSBRN100WMH240V	19194723	SYMPHONY SQUARE BRN 100W MH 240V
-----------------	----------	----------------------------------

ID	CU-REF	CU-DESC	QTY	MU-REF
A	19192523	DEC SYMPHONY SQ BRN MH 100W 240V	1	19194723
B	19287003	CLAMP COMPRESSION CU #10 TO #12	12	19194723
C	19284520	MIDGET FUSE 5 AMP 600V AC	4	19194723
D	19284505	FUSE HOLDER BREAKAWAY 1IN AND 1OUT	4	19194723
E	12080402	WIRE # 12 CU 2C W/GRD	50	19194723
F	19282002	LAMP MTL HALIDE MOGUL BASE 100W	2	19194723
G	12450411	CONN SPLIT BOLT 6 SOLID CU	1	19194723
H	19282072	CONTROLLER COMMUNICATION DECORATIVE	1	19194723

CU-ID	CU-REF	CU-DESCRIPTION
-------	--------	----------------

DECSSBRNMH100W240V	19192523	DEC SYMPHONY SQ BRN MH 100W 240V
--------------------	----------	----------------------------------

ID	PART NUM	PART DESC	QTY	CU-REF
1	0000018643	STREET LIGHT DEC SYMPHONY SQUARE BRN MH 100W 240V ASSY	1 EA	19192523
2	0000008496	WASHER SLPA FLAT HOT DIP GALV FOR 1 INCH BOLT	4 EA	19192523

DECSSBRNFIX100WMH240V	19192723	DEC SYMPHONY SQ BRN FIX 100W MH 240V
-----------------------	----------	--------------------------------------

ID	PART NUM	PART DESC	QTY	CU-REF
1	0000018681	ST LIGHT DEC SYMPHONY SQUARE BRN FIXTURE 100W MH 240V	1 EA	19192723

DECSSBRNPOLE	19192751	DEC SYMPHONY SQ BRN POLE
--------------	----------	--------------------------

ID	PART NUM	PART DESC	QTY	CU-REF
1	0000018688	POLE, ST LIGHT DECORATIVE SYMPHONY SQUARE BRN	1 EA	19192751
2	0000008496	WASHER SLPA FLAT HOT DIP GALV FOR 1 INCH BOLT	4 EA	19192751

DECSSBRNBRKT	19192761	DEC SYMPHONY SQ BRN BRACKET
--------------	----------	-----------------------------

ID	PART NUM	PART DESC	QTY	CU-REF
1	0000018675	ST LIGHT DEC SYMPHONY SQUARE BRN BRACKET	1 EA	19192761

<b>1919-47</b>	<b>STREETLIGHTS DECORATIVE MAINTENANCE STREETLIGHT SYMPHONY SQUARE</b>	
Sheet 25 of 37		
		Rev: 08/01/20

**MU-ID MU-REF MU-DESCRIPTION**

SSBRN250WMH240V 19194724 SYMPHONY SQUARE BRN 250W MH 240V

ID	CU-REF	CU-DESC	QTY	MU-REF
A	19192524	DEC SYMPHONY SQ BRN MH 250W 240V	1	19194724
B	19287003	CLAMP COMPRESSION CU #10 TO #12	12	19194724
C	19284520	MIDGET FUSE 5 AMP 600V AC	4	19194724
D	19284505	FUSE HOLDER BREAKAWAY 1IN AND 1OUT	4	19194724
E	12080402	WIRE # 12 CU 2C W/GRD	50	19194724
F	19282004	LAMP MTL HALIDE MOGUL BASE 250W	2	19194724
G	12450411	CONN SPLIT BOLT 6 SOLID CU	1	19194724
H	19282072	CONTROLLER COMMUNICATION DECORATIVE	1	19194724

**CU-ID CU-REF CU-DESCRIPTION**

DECSSBRNMH250W240V 19192524 DEC SYMPHONY SQ BRN MH 250W 240V

ID	PART NUM	PART DESC	QTY	CU-REF
1	0000018646	STREET LIGHT DEC SYMPHONY SQUARE BRN MH 250W 240V ASSY	1 EA	19192524
2	0000008496	WASHER SLPA FLAT HOT DIP GALV FOR 1 INCH BOLT	4 EA	19192524

DECSSBRNFIX250WMH240V 19192724 DEC SYMPHONY SQ BRN FIX 250W MH 240V

ID	PART NUM	PART DESC	QTY	CU-REF
1	0000018687	ST LIGHT DEC SYMPHONY SQUARE BRN FIXTURE 250W MH 240V	1 EA	19192724

DECSSBRNPOLE 19192751 DEC SYMPHONY SQ BRN POLE

ID	PART NUM	PART DESC	QTY	CU-REF
1	0000018688	POLE, ST LIGHT DECORATIVE SYMPHONY SQUARE BRN	1 EA	19192751
2	0000008496	WASHER SLPA FLAT HOT DIP GALV FOR 1 INCH BOLT	4 EA	19192751

DECSSBRNBRKT 19192761 DEC SYMPHONY SQ BRN BRACKET

ID	PART NUM	PART DESC	QTY	CU-REF
1	0000018675	ST LIGHT DEC SYMPHONY SQUARE BRN BRACKET	1 EA	19192761

	<b>STREETLIGHTS</b> <b>DECORATIVE MAINTENANCE STREETLIGHT</b> <b>SYMPHONY SQUARE</b>	<b>1919-47</b> Sheet 26 of 37
	Rev: 08/01/20	

MU-ID	MU-REF	MU-DESCRIPTION
SSGRN100WHPS120V	19194725	SYMPHONY SQUARE GRN 100W HPS 120V

ID	CU-REF	CU-DESC	QTY	MU-REF
A	19192525	DEC SYMPHONY SQ GRN HPS 100W 120V	1	19194725
B	19287003	CLAMP COMPRESSION CU #10 TO #12	6	19194725
C	19284520	MIDGET FUSE 5 AMP 600V AC	2	19194725
D	19284505	FUSE HOLDER BREAKAWAY 1IN AND 1OUT	2	19194725
E	12080402	WIRE # 12 CU 2C W/GRD	50	19194725
F	19282012	LAMP HPS MOGUL BASE 100W	2	19194725
G	12450411	CONN SPLIT BOLT 6 SOLID CU	1	19194725
H	19282072	CONTROLLER COMMUNICATION DECORATIVE	1	19194725

CU-ID	CU-REF	CU-DESCRIPTION
DECSSGRNHPS100W120V	19192525	DEC SYMPHONY SQ GRN HPS 100W 120V

ID	PART NUM	PART DESC	QTY	CU-REF
1	0000018647	STREET LIGHT DEC SYMHONY SQUARE GRN HPS 100W 120V ASSY	1 EA	19192525
2	0000008496	WASHER SLPA FLAT HOT DIP GALV FOR 1 INCH BOLT	4 EA	19192525

CU-ID	CU-REF	CU-DESCRIPTION
DECSSGRNFIX100WHPS120V	19192725	DEC SYMPHONY SQ GRN FIX 100W HPS 120V

ID	PART NUM	PART DESC	QTY	CU-REF
1	0000018701	ST LIGHT DEC SYMPHONY SQUARE GRN FIXTURE 100W HPS 120V	1 EA	19192725

CU-ID	CU-REF	CU-DESCRIPTION
DECSSGRNPOLE	19192752	DEC SYMPHONY SQ GRN POLE


ID	PART NUM	PART DESC	QTY	CU-REF
1	0000018989	POLE, ST LIGHT DECORATIVE SYMPHONY SQUARE GRN	1 EA	19192752
2	0000008496	WASHER SLPA FLAT HOT DIP GALV FOR 1 INCH BOLT	4 EA	19192752

CU-ID	CU-REF	CU-DESCRIPTION
DECSSGRNBRKT	19192762	DEC SYMPHONY SQ GRN BRACKET

ID	PART NUM	PART DESC	QTY	CU-REF
1	0000018689	ST LIGHT DEC SYMPHONY SQUARE GRN BRACKET	1 EA	19192762

1919-47	<b>STREETLIGHTS</b> <b>DECORATIVE MAINTENANCE STREETLIGHT</b> <b>SYMPHONY SQUARE</b>	
Sheet 27 of 37		
		Rev: 08/01/20

MU-ID	MU-REF	MU-DESCRIPTION
-------	--------	----------------

SSGRN250WHPS120V	19194726	SYMPHONY SQUARE GRN 250W HPS 120V
------------------	----------	-----------------------------------

ID	CU-REF	CU-DESC	QTY	MU-REF
A	19192526	DEC SYMPHONY SQ GRN HPS 250W 120V	1	19194726
B	19287003	CLAMP COMPRESSION CU #10 TO #12	6	19194726
C	19284520	MIDGET FUSE 5 AMP 600V AC	2	19194726
D	19284505	FUSE HOLDER BREAKAWAY 1IN AND 1OUT	2	19194726
E	12080402	WIRE # 12 CU 2C W/GRD	50	19194726
F	19282014	LAMP HPS MOGUL BASE 250W	2	19194726
G	12450411	CONN SPLIT BOLT 6 SOLID CU	1	19194726
H	19282072	CONTROLLER COMMUNICATION DECORATIVE	1	19194726

CU-ID	CU-REF	CU-DESCRIPTION
-------	--------	----------------

DECSSGRNHPS250W120V	19192526	DEC SYMPHONY SQ GRN HPS 250W 120V
---------------------	----------	-----------------------------------

ID	PART NUM	PART DESC	QTY	CU-REF
1	0000018650	STREET LIGHT DEC SYMPHONY SQUARE GRN HPS 250W 120V ASSY	1	EA 19192526
2	0000008496	WASHER SLPA FLAT HOT DIP GALV FOR 1 INCH BOLT	4	EA 19192526

DECSSGRNFIX250WHPS120V	19192726	DEC SYMPHONY SQ GRN FIX 250W HPS 120V
------------------------	----------	---------------------------------------

ID	PART NUM	PART DESC	QTY	CU-REF
1	0000018695	ST LIGHT DEC SYMPHONY SQUARE GRN FIXTURE 250W HPS 120V	1	EA 19192726


DECSSGRNPOLE	19192752	DEC SYMPHONY SQ GRN POLE
--------------	----------	--------------------------

ID	PART NUM	PART DESC	QTY	CU-REF
1	0000018989	POLE, ST LIGHT DECORATIVE SYMPHONY SQUARE GRN	1	EA 19192752
2	0000008496	WASHER SLPA FLAT HOT DIP GALV FOR 1 INCH BOLT	4	EA 19192752

DECSSGRNBRKT	19192762	DEC SYMPHONY SQ GRN BRACKET
--------------	----------	-----------------------------

ID	PART NUM	PART DESC	QTY	CU-REF
1	0000018689	ST LIGHT DEC SYMPHONY SQUARE GRN BRACKET	1	EA 19192762



<b>1919-47</b>	<b>STREETLIGHTS</b>	
Sheet 29 of 37	<b>DECORATIVE MAINTENANCE STREETLIGHT</b>	
	<b>SYMPHONY SQUARE</b>	
		Rev: 08/01/20

**MU-ID    MU-REF    MU-DESCRIPTION**

SSGRN250WMH120V    19194728    SYMPHONY SQUARE GRN 250W MH 120V

ID	CU-REF	CU-DESC	QTY	MU-REF
A	19192528	DEC SYMPHONY SQ GRN MH 250W 120V	1	19194728
B	19287003	CLAMP COMPRESSION CU #10 TO #12	6	19194728
C	19284520	MIDGET FUSE 5 AMP 600V AC	2	19194728
D	19284505	FUSE HOLDER BREAKAWAY 1IN AND 1OUT	2	19194728
E	12080402	WIRE # 12 CU 2C W/GRD	50	19194728
F	19282004	LAMP MTL HALIDE MOGUL BASE 250W	2	19194728
G	12450411	CONN SPLIT BOLT 6 SOLID CU	1	19194728
H	19282072	CONTROLLER COMMUNICATION DECORATIVE	1	19194728

**CU-ID    CU-REF    CU-DESCRIPTION**

DECSSGRNMH250W120V    19192528    DEC SYMPHONY SQ GRN MH 250W 120V

ID	PART NUM	PART DESC	QTY	CU-REF
1	0000018656	STREET LIGHT DEC SYMPHONY SQUARE GRN MH 250W 120V ASSY	1    EA	19192528
2	0000008496	WASHER SLPA FLAT HOT DIP GALV FOR 1 INCH BOLT	4    EA	19192528

DECSSGRNFX250WMH120V    19192728    DEC SYMPHONY SQ GRN FIX 250W MH 120V

ID	PART NUM	PART DESC	QTY	CU-REF
1	0000018692	ST LIGHT DEC SYMPHONY SQUARE GRN FIXTURE 250W MH 120V	1    EA	19192728

DECSSGRNPOLE    19192752    DEC SYMPHONY SQ GRN POLE

ID	PART NUM	PART DESC	QTY	CU-REF
1	0000018989	POLE, ST LIGHT DECORATIVE SYMPHONY SQUARE GRN	1    EA	19192752
2	0000008496	WASHER SLPA FLAT HOT DIP GALV FOR 1 INCH BOLT	4    EA	19192752

DECSSGRNBRKT    19192762    DEC SYMPHONY SQ GRN BRACKET

ID	PART NUM	PART DESC	QTY	CU-REF
1	0000018689	ST LIGHT DEC SYMPHONY SQUARE GRN BRACKET	1    EA	19192762

	<b>STREETLIGHTS</b> <b>DECORATIVE MAINTENANCE STREETLIGHT</b> <b>SYMPHONY SQUARE</b>	<b>1919-47</b>
		Sheet 30 of 37
Rev: 08/01/20		

**MU-ID MU-REF MU-DESCRIPTION**

SSGRN100WHPS208V 19194729 SYMPHONY SQUARE GRN 100W HPS 208V

ID	CU-REF	CU-DESC	QTY	MU-REF
A	19192529	DEC SYMPHONY SQ GRN HPS 100W 208V	1	19194729
B	19287003	CLAMP COMPRESSION CU #10 TO #12	12	19194729
C	19284520	MIDGET FUSE 5 AMP 600V AC	4	19194729
D	19284505	FUSE HOLDER BREAKAWAY 1IN AND 1OUT	4	19194729
E	12080402	WIRE # 12 CU 2C W/GRD	50	19194729
F	19282012	LAMP HPS MOGUL BASE 100W	2	19194729
G	12450411	CONN SPLIT BOLT 6 SOLID CU	1	19194729
H	19282072	CONTROLLER COMMUNICATION DECORATIVE	1	19194729

**CU-ID CU-REF CU-DESCRIPTION**

DECSSGRNHPS100W208V 19192529 DEC SYMPHONY SQ GRN HPS 100W 208V

ID	PART NUM	PART DESC	QTY	CU-REF
1	0000018648	STREET LIGHT DEC SYMPHONY SQUARE GRN HPS 100W 208V ASSY	1 EA	19192529
2	0000008496	WASHER SLPA FLAT HOT DIP GALV FOR 1 INCH BOLT	4 EA	19192529

DECSSGRNFIX100WHPS208V 19192729 DEC SYMPHONY SQ GRN FIX 100W HPS 208V

ID	PART NUM	PART DESC	QTY	CU-REF
1	0000018700	ST LIGHT DEC SYMPHONY SQUARE GRN FIXTURE 100W HPS 208V	1 EA	19192729

DECSSGRNPOLE 19192752 DEC SYMPHONY SQ GRN POLE

ID	PART NUM	PART DESC	QTY	CU-REF
1	0000018989	POLE, ST LIGHT DECORATIVE SYMPHONY SQUARE GRN	1 EA	19192752
2	0000008496	WASHER SLPA FLAT HOT DIP GALV FOR 1 INCH BOLT	4 EA	19192752

DECSSGRNBRKT 19192762 DEC SYMPHONY SQ GRN BRACKET

ID	PART NUM	PART DESC	QTY	CU-REF
1	0000018689	ST LIGHT DEC SYMPHONY SQUARE GRN BRACKET	1 EA	19192762

1919-47	STREETLIGHTS DECORATIVE MAINTENANCE STREETLIGHT SYMPHONY SQUARE	
Sheet 31 of 37		
		Rev: 08/01/20

**MU-ID MU-REF MU-DESCRIPTION**

SSGRN250WHPS208V 19194730 SYMPHONY SQUARE GRN 250W HPS 208V

ID	CU-REF	CU-DESC	QTY	MU-REF
A	19192530	DEC SYMPHONY SQ GRN HPS 250W 208V	1	19194730
B	19287003	CLAMP COMPRESSION CU #10 TO #12	12	19194730
C	19284520	MIDGET FUSE 5 AMP 600V AC	4	19194730
D	19284505	FUSE HOLDER BREAKAWAY 1IN AND 1OUT	4	19194730
E	12080402	WIRE # 12 CU 2C W/GRD	50	19194730
F	19282014	LAMP HPS MOGUL BASE 250W	2	19194730
G	12450411	CONN SPLIT BOLT 6 SOLID CU	1	19194730
H	19282072	CONTROLLER COMMUNICATION DECORATIVE	1	19194730

**CU-ID CU-REF CU-DESCRIPTION**

DECSSGRNHPS250W208V 19192530 DEC SYMPHONY SQ GRN HPS 250W 208V

ID	PART NUM	PART DESC	QTY	CU-REF
1	0000018651	STREET LIGHT DEC SYMPHONY SQUARE GRN HPS 250W 208V ASSY	1 EA	19192530
2	0000008496	WASHER SLPA FLAT HOT DIP GALV FOR 1 INCH BOLT	4 EA	19192530

DECSSGRNFX250WHPS208V 19192730 DEC SYMPHONY SQ GRN FIX 250W HPS 208V

ID	PART NUM	PART DESC	QTY	CU-REF
1	0000018694	ST LIGHT DEC SYMPHONY SQUARE GRN FIXTURE 250W HPS 208V	1 EA	19192730

DECSSGRNPOLE 19192752 DEC SYMPHONY SQ GRN POLE

ID	PART NUM	PART DESC	QTY	CU-REF
1	0000018989	POLE, ST LIGHT DECORATIVE SYMPHONY SQUARE GRN	1 EA	19192752
2	0000008496	WASHER SLPA FLAT HOT DIP GALV FOR 1 INCH BOLT	4 EA	19192752

DECSSGRNBRKT 19192762 DEC SYMPHONY SQ GRN BRACKET

ID	PART NUM	PART DESC	QTY	CU-REF
1	0000018689	ST LIGHT DEC SYMPHONY SQUARE GRN BRACKET	1 EA	19192762



 Rev: 08/01/20	<b>STREETLIGHTS</b> <b>DECORATIVE MAINTENANCE STREETLIGHT</b> <b>SYMPHONY SQUARE</b>	<b>1919-47</b> Sheet 32 of 37

MU-ID	MU-REF	MU-DESCRIPTION
-------	--------	----------------

SSGRN100WMH208V	19194731	SYMPHONY SQUARE GRN 100W MH 208V
-----------------	----------	----------------------------------

ID	CU-REF	CU-DESC	QTY	MU-REF
A	19192531	DEC SYMPHONY SQ GRN MH 100W 208V	1	19194731
B	19287003	CLAMP COMPRESSION CU #10 TO #12	12	19194731
C	19284520	MIDGET FUSE 5 AMP 600V AC	4	19194731
D	19284505	FUSE HOLDER BREAKAWAY 1IN AND 1OUT	4	19194731
E	12080402	WIRE # 12 CU 2C W/GRD	50	19194731
F	19282002	LAMP MTL HALIDE MOGUL BASE 100W	2	19194731
G	12450411	CONN SPLIT BOLT 6 SOLID CU	1	19194731
H	19282072	CONTROLLER COMMUNICATION DECORATIVE	1	19194731

CU-ID	CU-REF	CU-DESCRIPTION
-------	--------	----------------

DECSSGRNMH100W208V	19192531	DEC SYMPHONY SQ GRN MH 100W 208V
--------------------	----------	----------------------------------

ID	PART NUM	PART DESC	QTY	CU-REF
1	0000018654	STREET LIGHT DEC SYMPHONY SQUARE GRN MH 100W 208V ASSY	1 EA	19192531
2	0000008496	WASHER SLPA FLAT HOT DIP GALV FOR 1 INCH BOLT	4 EA	19192531

DECSSGRNFIX100WMH208V	19192731	DEC SYMPHONY SQ GRN FIX 100W MH 208V
-----------------------	----------	--------------------------------------

ID	PART NUM	PART DESC	QTY	CU-REF
1	0000018697	ST LIGHT DEC SYMPHONY SQUARE GRN FIXTURE 100W MH 208V	1 EA	19192731

DECSSGRNPOLE	19192752	DEC SYMPHONY SQ GRN POLE
--------------	----------	--------------------------

ID	PART NUM	PART DESC	QTY	CU-REF
1	0000018989	POLE, ST LIGHT DECORATIVE SYMPHONY SQUARE GRN	1 EA	19192752
2	0000008496	WASHER SLPA FLAT HOT DIP GALV FOR 1 INCH BOLT	4 EA	19192752

DECSSGRNBRKT	19192762	DEC SYMPHONY SQ GRN BRACKET
--------------	----------	-----------------------------

ID	PART NUM	PART DESC	QTY	CU-REF
1	0000018689	ST LIGHT DEC SYMPHONY SQUARE GRN BRACKET	1 EA	19192762

<b>1919-47</b>	<b>STREETLIGHTS</b>	
Sheet 33 of 37	<b>DECORATIVE MAINTENANCE STREETLIGHT</b>	
	<b>SYMPHONY SQUARE</b>	
		Rev: 08/01/20

<b>MU-ID</b>	<b>MU-REF</b>	<b>MU-DESCRIPTION</b>
SSGRN250WMH208V	19194732	SYMPHONY SQUARE GRN 250W MH 208V

<b>ID</b>	<b>CU-REF</b>	<b>CU-DESC</b>	<b>QTY</b>	<b>MU-REF</b>
A	19192532	DEC SYMPHONY SQ GRN MH 250W 208V	1	19194732
B	19287003	CLAMP COMPRESSION CU #10 TO #12	12	19194732
C	19284520	MIDGET FUSE 5 AMP 600V AC	4	19194732
D	19284505	FUSE HOLDER BREAKAWAY 1IN AND 1OUT	4	19194732
E	12080402	WIRE # 12 CU 2C W/GRD	50	19194732
F	19282004	LAMP MTL HALIDE MOGUL BASE 250W	2	19194732
G	12450411	CONN SPLIT BOLT 6 SOLID CU	1	19194732
H	19282072	CONTROLLER COMMUNICATION DECORATIVE	1	19194732

<b>CU-ID</b>	<b>CU-REF</b>	<b>CU-DESCRIPTION</b>
DECSSGRNMH250W208V	19192532	DEC SYMPHONY SQ GRN MH 250W 208V

<b>ID</b>	<b>PART NUM</b>	<b>PART DESC</b>	<b>QTY</b>	<b>CU-REF</b>
1	0000018657	STREET LIGHT DEC SYMPHONY SQUARE GRN MH 250W 208V ASSY	1 EA	19192532
2	0000008496	WASHER SLPA FLAT HOT DIP GALV FOR 1 INCH BOLT	4 EA	19192532

<b>ID</b>	<b>PART NUM</b>	<b>PART DESC</b>	<b>QTY</b>	<b>CU-REF</b>
1	0000018691	ST LIGHT DEC SYMPHONY SQUARE GRN FIXTURE 250W MH 208V	1 EA	19192732

<b>ID</b>	<b>PART NUM</b>	<b>PART DESC</b>	<b>QTY</b>	<b>CU-REF</b>
1	0000018989	POLE, ST LIGHT DECORATIVE SYMPHONY SQUARE GRN	1 EA	19192752
2	0000008496	WASHER SLPA FLAT HOT DIP GALV FOR 1 INCH BOLT	4 EA	19192752

<b>ID</b>	<b>PART NUM</b>	<b>PART DESC</b>	<b>QTY</b>	<b>CU-REF</b>
1	0000018689	ST LIGHT DEC SYMPHONY SQUARE GRN BRACKET	1 EA	19192762

 Rev: 08/01/20	<b>STREETLIGHTS</b> <b>DECORATIVE MAINTENANCE STREETLIGHT</b> <b>SYMPHONY SQUARE</b>	<b>1919-47</b> Sheet 34 of 37

<b>MU-ID</b>	<b>MU-REF</b>	<b>MU-DESCRIPTION</b>
--------------	---------------	-----------------------

SSGRN100WHPS240V	19194733	SYMPHONY SQUARE GRN 100W HPS 240V
------------------	----------	-----------------------------------

ID	CU-REF	CU-DESC	QTY	MU-REF
A	19192533	DEC SYMPHONY SQ GRN HPS 100W 240V	1	19194733
B	19287003	CLAMP COMPRESSION CU #10 TO #12	12	19194733
C	19284520	MIDGET FUSE 5 AMP 600V AC	4	19194733
D	19284505	FUSE HOLDER BREAKAWAY 1IN AND 1OUT	4	19194733
E	12080402	WIRE # 12 CU 2C W/GRD	50	19194733
F	19282012	LAMP HPS MOGUL BASE 100W	2	19194733
G	12450411	CONN SPLIT BOLT 6 SOLID CU	1	19194733
H	19282072	CONTROLLER COMMUNICATION DECORATIVE	1	19194733

<b>CU-ID</b>	<b>CU-REF</b>	<b>CU-DESCRIPTION</b>
--------------	---------------	-----------------------

DECSSGRNHPS100W240V	19192533	DEC SYMPHONY SQ GRN HPS 100W 240V
---------------------	----------	-----------------------------------

ID	PART NUM	PART DESC	QTY	CU-REF
1	0000018649	STREET LIGHT DEC SYMPHONY SQUARE GRN HPS 100W 240V ASSY	1 EA	19192533
2	0000008496	WASHER SLPA FLAT HOT DIP GALV FOR 1 INCH BOLT	4 EA	19192533

DECSSGRNFIX100WHPS240V	19192733	DEC SYMPHONY SQ GRN FIX 100W HPS 240V
------------------------	----------	---------------------------------------

ID	PART NUM	PART DESC	QTY	CU-REF
1	0000018699	ST LIGHT DEC SYMPHONY SQUARE GRN FIXTURE 100W HPS 240V	1 EA	19192733

DECSSGRNPOLE	19192752	DEC SYMPHONY SQ GRN POLE
--------------	----------	--------------------------

ID	PART NUM	PART DESC	QTY	CU-REF
1	0000018989	POLE, ST LIGHT DECORATIVE SYMPHONY SQUARE GRN	1 EA	19192752
2	0000008496	WASHER SLPA FLAT HOT DIP GALV FOR 1 INCH BOLT	4 EA	19192752

DECSSGRNBRKT	19192762	DEC SYMPHONY SQ GRN BRACKET
--------------	----------	-----------------------------

ID	PART NUM	PART DESC	QTY	CU-REF
1	0000018689	ST LIGHT DEC SYMPHONY SQUARE GRN BRACKET	1 EA	19192762

<b>1919-47</b>	<b>STREETLIGHTS</b> <b>DECORATIVE MAINTENANCE STREETLIGHT</b> <b>SYMPHONY SQUARE</b>	
Sheet 35 of 37		
		Rev: 08/01/20

<b>MU-ID</b>	<b>MU-REF</b>	<b>MU-DESCRIPTION</b>
SSGRN250WHPS240V	19194734	SYMPHONY SQUARE GRN 250W HPS 240V

<b>ID</b>	<b>CU-REF</b>	<b>CU-DESC</b>	<b>QTY</b>	<b>MU-REF</b>
A	19192534	DEC SYMPHONY SQ GRN HPS 250W 240V	1	19194734
B	19287003	CLAMP COMPRESSION CU #10 TO #12	12	19194734
C	19284520	MIDGET FUSE 5 AMP 600V AC	4	19194734
D	19284505	FUSE HOLDER BREAKAWAY 1IN AND 1OUT	4	19194734
E	12080402	WIRE # 12 CU 2C W/GRD	50	19194734
F	19282014	LAMP HPS MOGUL BASE 250W	2	19194734
G	12450411	CONN SPLIT BOLT 6 SOLID CU	1	19194734
H	19282072	CONTROLLER COMMUNICATION DECORATIVE	1	19194734

<b>CU-ID</b>	<b>CU-REF</b>	<b>CU-DESCRIPTION</b>
DECSSGRNHPS250W240V	19192534	DEC SYMPHONY SQ GRN HPS 250W 240V

<b>ID</b>	<b>PART NUM</b>	<b>PART DESC</b>	<b>QTY</b>	<b>CU-REF</b>
1	0000018652	STREET LIGHT DEC SYMPHONY SQUARE GRN HPS 250W 240V ASSY	1 EA	19192534
2	0000008496	WASHER SLPA FLAT HOT DIP GALV FOR 1 INCH BOLT	4 EA	19192534

<b>ID</b>	<b>PART NUM</b>	<b>PART DESC</b>	<b>QTY</b>	<b>CU-REF</b>
1	0000018693	ST LIGHT DEC SYMPHONY SQUARE GRN FIXTURE 250W HPS 240V	1 EA	19192734

<b>ID</b>	<b>PART NUM</b>	<b>PART DESC</b>	<b>QTY</b>	<b>CU-REF</b>
1	0000018989	POLE, ST LIGHT DECORATIVE SYMPHONY SQUARE GRN	1 EA	19192752
2	0000008496	WASHER SLPA FLAT HOT DIP GALV FOR 1 INCH BOLT	4 EA	19192752

<b>ID</b>	<b>PART NUM</b>	<b>PART DESC</b>	<b>QTY</b>	<b>CU-REF</b>
1	0000018689	ST LIGHT DEC SYMPHONY SQUARE GRN BRACKET	1 EA	19192762

 Rev: 08/01/20	<b>STREETLIGHTS</b> <b>DECORATIVE MAINTENANCE STREETLIGHT</b> <b>SYMPHONY SQUARE</b>	<b>1919-47</b> Sheet 36 of 37

**MU-ID**
**MU-REF**
**MU-DESCRIPTION**

SSGRN100WMH240V

19194735

SYMPHONY SQUARE GRN 100W MH 240V

ID	CU-REF	CU-DESC	QTY	MU-REF
A	19192535	DEC SYMPHONY SQ GRN MH 100W 240V	1	19194735
B	19287003	CLAMP COMPRESSION CU #10 TO #12	12	19194735
C	19284520	MIDGET FUSE 5 AMP 600V AC	4	19194735
D	19284505	FUSE HOLDER BREAKAWAY 1IN AND 1OUT	4	19194735
E	12080402	WIRE # 12 CU 2C W/GRD	50	19194735
F	19282002	LAMP MTL HALIDE MOGUL BASE 100W	2	19194735
G	12450411	CONN SPLIT BOLT 6 SOLID CU	1	19194735
H	19282072	CONTROLLER COMMUNICATION DECORATIVE	1	19194735

**CU-ID**
**CU-REF**
**CU-DESCRIPTION**

DECSSGRNMH100W240V

19192535

DEC SYMPHONY SQ GRN MH 100W 240V

ID	PART NUM	PART DESC	QTY	CU-REF
1	0000018655	STREET LIGHT DEC SYMPHONY SQUARE GRN MH 100W 240V ASSY	1 EA	19192535
2	0000008496	WASHER SLPA FLAT HOT DIP GALV FOR 1 INCH BOLT	4 EA	19192535

DECSSGRNFIX100WMH240V

19192735

DEC SYMPHONY SQ GRN FIX 100W MH 240V

ID	PART NUM	PART DESC	QTY	CU-REF
1	0000018696	ST LIGHT DEC SYMPHONY SQUARE GRN FIXTURE 100W MH 240V	1 EA	19192735

DECSSGRNPOLE

19192752

DEC SYMPHONY SQ GRN POLE

ID	PART NUM	PART DESC	QTY	CU-REF
1	0000018989	POLE, ST LIGHT DECORATIVE SYMPHONY SQUARE GRN	1 EA	19192752
2	0000008496	WASHER SLPA FLAT HOT DIP GALV FOR 1 INCH BOLT	4 EA	19192752

DECSSGRNBRKT

19192762

DEC SYMPHONY SQ GRN BRACKET

ID	PART NUM	PART DESC	QTY	CU-REF
1	0000018689	ST LIGHT DEC SYMPHONY SQUARE GRN BRACKET	1 EA	19192762

<b>1919-47</b>	<b>STREETLIGHTS</b>	
Sheet 37 of 37	<b>DECORATIVE MAINTENANCE STREETLIGHT</b>	
	<b>SYMPHONY SQUARE</b>	Rev: 08/01/20

<b>MU-ID</b>	<b>MU-REF</b>	<b>MU-DESCRIPTION</b>
SSGRN250WMH240V	19194736	SYMPHONY SQUARE GRN 250W MH 240V

<b>ID</b>	<b>CU-REF</b>	<b>CU-DESC</b>	<b>QTY</b>	<b>MU-REF</b>
A	19192536	DEC SYMPHONY SQ GRN MH 250W 240V	1	19194736
B	19287003	CLAMP COMPRESSION CU #10 TO #12	12	19194736
C	19284520	MIDGET FUSE 5 AMP 600V AC	4	19194736
D	19284505	FUSE HOLDER BREAKAWAY 1IN AND 1OUT	4	19194736
E	12080402	WIRE # 12 CU 2C W/GRD	50	19194736
F	19282004	LAMP MTL HALIDE MOGUL BASE 250W	2	19194736
G	12450411	CONN SPLIT BOLT 6 SOLID CU	1	19194736
H	19282072	CONTROLLER COMMUNICATION DECORATIVE	1	19194736

<b>CU-ID</b>	<b>CU-REF</b>	<b>CU-DESCRIPTION</b>
DECSSGRNMH250W240V	19192536	DEC SYMPHONY SQ GRN MH 250W 240V

<b>ID</b>	<b>PART NUM</b>	<b>PART DESC</b>	<b>QTY</b>	<b>CU-REF</b>
1	0000018658	STREET LIGHT DEC SYMPHONY SQUARE GRN MH 250W 240V ASSY	1 EA	19192536
2	0000008496	WASHER SLPA FLAT HOT DIP GALV FOR 1 INCH BOLT	4 EA	19192536

<b>ID</b>	<b>PART NUM</b>	<b>PART DESC</b>	<b>QTY</b>	<b>CU-REF</b>
1	0000018690	ST LIGHT DEC SYMPHONY SQUARE GRN FIXTURE 250W MH 240V	1 EA	19192736

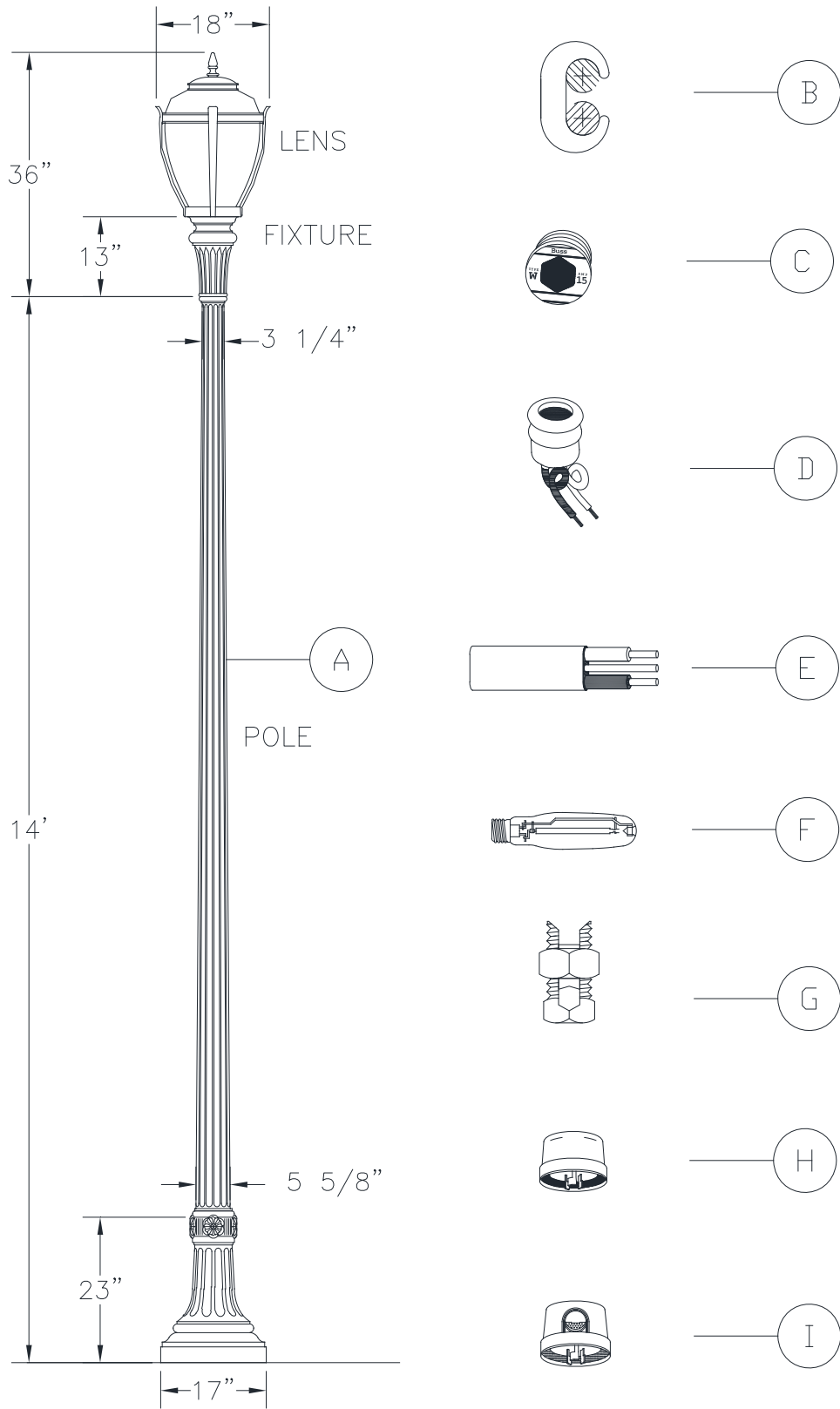
<b>ID</b>	<b>PART NUM</b>	<b>PART DESC</b>	<b>QTY</b>	<b>CU-REF</b>
1	0000018989	POLE, ST LIGHT DECORATIVE SYMPHONY SQUARE GRN	1 EA	19192752
2	0000008496	WASHER SLPA FLAT HOT DIP GALV FOR 1 INCH BOLT	4 EA	19192752

<b>ID</b>	<b>PART NUM</b>	<b>PART DESC</b>	<b>QTY</b>	<b>CU-REF</b>
1	0000018689	ST LIGHT DEC SYMPHONY SQUARE GRN BRACKET	1 EA	19192762

	<b>STREETLIGHTS</b> DECORATIVE MAINTENANCE STREETLIGHT <b>SYMPHONY SQUARE</b>	<b>1919-47</b>
		Sheet 37 of 37
Rev: 08/01/20		

1919-48	STREETLIGHTS	
Sheet 1 of 25	DECORATIVE MAINTENANCE STREETLIGHT	
	TOWN LAKE	Rev: 08/01/20





	<b>STREETLIGHTS</b> <b>DECORATIVE MAINTENANCE STREETLIGHT</b>		<b>1919-48</b>
	<b>TOWN LAKE</b>		Sheet 2 of 25
Rev: 08/01/20			

**MU**

**MU-ID                                      MU-REF                                      MU-DESCRIPTION**

TLBLK100WHPS120V                      19194801                      TOWN LAKE BLK 100W HPS 120V

ID	CU-REF	CU-DESC	QTY	MU-REF
A	19193001	DEC TOWN LAKE BLK HPS 100W 120V	1	19194801
B	19287003	CLAMP COMPRESSION CU #10 TO #12	3	19194801
C	19284520	MIDGET FUSE 5 AMP 600V AC	1	19194801
D	19284505	FUSE HOLDER BREAKAWAY 1IN AND 1OUT	1	19194801
E	12080402	WIRE # 12 CU 2C W/GRD	20	19194801
F	19282012	LAMP HPS MOGUL BASE 100W	1	19194801
G	12450411	CONN SPLIT BOLT 6 SOLID CU	1	19194801
H	19282072	CONTROLLER COMMUNICATION DECORATIVE	1	19194801

**CU-ID                                      CU-REF                                      CU-DESCRIPTION**

DECTLBLKHPS100W120V                      19193001                      DEC TOWN LAKE BLK HPS 100W 120V

ID	PART NUM	PART DESC	QTY	CU-REF
1	0000017906	ST LIGHT DEC TOWN LAKE 100W HPS 120V BLACK	1 EA	19193001
2	0000008496	WASHER SLPA FLAT HOT DIP GALV FOR 1 INCH BOLT	4 EA	19193001

DECTLBLKFIX100WLEDEQUIV                      19193201                      DEC TOWN LAKE BLK FIX 100W LED EQUIV

ID	PART NUM	PART DESC	QTY	CU-REF
1	0000023627	LUMINAIRE DECORATIVE LED POST TOP BLACK, TOWN LAKE LED	1 EA	19193201

DECTLBLKPOLE                                      19193250                      DEC TOWN LAKE BLK POLE

ID	PART NUM	PART DESC	QTY	CU-REF
1	0000023633	POLE DECORATIVE FOR LED POST TOP BLACK, TOWN LAKE LED	1 EA	19193250
2	0000008496	WASHER SLPA FLAT HOT DIP GALV FOR 1 INCH BOLT	4 EA	19193250

**MU-ID                                      MU-REF                                      MU-DESCRIPTION**

TLBLK250WHPS120V                      19194802                      TOWN LAKE BLK 250W HPS 120V

ID	CU-REF	CU-DESC	QTY	MU-REF
A	19193002	DEC TOWN LAKE BLK HPS 250W 120V	1	19194802
B	19287003	CLAMP COMPRESSION CU #10 TO #12	3	19194802
C	19284520	MIDGET FUSE 5 AMP 600V AC	1	19194802
D	19284505	FUSE HOLDER BREAKAWAY 1IN AND 1OUT	1	19194802
E	12080402	WIRE # 12 CU 2C W/GRD	20	19194802
F	19282014	LAMP HPS MOGUL BASE 250W	1	19194802
G	12450411	CONN SPLIT BOLT 6 SOLID CU	1	19194802
H	19282072	CONTROLLER COMMUNICATION DECORATIVE	1	19194802



 Rev: 08/01/20	<b>STREETLIGHTS</b> DECORATIVE MAINTENANCE STREETLIGHT <b>TOWN LAKE</b>	<b>1919-48</b> Sheet 4 of 25

**MU-ID MU-REF MU-DESCRIPTION**

TLBLK250WMH120V 19194804 TOWN LAKE BLK 250W MH 120V

ID	CU-REF	CU-DESC	QTY	MU-REF
A	19193004	DEC TOWN LAKE BLK MH 250W 120V	1	19194804
B	19287003	CLAMP COMPRESSION CU #10 TO #12	3	19194804
C	19284520	MIDGET FUSE 5 AMP 600V AC	1	19194804
D	19284505	FUSE HOLDER BREAKAWAY 1IN AND 1OUT	1	19194804
E	12080402	WIRE # 12 CU 2C W/GRD	20	19194804
F	19282004	LAMP MTL HALIDE MOGUL BASE 250W	1	19194804
G	12450411	CONN SPLIT BOLT 6 SOLID CU	1	19194804
H	19282072	CONTROLLER COMMUNICATION DECORATIVE	1	19194804

**CU-ID CU-REF CU-DESCRIPTION**

DECTLBLKMH250W120V 19193004 DEC TOWN LAKE BLK MH 250W 120V

ID	PART NUM	PART DESC	QTY	CU-REF
1	0000017909	ST LIGHT DECORATIVE TOWN LAKE 250W MH 120V	1 EA	19193004
2	0000008496	WASHER SLPA FLAT HOT DIP GALV FOR 1 INCH BOLT	4 EA	19193004

ID	PART NUM	PART DESC	QTY	CU-REF
----	----------	-----------	-----	--------

DECTLBLKPOLE 19193250 DEC TOWN LAKE BLK POLE

ID	PART NUM	PART DESC	QTY	CU-REF
1	0000023633	POLE DECORATIVE FOR LED POST TOP BLACK, TOWN LAKE LED	1 EA	19193250
2	0000008496	WASHER SLPA FLAT HOT DIP GALV FOR 1 INCH BOLT	4 EA	19193250

**MU-ID MU-REF MU-DESCRIPTION**

TLBLK100WHPS208V 19194805 TOWN LAKE BLK 100W HPS 208V

ID	CU-REF	CU-DESC	QTY	MU-REF
A	19193005	DEC TOWN LAKE BLK HPS 100W 208V	1	19194805
B	19287003	CLAMP COMPRESSION CU #10 TO #12	6	19194805
C	19284520	MIDGET FUSE 5 AMP 600V AC	2	19194805
D	19284505	FUSE HOLDER BREAKAWAY 1IN AND 1OUT	2	19194805
E	12080402	WIRE # 12 CU 2C W/GRD	20	19194805
F	19282012	LAMP HPS MOGUL BASE 100W	1	19194805
G	12450411	CONN SPLIT BOLT 6 SOLID CU	1	19194805
H	19282072	CONTROLLER COMMUNICATION DECORATIVE	1	19194805

**CU-ID CU-REF CU-DESCRIPTION**

<b>1919-48</b>	<b>STREETLIGHTS</b>	
Sheet 5 of 25	<b>DECORATIVE MAINTENANCE STREETLIGHT</b>	
	<b>TOWN LAKE</b>	
		Rev: 08/01/20

DECTLBLKHPS100W208V                      19193005                      DEC TOWN LAKE BLK HPS 100W 208V

ID	PART NUM	PART DESC	QTY	CU-REF
1	0000018716	ST LIGHT DEC TOWN LAKE BLK HPS 100W 208V ASSY	1 EA	19193005
2	0000008496	WASHER SLPA FLAT HOT DIP GALV FOR 1 INCH BOLT	4 EA	19193005

ID	PART NUM	PART DESC	QTY	CU-REF
----	----------	-----------	-----	--------

DECTLBLKPOLE                      19193250                      DEC TOWN LAKE BLK POLE

ID	PART NUM	PART DESC	QTY	CU-REF
1	0000023633	POLE DECORATIVE FOR LED POST TOP BLACK, TOWN LAKE LED	1 EA	19193250
2	0000008496	WASHER SLPA FLAT HOT DIP GALV FOR 1 INCH BOLT	4 EA	19193250

**MU-ID    MU-REF    MU-DESCRIPTION**

TLBLK250WHPS208V                      19194806                      TOWN LAKE BLK 250W HPS 208V

ID	CU-REF	CU-DESC	QTY	MU-REF
A	19193006	DEC TOWN LAKE BLK HPS 250W 208V	1	19194806
B	19287003	CLAMP COMPRESSION CU #10 TO #12	6	19194806
C	19284520	MIDGET FUSE 5 AMP 600V AC	2	19194806
D	19284505	FUSE HOLDER BREAKAWAY 1IN AND 1OUT	2	19194806
E	12080402	WIRE # 12 CU 2C W/GRD	20	19194806
F	19282014	LAMP HPS MOGUL BASE 250W	1	19194806
G	12450411	CONN SPLIT BOLT 6 SOLID CU	1	19194806
H	19282072	CONTROLLER COMMUNICATION DECORATIVE	1	19194806

**CU-ID    CU-REF    CU-DESCRIPTION**

DECTLBLKHPS250W208V                      19193006                      DEC TOWN LAKE BLK HPS 250W 208V

ID	PART NUM	PART DESC	QTY	CU-REF
1	0000018719	ST LIGHT DEC TOWN LAKE BLK HPS 250W 208V ASSY	1 EA	19193006
2	0000008496	WASHER SLPA FLAT HOT DIP GALV FOR 1 INCH BOLT	4 EA	19193006

DECTLBLKFIX250WHPS208V                      19193206                      DEC TOWN LAKE BLK FIX 250W HPS 208V

ID	PART NUM	PART DESC	QTY	CU-REF
1	0000018777	ST LIGHT DEC TOWN LAKE BLK FIXTURE 250W HPS 208V	1 EA	19193206

DECTLBLKPOLE                      19193250                      DEC TOWN LAKE BLK POLE

ID	PART NUM	PART DESC	QTY	CU-REF
1	0000023633	POLE DECORATIVE FOR LED POST TOP BLACK, TOWN LAKE LED	1 EA	19193250
2	0000008496	WASHER SLPA FLAT HOT DIP GALV FOR 1 INCH BOLT	4 EA	19193250

	<b>STREETLIGHTS</b> <b>DECORATIVE MAINTENANCE STREETLIGHT</b>	<b>1919-48</b>
	<b>TOWN LAKE</b>	Sheet 6 of 25
Rev: 08/01/20		

**MU-ID                                      MU-REF                                      MU-DESCRIPTION**

TLBLK100WMH208V                                      19194807                                      TOWN LAKE BLK 100W MH 208V

ID	CU-REF	CU-DESC	QTY	MU-REF
A	19193007	DEC TOWN LAKE BLK MH 100W 208V	1	19194807
B	19287003	CLAMP COMPRESSION CU #10 TO #12	6	19194807
C	19284520	MIDGET FUSE 5 AMP 600V AC	2	19194807
D	19284505	FUSE HOLDER BREAKAWAY 1IN AND 1OUT	2	19194807
E	12080402	WIRE # 12 CU 2C W/GRD	20	19194807
F	19282002	LAMP MTL HALIDE MOGUL BASE 100W	1	19194807
G	12450411	CONN SPLIT BOLT 6 SOLID CU	1	19194807
H	19282072	CONTROLLER COMMUNICATION DECORATIVE	1	19194807

**CU-ID                                      CU-REF                                      CU-DESCRIPTION**

DECTLBLKMH100W208V                                      19193007                                      DEC TOWN LAKE BLK MH 100W 208V

ID	PART NUM	PART DESC	QTY	CU-REF
1	0000018721	ST LIGHT DEC TOWN LAKE BLK MH 100W 208V ASSY	1 EA	19193007
2	0000008496	WASHER SLPA FLAT HOT DIP GALV FOR 1 INCH BOLT	4 EA	19193007

ID	PART NUM	PART DESC	QTY	CU-REF
----	----------	-----------	-----	--------

DECTLBLKPOLE                                      19193250                                      DEC TOWN LAKE BLK POLE

ID	PART NUM	PART DESC	QTY	CU-REF
1	0000023633	POLE DECORATIVE FOR LED POST TOP BLACK, TOWN LAKE LED	1 EA	19193250
2	0000008496	WASHER SLPA FLAT HOT DIP GALV FOR 1 INCH BOLT	4 EA	19193250

**MU-ID                                      MU-REF                                      MU-DESCRIPTION**

TLBLK250WMH208V                                      19194808                                      TOWN LAKE BLK 250W MH 208V

ID	CU-REF	CU-DESC	QTY	MU-REF
A	19193008	DEC TOWN LAKE BLK MH 250W 208V	1	19194808
B	19287003	CLAMP COMPRESSION CU #10 TO #12	6	19194808
C	19284520	MIDGET FUSE 5 AMP 600V AC	2	19194808
D	19284505	FUSE HOLDER BREAKAWAY 1IN AND 1OUT	2	19194808
E	12080402	WIRE # 12 CU 2C W/GRD	20	19194808
F	19282004	LAMP MTL HALIDE MOGUL BASE 250W	1	19194808
G	12450411	CONN SPLIT BOLT 6 SOLID CU	1	19194808
H	19282072	CONTROLLER COMMUNICATION DECORATIVE	1	19194808

**CU-ID                                      CU-REF                                      CU-DESCRIPTION**

<b>1919-48</b>	<b>STREETLIGHTS</b>	
Sheet 7 of 25	<b>DECORATIVE MAINTENANCE STREETLIGHT</b>	
	<b>TOWN LAKE</b>	
		Rev: 08/01/20

DECTLBLKMH250W208V                      19193008                      DEC TOWN LAKE BLK MH 250W 208V

ID	PART NUM	PART DESC	QTY	EA	CU-REF
1	0000018723	ST LIGHT DEC TOWN LAKE BLK MH 250W 208V ASSY	1	EA	19193008
2	0000008496	WASHER SLPA FLAT HOT DIP GALV FOR 1 INCH BOLT	4	EA	19193008

ID	PART NUM	PART DESC	QTY	EA	CU-REF
----	----------	-----------	-----	----	--------

DECTLBLKPOLE                      19193250                      DEC TOWN LAKE BLK POLE

ID	PART NUM	PART DESC	QTY	EA	CU-REF
1	0000023633	POLE DECORATIVE FOR LED POST TOP BLACK, TOWN LAKE LED	1	EA	19193250
2	0000008496	WASHER SLPA FLAT HOT DIP GALV FOR 1 INCH BOLT	4	EA	19193250

**MU-ID    MU-REF    MU-DESCRIPTION**

TLBLK100WHPS240V                      19194809                      TOWN LAKE BLK 100W HPS 240V

ID	CU-REF	CU-DESC	QTY	MU-REF
A	19193009	DEC TOWN LAKE BLK HPS 100W 240V	1	19194809
B	19287003	CLAMP COMPRESSION CU #10 TO #12	6	19194809
C	19284520	MIDGET FUSE 5 AMP 600V AC	2	19194809
D	19284505	FUSE HOLDER BREAKAWAY 1IN AND 1OUT	2	19194809
E	12080402	WIRE # 12 CU 2C W/GRD	20	19194809
F	19282012	LAMP HPS MOGUL BASE 100W	1	19194809
G	12450411	CONN SPLIT BOLT 6 SOLID CU	1	19194809
H	19282072	CONTROLLER COMMUNICATION DECORATIVE	1	19194809

**CU-ID    CU-REF    CU-DESCRIPTION**

DECTLBLKHPS100W240V                      19193009                      DEC TOWN LAKE BLK HPS 100W 240V

ID	PART NUM	PART DESC	QTY	EA	CU-REF
1	0000018717	ST LIGHT DEC TOWN LAKE BLK HPS 100W 240V ASSY	1	EA	19193009
2	0000008496	WASHER SLPA FLAT HOT DIP GALV FOR 1 INCH BOLT	4	EA	19193009

ID	PART NUM	PART DESC	QTY	EA	CU-REF
----	----------	-----------	-----	----	--------

DECTLBLKPOLE                      19193250                      DEC TOWN LAKE BLK POLE

ID	PART NUM	PART DESC	QTY	EA	CU-REF
1	0000023633	POLE DECORATIVE FOR LED POST TOP BLACK, TOWN LAKE LED	1	EA	19193250
2	0000008496	WASHER SLPA FLAT HOT DIP GALV FOR 1 INCH BOLT	4	EA	19193250



Rev: 08/01/20

# STREETLIGHTS DECORATIVE MAINTENANCE STREETLIGHT TOWN LAKE

1919-48

Sheet 8 of 25

### MU-ID

### MU-REF

### MU-DESCRIPTION

TLBLK250WHPS240V

19194810

TOWN LAKE BLK 250W HPS 240V

ID	CU-REF	CU-DESC	QTY	MU-REF
A	19193010	DEC TOWN LAKE BLK HPS 250W 240V	1	19194810
B	19287003	CLAMP COMPRESSION CU #10 TO #12	6	19194810
C	19284520	MIDGET FUSE 5 AMP 600V AC	2	19194810
D	19284505	FUSE HOLDER BREAKAWAY 1IN AND 1OUT	2	19194810
E	12080402	WIRE # 12 CU 2C W/GRD	20	19194810
F	19282014	LAMP HPS MOGUL BASE 250W	1	19194810
G	12450411	CONN SPLIT BOLT 6 SOLID CU	1	19194810
H	19282072	CONTROLLER COMMUNICATION DECORATIVE	1	19194810

### CU-ID

### CU-REF

### CU-DESCRIPTION

DECTLBLKHPS250W240V

19193010

DEC TOWN LAKE BLK HPS 250W 240V

ID	PART NUM	PART DESC	QTY	CU-REF
1	0000018720	ST LIGHT DEC TOWN LAKE BLK HPS 250W 240V ASSY	1 EA	19193010
2	0000008496	WASHER SLPA FLAT HOT DIP GALV FOR 1 INCH BOLT	4 EA	19193010

DECTLBLKFIX250WHPS240V

19193210

DEC TOWN LAKE BLK FIX 250W HPS 240V

ID	PART NUM	PART DESC	QTY	CU-REF
1	0000018778	ST LIGHT DEC TOWN LAKE BLK FIXTURE 250W HPS 240V	1 EA	19193210

DECTLBLKPOLE

19193250

DEC TOWN LAKE BLK POLE

ID	PART NUM	PART DESC	QTY	CU-REF
1	0000023633	POLE DECORATIVE FOR LED POST TOP BLACK, TOWN LAKE LED	1 EA	19193250
2	0000008496	WASHER SLPA FLAT HOT DIP GALV FOR 1 INCH BOLT	4 EA	19193250

### MU-ID

### MU-REF

### MU-DESCRIPTION

TLBLK100WMH240V

19194811

TOWN LAKE BLK 100W MH 240V

ID	CU-REF	CU-DESC	QTY	MU-REF
A	19193011	DEC TOWN LAKE BLK MH 100W 240V	1	19194811
B	19287003	CLAMP COMPRESSION CU #10 TO #12	6	19194811
C	19284520	MIDGET FUSE 5 AMP 600V AC	2	19194811
D	19284505	FUSE HOLDER BREAKAWAY 1IN AND 1OUT	2	19194811
E	12080402	WIRE # 12 CU 2C W/GRD	20	19194811
F	19282002	LAMP MTL HALIDE MOGUL BASE 100W	1	19194811
G	12450411	CONN SPLIT BOLT 6 SOLID CU	1	19194811
H	19282072	CONTROLLER COMMUNICATION DECORATIVE	1	19194811

<b>1919-48</b>	<b>STREETLIGHTS</b>	
Sheet 9 of 25	<b>DECORATIVE MAINTENANCE STREETLIGHT</b>	
	<b>TOWN LAKE</b>	
		Rev: 08/01/20

<b>CU-ID</b>	<b>CU-REF</b>	<b>CU-DESCRIPTION</b>
--------------	---------------	-----------------------

DECTLBLKMH100W240V	19193011	DEC TOWN LAKE BLK MH 100W 240V
--------------------	----------	--------------------------------

ID	PART NUM	PART DESC	QTY	CU-REF
1	0000018722	ST LIGHT DEC TOWN LAKE BLK MH 100W 240V ASSY	1 EA	19193011
2	0000008496	WASHER SLPA FLAT HOT DIP GALV FOR 1 INCH BOLT	4 EA	19193011

ID	PART NUM	PART DESC	QTY	CU-REF
----	----------	-----------	-----	--------

DECTLBLKPOLE	19193250	DEC TOWN LAKE BLK POLE
--------------	----------	------------------------

ID	PART NUM	PART DESC	QTY	CU-REF
1	0000023633	POLE DECORATIVE FOR LED POST TOP BLACK, TOWN LAKE LED	1 EA	19193250
2	0000008496	WASHER SLPA FLAT HOT DIP GALV FOR 1 INCH BOLT	4 EA	19193250

<b>MU-ID</b>	<b>MU-REF</b>	<b>MU-DESCRIPTION</b>
--------------	---------------	-----------------------

TLBLK250WMH240V	19194812	TOWN LAKE BLK 250W MH 240V
-----------------	----------	----------------------------

ID	CU-REF	CU-DESC	QTY	MU-REF
A	19193012	DEC TOWN LAKE BLK MH 250W 240V	1	19194812
B	19287003	CLAMP COMPRESSION CU #10 TO #12	6	19194812
C	19284520	MIDGET FUSE 5 AMP 600V AC	2	19194812
D	19284505	FUSE HOLDER BREAKAWAY 1IN AND 1OUT	2	19194812
E	12080402	WIRE # 12 CU 2C W/GRD	20	19194812
F	19282004	LAMP MTL HALIDE MOGUL BASE 250W	1	19194812
G	12450411	CONN SPLIT BOLT 6 SOLID CU	1	19194812
H	19282072	CONTROLLER COMMUNICATION DECORATIVE	1	19194812

<b>CU-ID</b>	<b>CU-REF</b>	<b>CU-DESCRIPTION</b>
--------------	---------------	-----------------------

DECTLBLKMH250W240V	19193012	DEC TOWN LAKE BLK MH 250W 240V
--------------------	----------	--------------------------------

ID	PART NUM	PART DESC	QTY	CU-REF
1	0000018715	ST LIGHT DEC TOWN LAKE BLK MH 250W 240V ASSY	1 EA	19193012
2	0000008496	WASHER SLPA FLAT HOT DIP GALV FOR 1 INCH BOLT	4 EA	19193012

ID	PART NUM	PART DESC	QTY	CU-REF
----	----------	-----------	-----	--------

DECTLBLKPOLE	19193250	DEC TOWN LAKE BLK POLE
--------------	----------	------------------------

ID	PART NUM	PART DESC	QTY	CU-REF
1	0000023633	POLE DECORATIVE FOR LED POST TOP BLACK, TOWN LAKE LED	1 EA	19193250
2	0000008496	WASHER SLPA FLAT HOT DIP GALV FOR 1 INCH BOLT	4 EA	19193250







 Rev: 08/01/20	<b>STREETLIGHTS</b> DECORATIVE MAINTENANCE STREETLIGHT <b>TOWN LAKE</b>	<b>1919-48</b> Sheet 12 of 25

<b>MU-ID</b>	<b>MU-REF</b>	<b>MU-DESCRIPTION</b>
--------------	---------------	-----------------------

TLBRN250WMH120V	19194816	TOWN LAKE BRN 250W MH 120V
-----------------	----------	----------------------------

ID	CU-REF	CU-DESC	QTY	MU-REF
A	19193016	DEC TOWN LAKE BRN MH 250W 120V	1	19194816
B	19287003	CLAMP COMPRESSION CU #10 TO #12	3	19194816
C	19284520	MIDGET FUSE 5 AMP 600V AC	1	19194816
D	19284505	FUSE HOLDER BREAKAWAY 1IN AND 1OUT	1	19194816
E	12080402	WIRE # 12 CU 2C W/GRD	20	19194816
F	19282004	LAMP MTL HALIDE MOGUL BASE 250W	1	19194816
G	12450411	CONN SPLIT BOLT 6 SOLID CU	1	19194816
H	19282072	CONTROLLER COMMUNICATION DECORATIVE	1	19194816

<b>CU-ID</b>	<b>CU-REF</b>	<b>CU-DESCRIPTION</b>
--------------	---------------	-----------------------

DECTLBRNMH250W120V	19193016	DEC TOWN LAKE BRN MH 250W 120V
--------------------	----------	--------------------------------

ID	PART NUM	PART DESC	QTY	CU-REF
1	0000018734	ST LIGHT DEC TOWN LAKE MH 250W 120V BROWN ASSY	1 EA	19193016
2	0000008496	WASHER SLPA FLAT HOT DIP GALV FOR 1 INCH BOLT	4 EA	19193016

DECTLBRNFX250WMH120V	19193216	DEC TOWN LAKE BRN FIX 250W MH 120V
----------------------	----------	------------------------------------

ID	PART NUM	PART DESC	QTY	CU-REF
1	0000018794	ST LIGHT DEC TOWN LAKE BRN FIXTURE 250W MH 120V	1 EA	19193216

DECTLBRNPOLE	19193251	DEC TOWN LAKE BRN POLE
--------------	----------	------------------------

ID	PART NUM	PART DESC	QTY	CU-REF
1	0000023634	POLE DECORATIVE FOR LED POST TOP BRONZE, TOWN LAKE LED	1 EA	19193251
2	0000008496	WASHER SLPA FLAT HOT DIP GALV FOR 1 INCH BOLT	4 EA	19193251

<b>MU-ID</b>	<b>MU-REF</b>	<b>MU-DESCRIPTION</b>
--------------	---------------	-----------------------

TLBRN100WHPS208V	19194817	TOWN LAKE BRN 100W HPS 208V
------------------	----------	-----------------------------

ID	CU-REF	CU-DESC	QTY	MU-REF
A	19193017	DEC TOWN LAKE BRN HPS 100W 208V	1	19194817
B	19287003	CLAMP COMPRESSION CU #10 TO #12	6	19194817
C	19284520	MIDGET FUSE 5 AMP 600V AC	2	19194817
D	19284505	FUSE HOLDER BREAKAWAY 1IN AND 1OUT	2	19194817
E	12080402	WIRE # 12 CU 2C W/GRD	20	19194817
F	19282012	LAMP HPS MOGUL BASE 100W	1	19194817
G	12450411	CONN SPLIT BOLT 6 SOLID CU	1	19194817
H	19282072	CONTROLLER COMMUNICATION DECORATIVE	1	19194817



	<b>STREETLIGHTS</b> <b>DECORATIVE MAINTENANCE STREETLIGHT</b> <b>TOWN LAKE</b>	<b>1919-48</b> Sheet 14 of 25
	Rev: 08/01/20	

**MU- ID MU- REF MU- DESCRIPTION**

TLBRN100WMH208V 19194819 TOWN LAKE BRN 100W MH 208V

ID	CU- REF	CU- DESC	QTY	MU- REF
A	19193019	DEC TOWN LAKE BRN MH 100W 208V	1	19194819
B	19287003	CLAMP COMPRESSION CU #10 TO #12	6	19194819
C	19284520	MIDGET FUSE 5 AMP 600V AC	2	19194819
D	19284505	FUSE HOLDER BREAKAWAY 1IN AND 1OUT	2	19194819
E	12080402	WIRE # 12 CU 2C W/GRD	20	19194819
F	19282002	LAMP MTL HALIDE MOGUL BASE 100W	1	19194819
G	12450411	CONN SPLIT BOLT 6 SOLID CU	1	19194819
H	19282072	CONTROLLER COMMUNICATION DECORATIVE	1	19194819

**CU- ID CU- REF CU- DESCRIPTION**

DECTLBRNMH100W208V 19193019 DEC TOWN LAKE BRN MH 100W 208V

ID	PART NUM	PART DESC	QTY	CU- REF
1	0000018732	ST LIGHT DEC TOWN LAKE MH 100W 208V BROWN ASSY	1 EA	19193019
2	0000008496	WASHER SLPA FLAT HOT DIP GALV FOR 1 INCH BOLT	4 EA	19193019

DECTLBRNFX100WMH208V 19193219 DEC TOWN LAKE BRN FIX 100W MH 208V

ID	PART NUM	PART DESC	QTY	CU- REF
1	0000018789	ST LIGHT DEC TOWN LAKE BRN FIXTURE 100W MH 208V	1 EA	19193219

DECTLBRNPOLE 19193251 DEC TOWN LAKE BRN POLE

ID	PART NUM	PART DESC	QTY	CU- REF
1	0000023634	POLE DECORATIVE FOR LED POST TOP BRONZE, TOWN LAKE LED	1 EA	19193251
2	0000008496	WASHER SLPA FLAT HOT DIP GALV FOR 1 INCH BOLT	4 EA	19193251

**MU- ID MU- REF MU- DESCRIPTION**

TLBRN250WMH208V 19194820 TOWN LAKE BRN 250W MH 208V

ID	CU- REF	CU- DESC	QTY	MU- REF
A	19193020	DEC TOWN LAKE BRN MH 250W 208V	1	19194820
B	19287003	CLAMP COMPRESSION CU #10 TO #12	6	19194820
C	19284520	MIDGET FUSE 5 AMP 600V AC	2	19194820
D	19284505	FUSE HOLDER BREAKAWAY 1IN AND 1OUT	2	19194820
E	12080402	WIRE # 12 CU 2C W/GRD	20	19194820
F	19282004	LAMP MTL HALIDE MOGUL BASE 250W	1	19194820
G	12450411	CONN SPLIT BOLT 6 SOLID CU	1	19194820
H	19282072	CONTROLLER COMMUNICATION DECORATIVE	1	19194820



	<b>STREETLIGHTS</b> <b>DECORATIVE MAINTENANCE STREETLIGHT</b> <b>TOWN LAKE</b>	<b>1919-48</b> Sheet 16 of 25
	Rev: 08/01/20	

**MU- ID                                      MU- REF                                      MU- DESCRIPTION**

TLBRN250WHPS240V                      19194822                      TOWN LAKE BRN 250W HPS 240V

ID	CU-REF	CU-DESC	QTY	MU-REF
A	19193022	DEC TOWN LAKE BRN HPS 250W 240V	1	19194822
B	19287003	CLAMP COMPRESSION CU #10 TO #12	6	19194822
C	19284520	MIDGET FUSE 5 AMP 600V AC	2	19194822
D	19284505	FUSE HOLDER BREAKAWAY 1IN AND 1OUT	2	19194822
E	12080402	WIRE # 12 CU 2C W/GRD	20	19194822
F	19282014	LAMP HPS MOGUL BASE 250W	1	19194822
G	12450411	CONN SPLIT BOLT 6 SOLID CU	1	19194822
H	19282072	CONTROLLER COMMUNICATION DECORATIVE	1	19194822

**CU- ID                                      CU- REF                                      CU- DESCRIPTION**

DECTLBRNHPS250W240V                      19193022                      DEC TOWN LAKE BRN HPS 250W 240V

ID	PART NUM	PART DESC	QTY	CU-REF
1	0000018730	ST LIGHT DEC TOWN LAKE HPS 250W 240V BROWN ASSY	1 EA	19193022
2	0000008496	WASHER SLPA FLAT HOT DIP GALV FOR 1 INCH BOLT	4 EA	19193022

DECTLBRNFX250WHPS240V                      19193222                      DEC TOWN LAKE BRN FIX 250W HPS 240V

ID	PART NUM	PART DESC	QTY	CU-REF
1	0000018793	ST LIGHT DEC TOWN LAKE BRN FIXTURE 250W HPS 240V	1 EA	19193222

DECTLBRNPOLE                              19193251                      DEC TOWN LAKE BRN POLE

ID	PART NUM	PART DESC	QTY	CU-REF
1	0000023634	POLE DECORATIVE FOR LED POST TOP BRONZE, TOWN LAKE LED	1 EA	19193251
2	0000008496	WASHER SLPA FLAT HOT DIP GALV FOR 1 INCH BOLT	4 EA	19193251

**MU- ID                                      MU- REF                                      MU- DESCRIPTION**

TLBRN100WMH240V                      19194823                      TOWN LAKE BRN 100W MH 240V

ID	CU-REF	CU-DESC	QTY	MU-REF
A	19193023	DEC TOWN LAKE BRN MH 100W 240V	1	19194823
B	19287003	CLAMP COMPRESSION CU #10 TO #12	6	19194823
C	19284520	MIDGET FUSE 5 AMP 600V AC	2	19194823
D	19284505	FUSE HOLDER BREAKAWAY 1IN AND 1OUT	2	19194823
E	12080402	WIRE # 12 CU 2C W/GRD	20	19194823
F	19282002	LAMP MTL HALIDE MOGUL BASE 100W	1	19194823
G	12450411	CONN SPLIT BOLT 6 SOLID CU	1	19194823
H	19282072	CONTROLLER COMMUNICATION DECORATIVE	1	19194823


















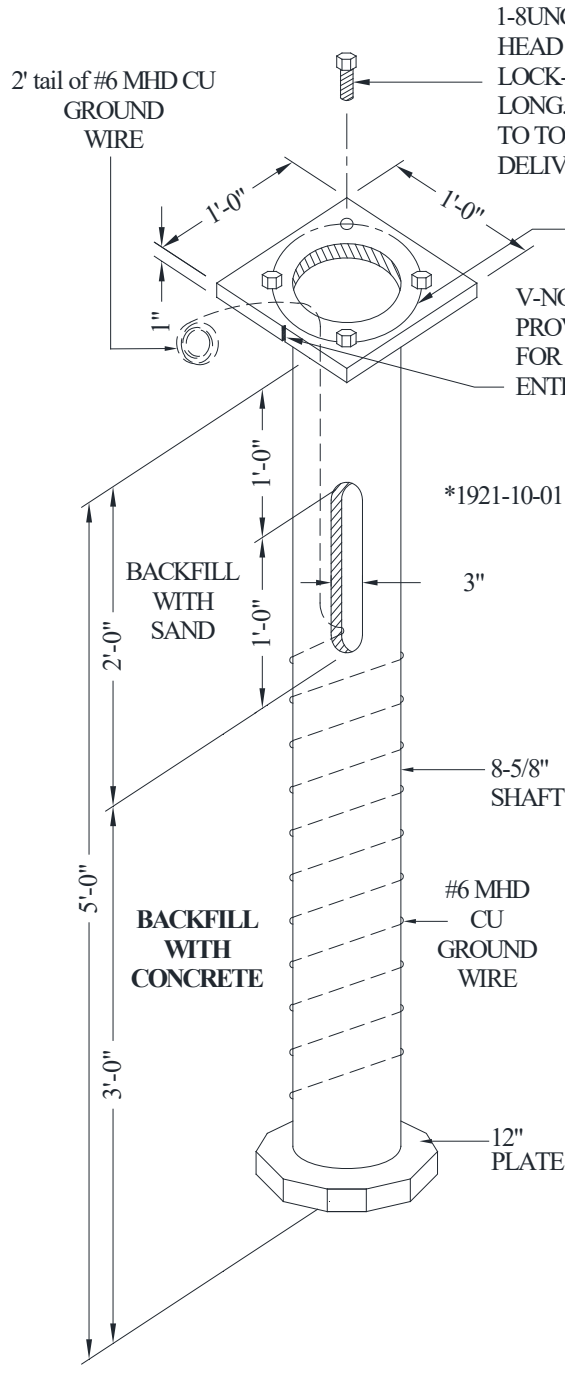






 Rev: 08/01/20	<b>STREETLIGHTS</b> <b>STREETLIGHT FOUNDATIONS</b> <b>FOUNDATION - 25/30FT</b>	<b>1921-10</b> Sheet 1 of 2

**1921 STREETLIGHT FOUNDATIONS**  
**1921-10 FOUNDATION - 25/30FT**



1-8UNC-2A BOLTS: HEX HEAD MACHINE WITH LOCK-WASHERS 2-1/2" LONG. TO BE ATTACHED TO TOP PLATE WHEN DELIVERED.

11" BOLT CIRCLE DRILLED & TAPPED

V-NOTCH SHALL BE PROVIDED IN TOP PLATE FOR WIREWAY ENTRANCE ORIENTATION

NOTES:

- 1. MATERIAL: HOT DIP GALVANIZED STEEL.
- 2. ALL WELDED SEAMS SHALL BE CONTINUOUS.
- 3. BOLTS SHALL BE INSTALLED IN CONNECTION PLATE WITH BOLT HEAD UP.
- 4. FOUNDATION PIER MAY BE CIRCULAR OR OCTAGONAL.
- 5. CORE DRILL HOLES 18".
- 6. SET FOUNDATION BEHIND CURB PER CONSTRUCTION PRINT DETAIL.
- 7. SET TOP PLATE OF FOUNDATION 1/4" RISER FROM TOP OF CURB IN R.O.W.
- 8. INSTALL BELL ENDS FLUSH WITH TOP PLATE.
- 9. INSTALL CONCRETE AROUND BASE FROM BOTTOM OF CORE DRILL HOLE TO BOTTOM OF PIPE WINDOW. CONCRETE SHALL BE 5 SACK, CLASS A, 3/4" TO 1-1/2" AGGREGATE.
- 10. FILL INSIDE BASE WITH SAND TO TOP PLATE.
- 11. WRAP FOUNDATION WITH 25' OF #6 MHD SOLID COPPER. INSERT #6 THROUGH CONDUIT WINDOW AND LEAVE 24" ABOVE TOP PLATE OF FOUNDATION.

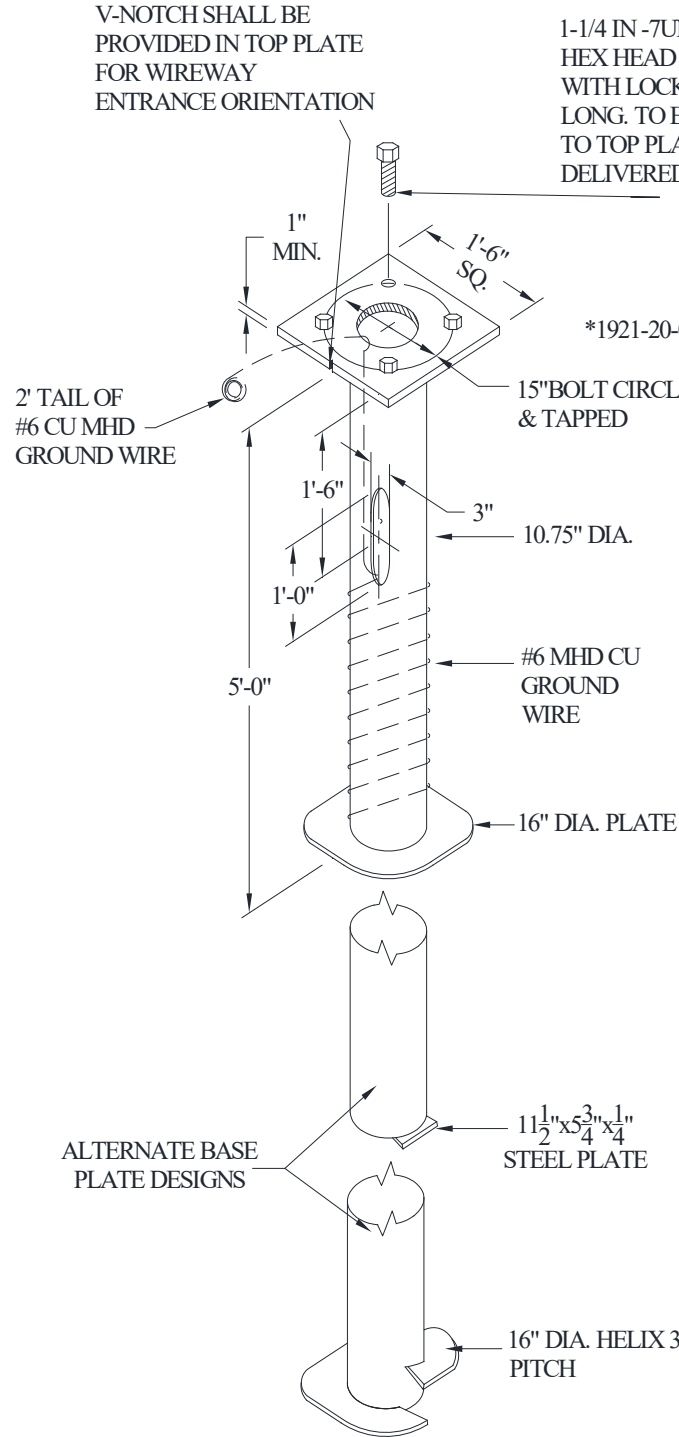
**SMALL STREETLIGHT FOUNDATION**  
 (FOR 25'-30' POLES)

<b>1921-10</b>	<b>STREETLIGHTS</b>	
Sheet 2 of 2	<b>STREETLIGHT FOUNDATIONS</b>	
	<b>FOUNDATION - 25/30FT</b>	Rev: 08/01/20

**CU**

<b>CU-ID</b>	<b>CU-REF</b>	<b>CU-Description</b>
FNDSTLPL25/30FTHDWA	19211001A	FND STL POLE 25/30 FT HAND DIG EAST
FNDSTLPL25/30FTHDW	19211001B	FND STL POLE 25/30 FT HAND DIG WEST
FNDSTLPL25/30FTMDE	19211001C	FND STL POLE 25/30 FT MACHINEDIG EAST
FNDSTLPL25/30FTMDW	19211001D	FND STL POLE 25/30 FT MACHINEDIG WEST


<b>ID</b>	<b>PART NUM</b>	<b>PART DESC</b>	<b>QTY</b>	<b>EA</b>	<b>CU-REF</b>
1	0000006743	SLPA FOUNDATION STL 8 IN X 5 FT	1	EA	19211001
2	0000004523	WIRE COP BARE MHD SOLID # 6 25LB/315/FT	25	EA	19211001



NOTES:

1. MATERIAL: HOT DIP GALVANIZED STEEL.
2. ALL WELDED SEAMS SHALL BE CONTINUOUS
3. BOLTS SHALL BE INSTALLED IN CONNECTION PLATE WITH BOLT HEAD UP.
4. FOUNDATION PIER MAY BE CIRCULAR OR OCTAGONAL.
5. CORE DRILL HOLES 18".
6. SET FOUNDATION BEHIND CURB PER CONSTRUCTION PRINT DETAIL.
7. SET TOP PLATE OF FOUNDATION 1/4" RISER FROM TOP OF CURB IN R.O.W.
8. INSTALL BELL ENDS FLUSH WITH TOP PLATE.
9. INSTALL CONCRETE AROUND BASE FROM BOTTOM OF CORE DRILL HOLE TO BOTTOM OF PIPE WINDOW.
10. FILL INSIDE BASE WITH SAND TO TOP PLATE.
11. WRAP FOUNDATION WITH 25' OF #6 MHD SOLID COPPER. INSERT #6 THROUGH CONDUIT WINDOW AND LEAVE 24" ABOVE TOP PLATE OF FOUNDATION.

LARGE STREETLIGHT FOUNDATION  
(FOR 35/45 FT Poles)

<b>1921-20</b>	<b>STREETLIGHTS</b>	
Sheet 2 of 2	<b>STREETLIGHT FOUNDATIONS</b>	
	<b>FOUNDATION 35/45FT</b>	Rev: 08/01/20

**CU**

<b>CU-ID</b>	<b>CU-REF</b>	<b>CU-Description</b>
FNDSTLPL35/45FTHTE	19212001A	FND STL POLE 35/45 FT HAND DIG EAST
FNDSTLPL35/45FTHDW	19212001B	FND STL POLE 35/45 FT HAND DIG WEST
FNDSTLPL35/45FTMDE	19212001C	FND STL POLE 35/45 FT MACHINE DIG EAST
FNDSTLPL35/45FTMDW	19212001D	FND STL POLE 35/45 FT MACHINE DIG WEST

<b>ID</b>	<b>PART NUM</b>	<b>PART DESC</b>	<b>QTY</b>	<b>EA</b>	<b>CU-REF</b>
1	0000006745	SLPA FOUNDATION STL 10-3/4 IN X 5 FT LARGE	1	EA	19212001
2	0000004523	WIRE COP BARE MHD SOLID # 6 25LB/315/FT	25	EA	19212001