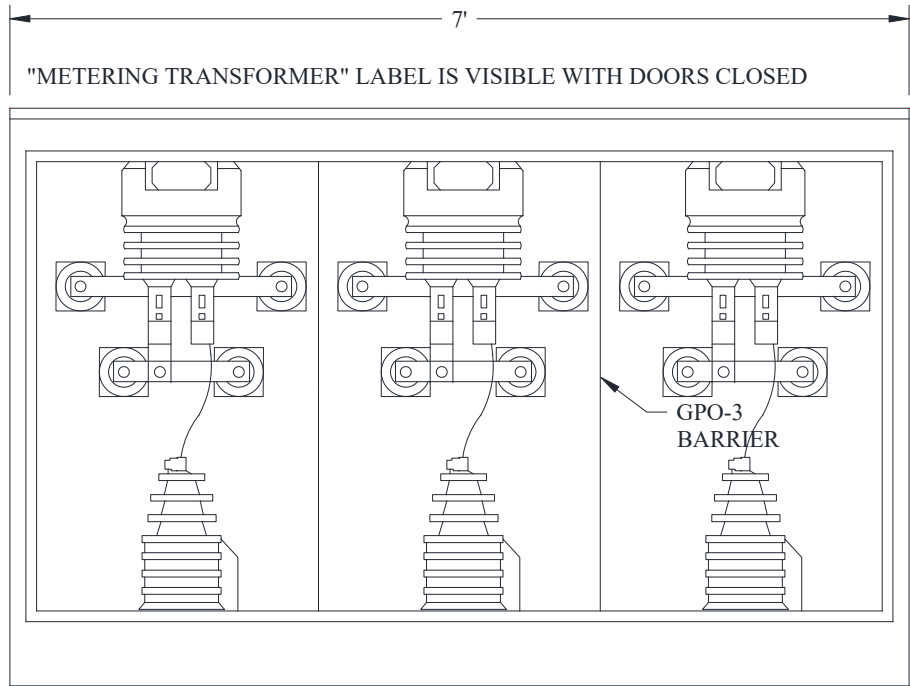
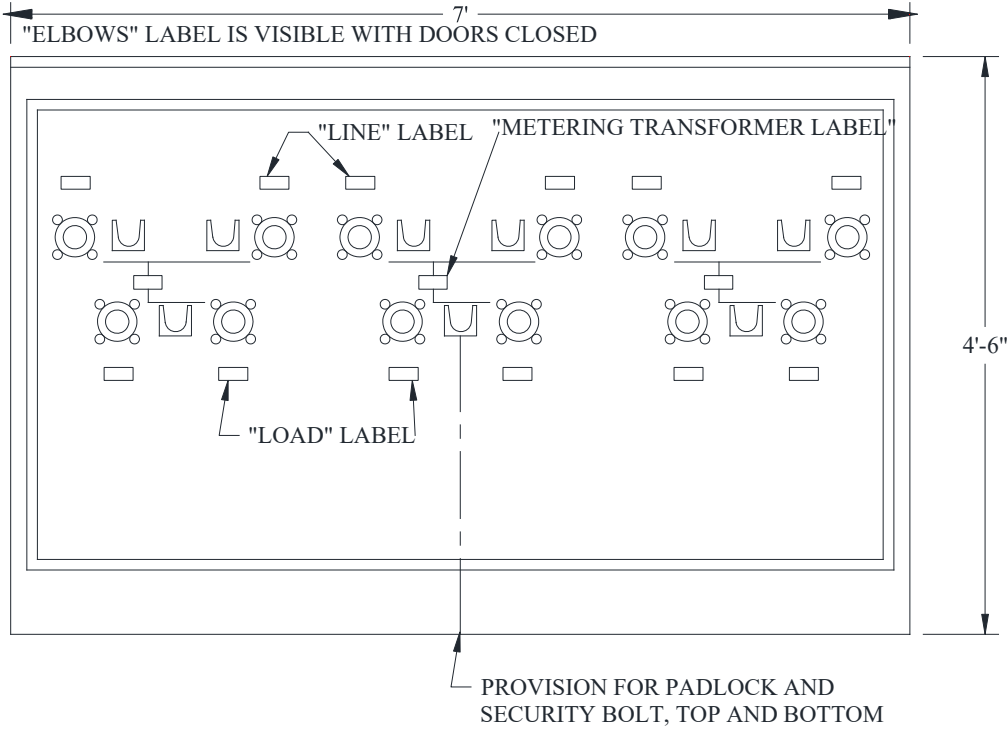
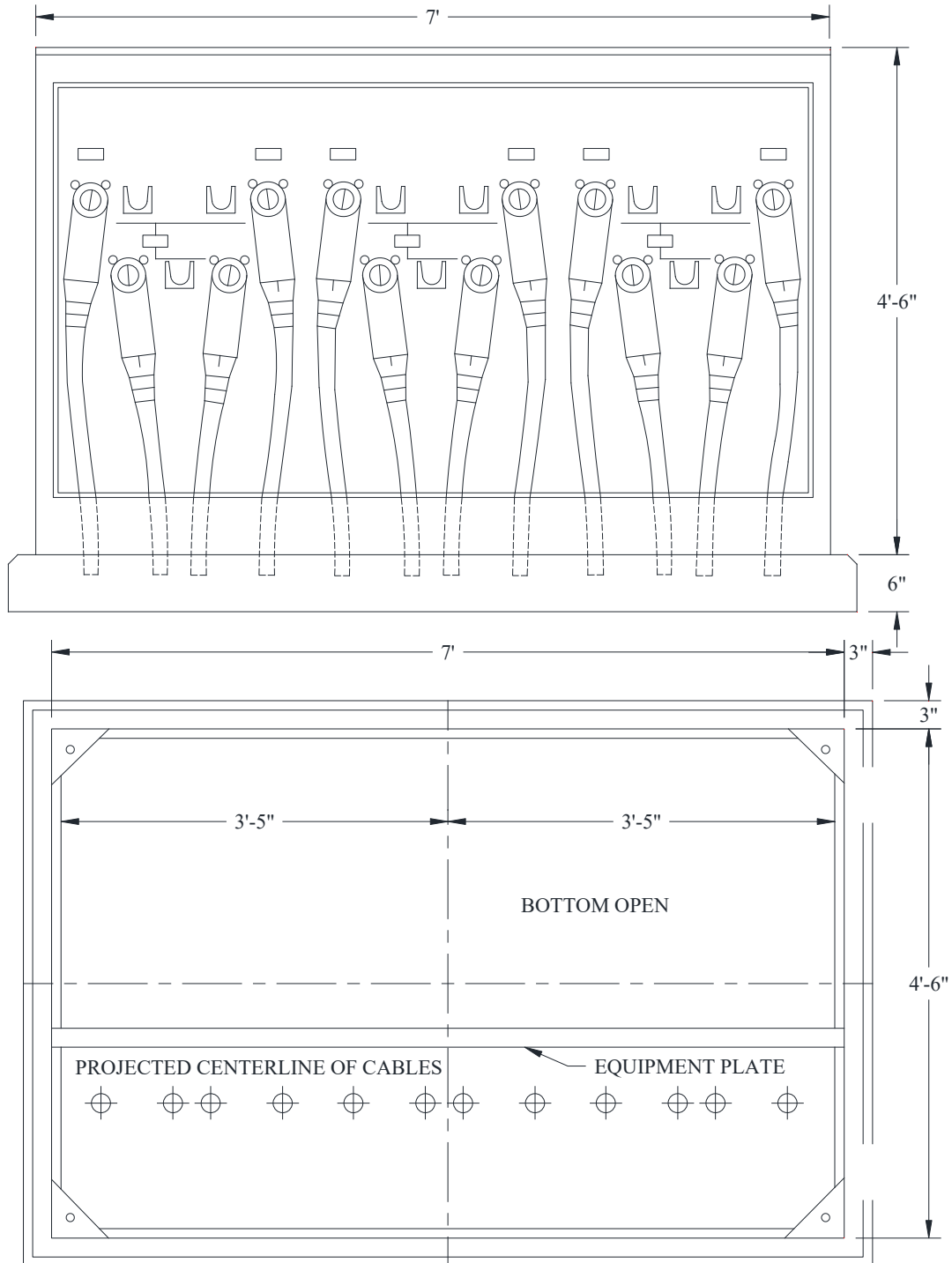



UNDERGROUND APPARATUS  
UNDERGROUND APPARATUS  
PRIMARY METERING STATION PG2





1568-19C	<p style="text-align: center;">UNDERGROUND APPARATUS UNDERGROUND APPARATUS PRIMARY METERING STATION PG3</p>	
Sheet 4 of 4		
		Rev: 07/01/20

**CU**

<b>CU-ID</b>	<b>CU-REF</b>	<b>CU-DESCRIPTION</b>
--------------	---------------	-----------------------

PRIMETSTA600A15KV	15681901	PRIMARY METERING STATION 600A 15KV
-------------------	----------	------------------------------------

ID	PART NUM	PART DESC	QTY	CU-REF
1	0000024231	CABINET PRIMARY METERING	1 EA	15681901